

# DVD HOME THEATER SOUND SYSTEM DVX-1000

## DVD RECEIVER/SUBWOOFER/SPEAKERS

## DVR-1000/NX-SW1000/NX-P1000

### SERVICE MANUAL

DVX-1000

- The DVX-1000 consists of the DVR-1000, NX-SW1000 and NX-P1000.
- When accepting a repair order from the user, it is recommended to receive DVR-1000, NX-SW1000 and NX-P1000 as a set for the repair work.
- DVX-1000は、DVR-1000、NX-SW1000 および NX-P1000 で構成されています。
- 修理依頼を受ける際、DVR-1000、NX-SW1000 および NX-P1000 を一緒にお預かりすることを推奨します。

#### IMPORTANT NOTICE

This manual has been provided for the use of authorized YAMAHA Retailers and their service personnel. It has been assumed that basic service procedures inherent to the industry, and more specifically YAMAHA Products, are already known and understood by the users, and have therefore not been restated.

**WARNING:** Failure to follow appropriate service and safety procedures when servicing this product may result in personal injury, destruction of expensive components, and failure of the product to perform as specified. For these reasons, we advise all YAMAHA product owners that any service required should be performed by an authorized YAMAHA Retailer or the appointed service representative.

**IMPORTANT:** The presentation or sale of this manual to any individual or firm does not constitute authorization, certification or recognition of any applicable technical capabilities, or establish a principle-agent relationship of any form.

The data provided is believed to be accurate and applicable to the unit(s) indicated on the cover. The research, engineering, and service departments of YAMAHA are continually striving to improve YAMAHA products. Modifications are, therefore, inevitable and specifications are subject to change without notice or obligation to retrofit. Should any discrepancy appear to exist, please contact the distributor's Service Division.

**WARNING:** Static discharges can destroy expensive components. Discharge any static electricity your body may have accumulated by grounding yourself to the ground buss in the unit (heavy gauge black wires connect to this buss).

**IMPORTANT:** Turn the unit OFF during disassembly and part replacement. Recheck all work before you apply power to the unit.

## CONTENTS

TO SERVICE PERSONNEL .....	2-3
PREVENTION OF ELECTROSTATIC DISCHARGE .....	4
LOCALE MANAGEMENT INFORMATION .....	4
SYSTEM COMPOSITION / システム構成 .....	5
FRONT PANELS .....	5-6
REAR PANELS .....	7-10
REMOTE CONTROL PANEL .....	11
SPECIFICATIONS / 参考仕様 .....	12-14
INTERNAL VIEW .....	15
DISASSEMBLY PROCEDURES / 分解手順 .....	16-20
PROTECTION INFORMATION DISPLAY / プロテクション情報の表示 .....	21-22

SELF-DIAGNOSIS FUNCTION / 自己診断機能 .....	23-30
AMP ADJUSTMENT .....	31
IC DATA .....	32-40
BLOCK DIAGRAMS .....	41-43
PIN CONNECTION DIAGRAM .....	44
PRINTED CIRCUIT BOARDS .....	45-58
SCHEMATIC DIAGRAMS .....	59-74
REPLACEMENT PARTS LIST .....	75-85
REMOTE CONTROL .....	86



このサービスマニュアルは、エコマーク認定の再生紙を使用しています。  
This Service Manual uses recycled paper.

101083

© 2008 YAMAHA CORPORATION. All rights reserved.  
This manual is copyrighted by YAMAHA and may not be copied or  
redistributed either in print or electronically without permission.



YAMAHA CORPORATION  
P.O.Box 1, Hamamatsu, Japan

EDM '08.03

## ■ TO SERVICE PERSONNEL

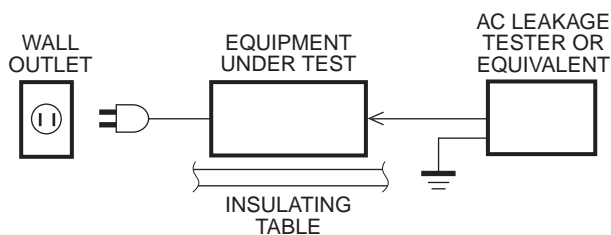
### 1. Critical Components Information

Components having special characteristics are marked  $\triangle$  and must be replaced with parts having specifications equal to those originally installed.

### 2. Leakage Current Measurement (For 120V Models Only)

When service has been completed, it is imperative to verify that all exposed conductive surfaces are properly insulated from supply circuits.

- Meter impedance should be equivalent to 1500 ohms shunted by 0.15 $\mu$ F.



- Leakage current must not exceed 0.5mA.
- Be sure to test for leakage with the AC plug in both polarities.

## WARNING: CHEMICAL CONTENT NOTICE!

The solder used in the production of this product contains LEAD. In addition, other electrical/electronic and/or plastic (where applicable) components may also contain traces of chemicals found by the California Health and Welfare Agency (and possibly other entities) to cause cancer and/or birth defects or other reproductive harm.

**DO NOT PLACE SOLDER, ELECTRICAL/ELECTRONIC OR PLASTIC COMPONENTS IN YOUR MOUTH FOR ANY REASON WHATSOEVER!**

Avoid prolonged, unprotected contact between solder and your skin! When soldering, do not inhale solder fumes or expose eyes to solder/flux vapor!

If you come in contact with solder or components located inside the enclosure of this product, wash your hands before handling food.

## About Lead Free Solder / 無鉛ハンダについて

All of the P.C.B.s installed in this unit and solder joints are soldered using the lead free solder.

Among some types of lead free solder currently available, it is recommended to use one of the following types for the repair work.

- Sn + Ag + Cu (tin + silver + copper)
- Sn + Cu (tin + copper)
- Sn + Zn + Bi (tin + zinc + bismuth)

### Caution:

As the melting point temperature of the lead free solder is about 30°C to 40°C (50°F to 70°F) higher than that of the lead solder, be sure to use a soldering iron suitable to each solder.

本機に搭載されているすべての基板およびハンダ付けによる接合部は無鉛ハンダでハンダ付けされています。

無鉛ハンダにはいくつかの種類がありますが、修理時には下記のような無鉛ハンダの使用を推奨します。

- Sn+Ag+Cu (錫+銀+銅)
- Sn+Cu (錫+銅)
- Sn+Zn+Bi (錫+亜鉛+ビスマス)

### 注意:

無鉛ハンダの融点温度は通常の鉛入りハンダに比べ30～40程度高くなっていますので、それぞれのハンダに合ったハンダごてをご使用ください。

## WARNING: Laser Safety

This product contains a laser beam component. This component may emit invisible, as well as visible radiation, which may cause eye damage. To protect your eyes and skin from laser radiation, the following precautions must be used during servicing of the unit.

- 1) When testing and/or repairing any component within the product, keep your eyes and skin more than 30 cm away from the laser pick-up unit at all times. Do not stare at the laser beam at any time.
- 2) Do not attempt to readjust, disassemble or repair the laser pick-up, unless noted elsewhere in this manual.
- 3) CAUTION : Use of controls, adjustments or performance of procedures other than those specified herein may result in hazardous radiation exposure.

## Laser Emitting conditions:

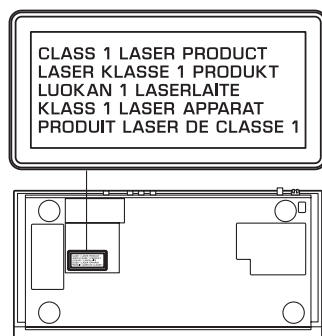
- 1) When the Top Cover is removed, and the STANDBY/ON SW is turned to the "ON" position, the laser component will emit a beam for several seconds to detect if a disc is present. During this time (5-10 sec.) the laser may radiate through the lens of the laser pick-up unit. Do not attempt any servicing during this period!  
If no disc is detected, the laser will stop emitting the beam. When a disc is loaded, you will not be exposed to any laser emissions.
- 2) The laser power level can be adjusted with the VR on the pick-up PWB, however, this level has been set by the factory prior to shipping from the factory. Do not adjust this laser level control unless instruction is provided elsewhere in this manual. Adjustment of this control can increase the laser emission level from the device.

## Laser Diode Properties

Type:	Semiconductor laser GaAlAs
Wave length:	650 nm (DVD) 784 nm (VCD/CD)
Output Power:	7 mW (DVD/VCD/CD)
Beam divergence:	60 degree

## WARNING

The use of optical instruments with this product will increase eye hazard.  
Repair handling should take place as much as possible with a disc loaded inside the player.



**CAUTION** VISIBLE AND INVISIBLE LASER RADIATION WHEN OPEN. AVOID EXPOSURE TO BEAM

**ADVARSEL** SYNLIG OG USYNLIG LASERSTRÅLING VED ÅBNING  
UNDGÅ UDSÆTTELSE FOR STRÅLING

**ADVARSEL** SYNLIG OG USYNLIG LASERSTRÅLING NÅR DEKSEL  
ÅPNES UNNGÅ EKSPONERING FOR STRÅLEN

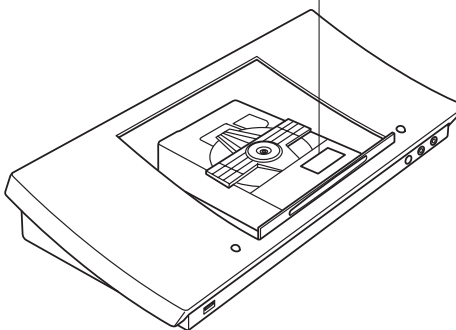
**VARNING** SYNLIG OCH OSYNLIG LASERSTRÅLNING NÅR  
DENNA DEL ÄR ÖPPNAD BETRAKTA EJ STRÅLEN

**VARO !** AVATTAESSA OLET ALTTIINA NÄKYVÄLLE JA  
NÄKYMÄTTÖMÄLLE LASER SÄTEILYLLE, ÄLÄ KATSO SÄTEESEEN

**VORSICHT** SICHTBARE UND UNSICHTBARE LASERSTRAHLUNG  
WENN ABDECKUNG GEÖFFNET NICHT DEM STRAHL AUSSETZEN

**DANGER** VISIBLE AND INVISIBLE LASER RADIATION WHEN  
OPEN AVOID DIRECT EXPOSURE TO BEAM

**ATTENTION** RAYONNEMENT LASER VISIBLE ET INVISIBLE EN  
CAS D'OUVERTURE EXPOSITION DANGEREUSE AU FAISCEAU



## Warning for power supply

The primary side of the power supply carries live mains voltage when the player is connected to the mains even when the player is switched off !

This primary area is not shielded so it is possible to touch copper tracks and/or components when servicing the player. Service personnel have to take precautions to prevent touching this area or components in this area.

### Note:

The screws on the DVD mechanism may never be touched, removed or re-adjusted.  
Handle the DVD mechanism with care when the unit has to be exchanged!  
The DVD mechanism is very sensitive for dropping or giving shocks.

## ■ PREVENTION OF ELECTROSTATIC DISCHARGE

The laser diode in the DVD mechanism may be damaged due to static electricity from clothes or the human body. Use caution to prevent electrostatic damage when servicing or handling the DVD-mechanism.

### 1. Grounding for electrostatic damage prevention

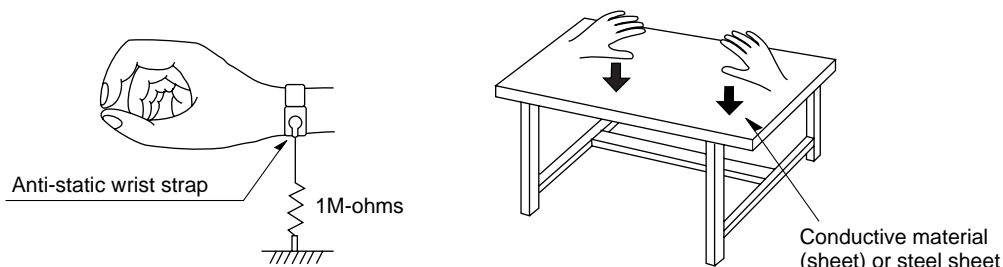
Some devices, such as the DVD player, use an optical pickup (laser diode) that will be damaged by static electricity in the working environment. Only attempt service after ensuring that all grounding procedures have been completed.

#### 1. Worktable grounding

Put a grounded conductive material (sheet) or iron sheet on the area where the optical pickup is placed.

#### 2. Human body grounding

Use an anti-static wrist strap to discharge the static electricity from your body.



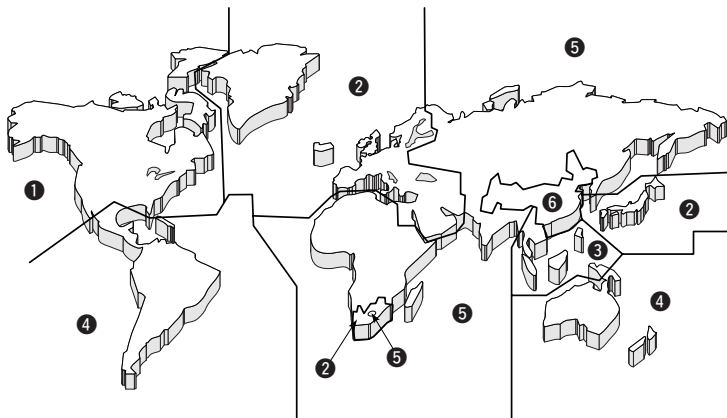
### 2. Handling Precautions for DVD mechanism

1. Handle the DVD mechanism gently, as it is an extremely high-precision assembly.
2. The flexible cable lines may break if an excessive force is applied to it. Use caution when handling the cable.
3. The semi-fixed resistor for laser power adjustment should not be adjusted. Do not turn the resistor.

## ■ LOCALE MANAGEMENT INFORMATION

Locale Management Information : This DVD player is designed and manufactured to respond to the Locale Management Information that is recorded on a DVD disc. If the Locale number described on the DVD disc does not correspond to the Locale number of this DVD player, this DVD player cannot play this disc.

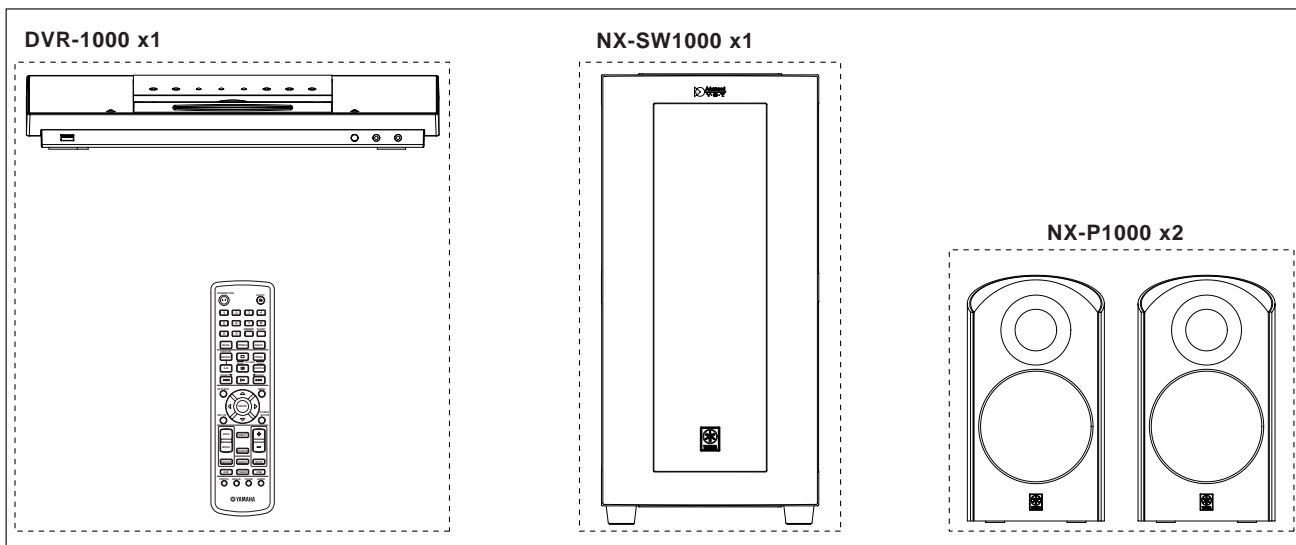
This product incorporates copyright protection technology that is protected by method claims of certain U.S. patents and other intellectual property rights owned by Macrovision Corporation and other rights owners. Use of this copyright protection technology must be authorized by Macrovision Corporation, and is intended for home and other limited viewing uses only unless otherwise authorized by Macrovision Corporation. Reverse engineering or disassembly is prohibited.



## SYSTEM COMPOSITION / システム構成

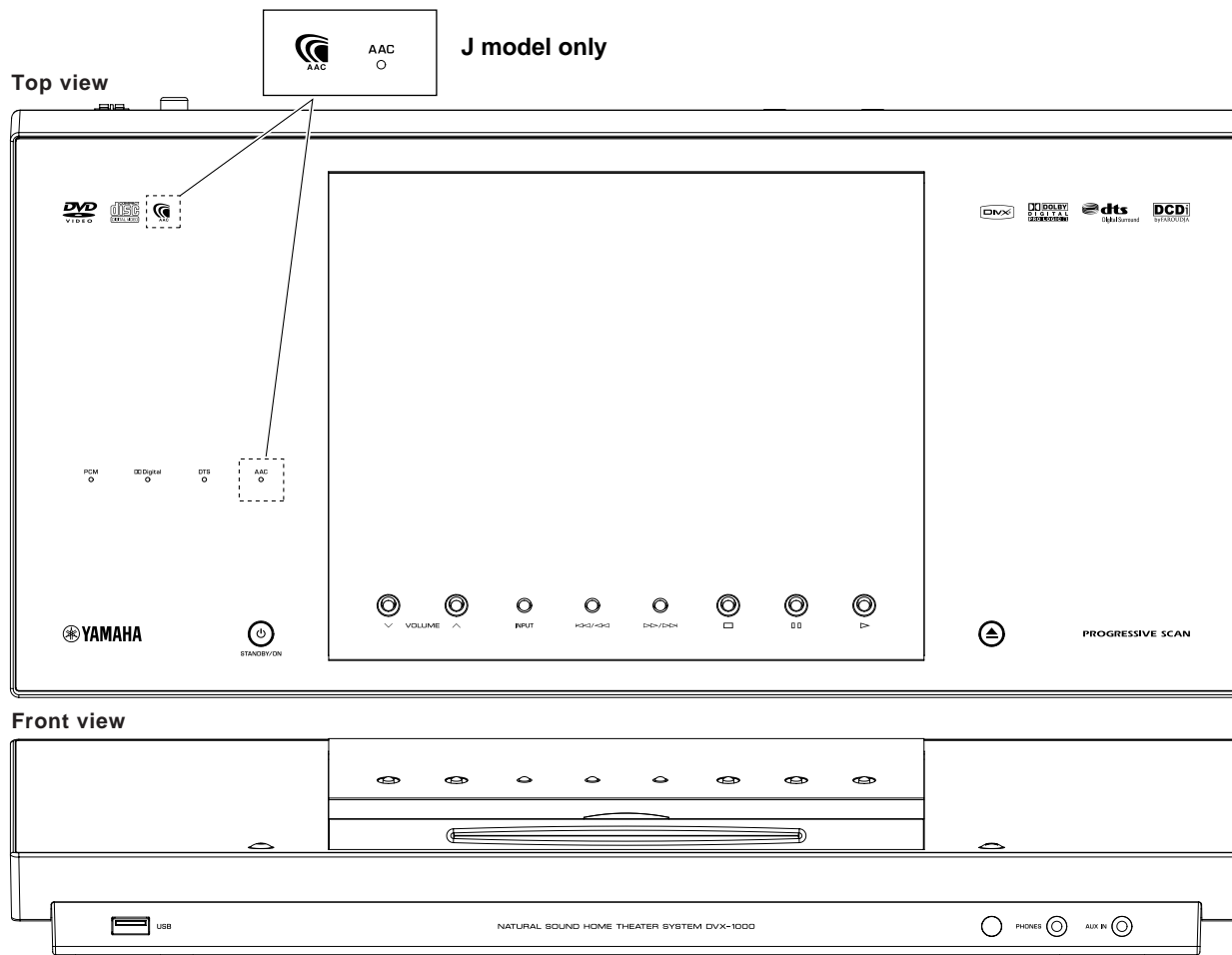
The DVX-1000 consists of the DVR-1000, NX-XSW1000 and NX-P1000.  
 DVX-1000は、DVR-1000、NX-SW1000 および NX-P1000 で構成されています。

### ▼ DVX-1000



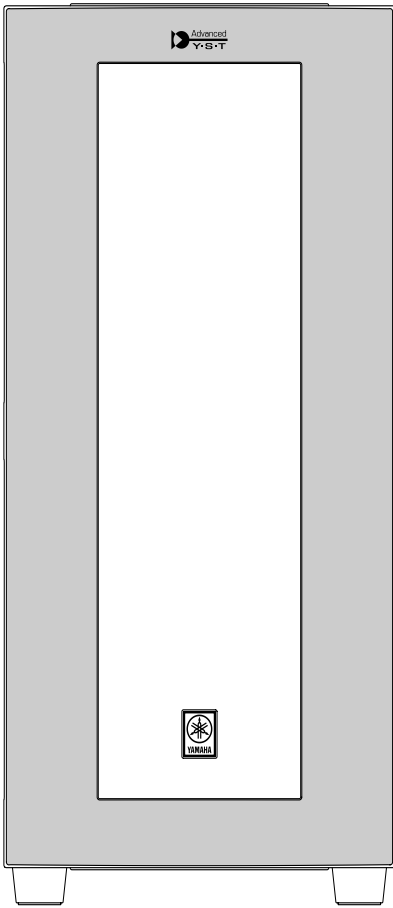
## FRONT PANELS

### DVR-1000

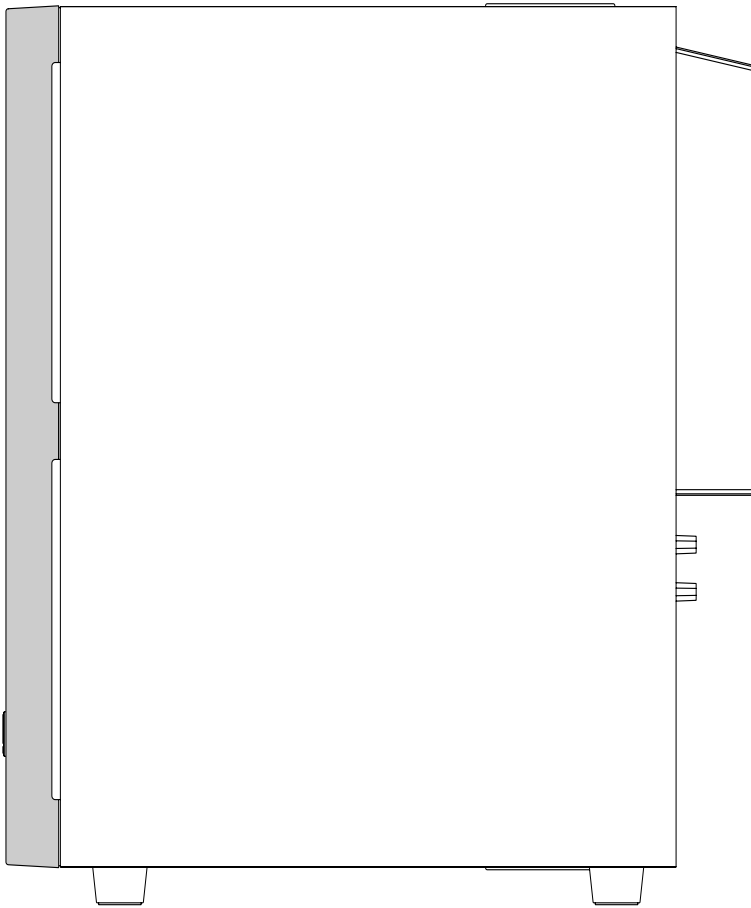


**NX-SW1000**

**Front view**

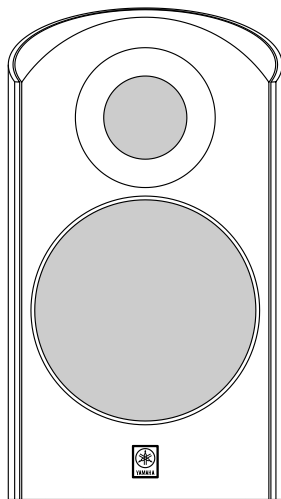


**Side view**

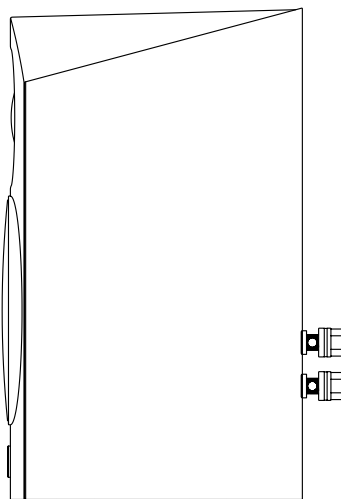


**NX-P1000**

**Front view**



**Side view**

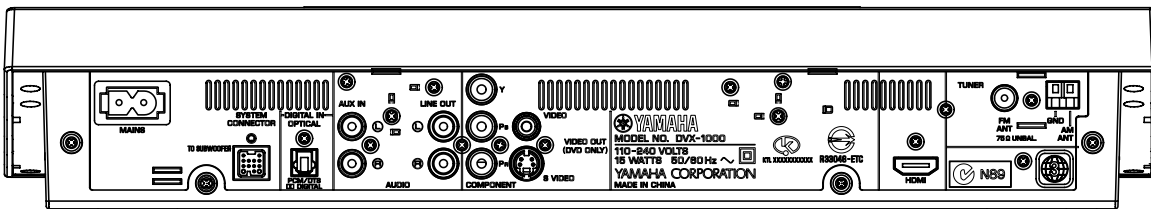


# REAR PANELS

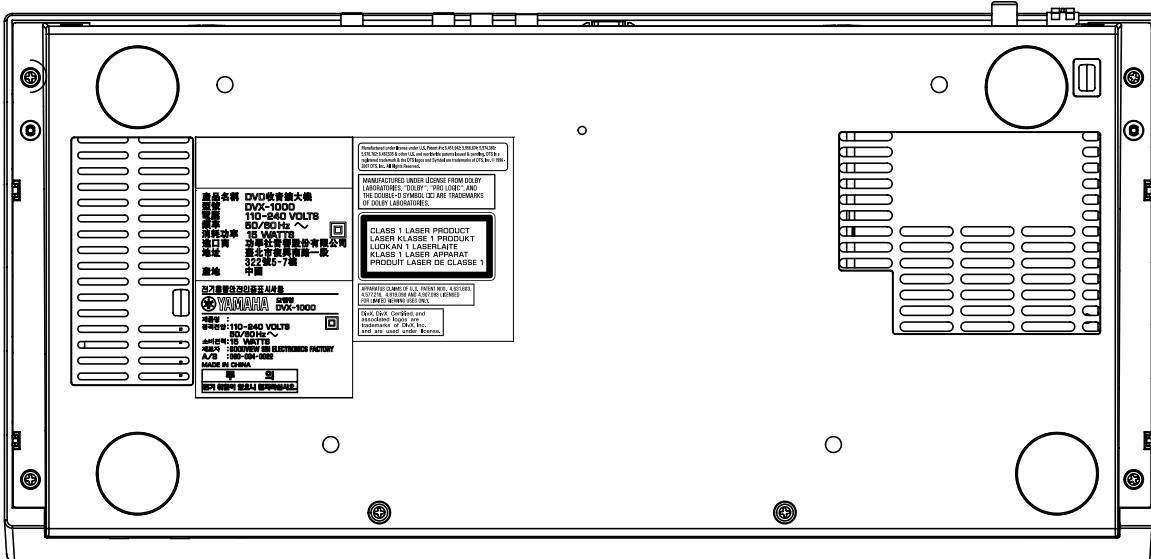
## DVR-1000

### ▼ R, K, A, L models

Rear view

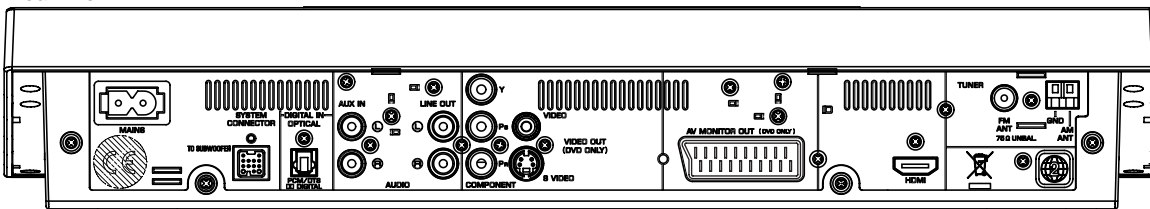


Bottom view

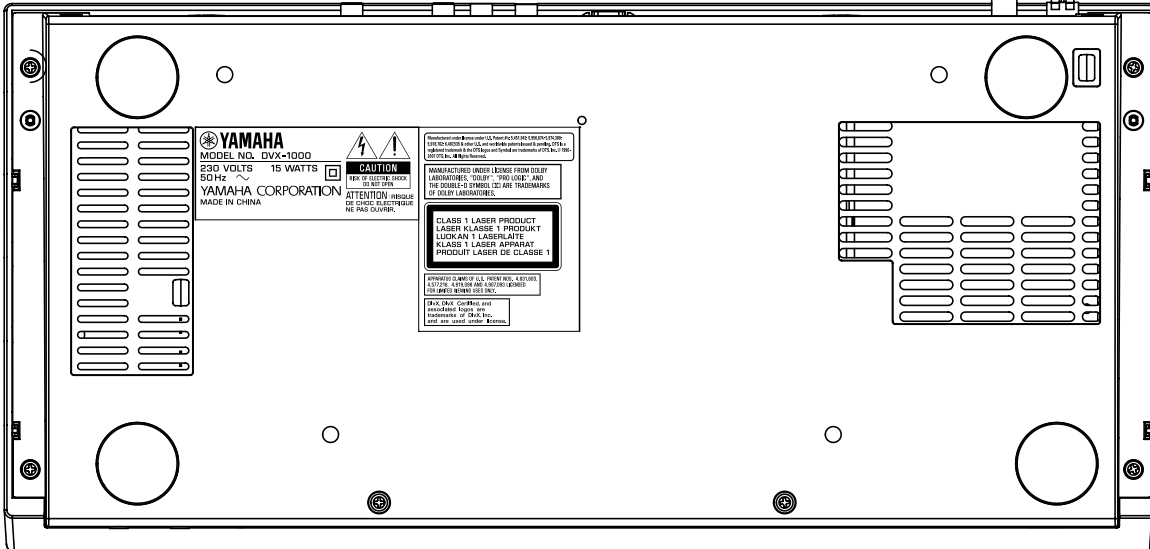


### ▼ G model

Rear view



Bottom view

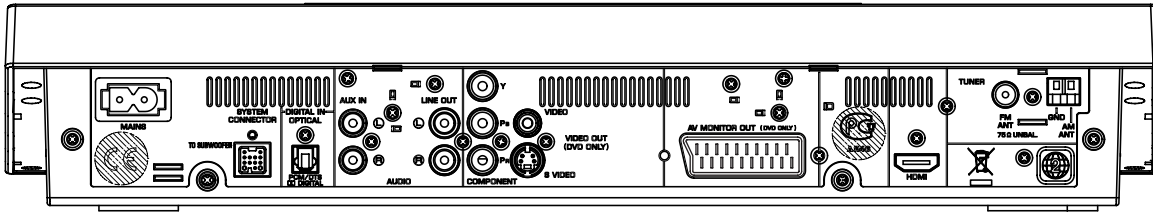


DVX-1000

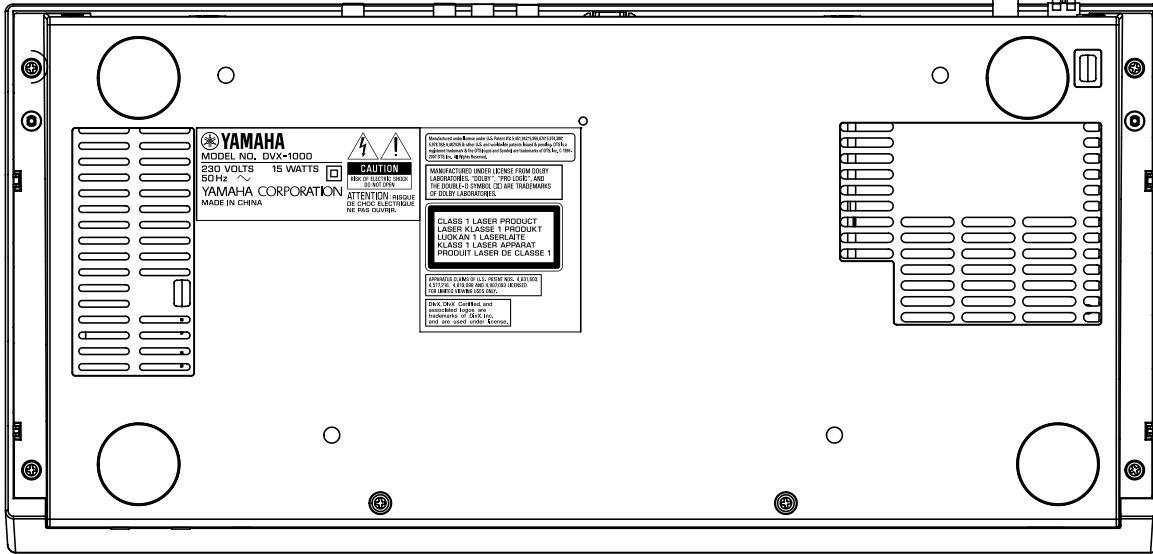
▼ F model

DVR-1000

Rear view

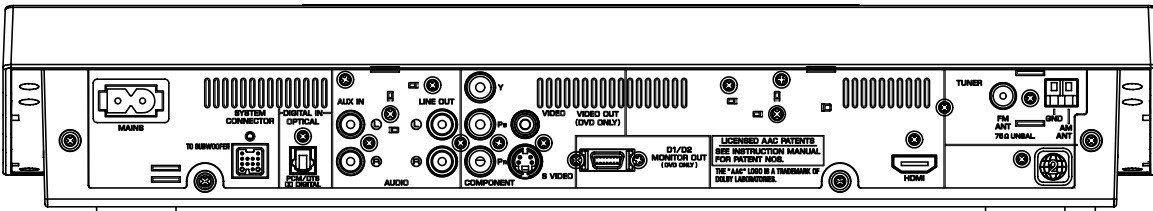


Bottom view

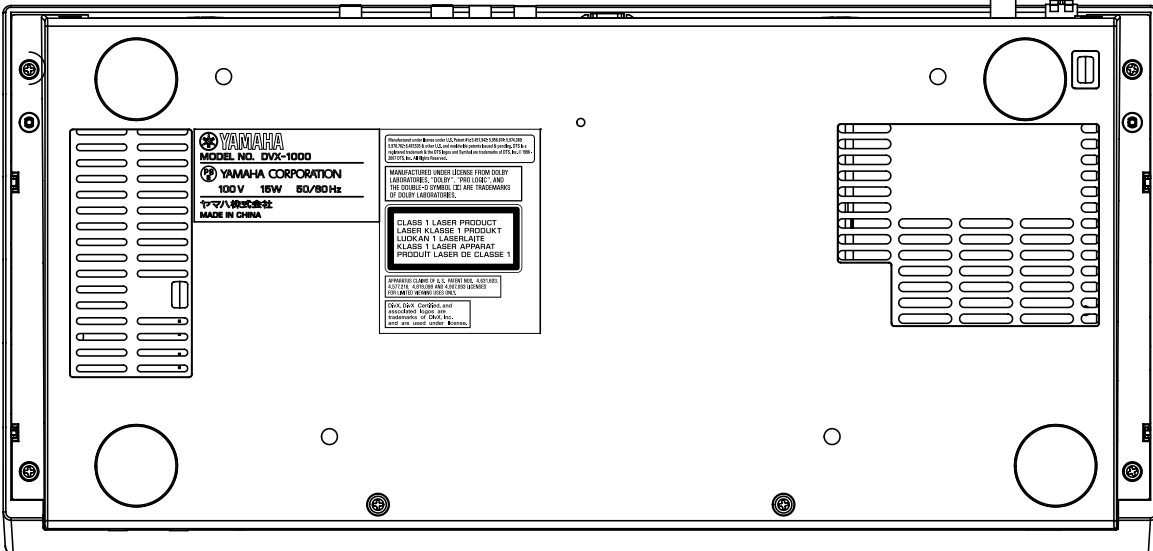


▼ J model

Rear view



Bottom view

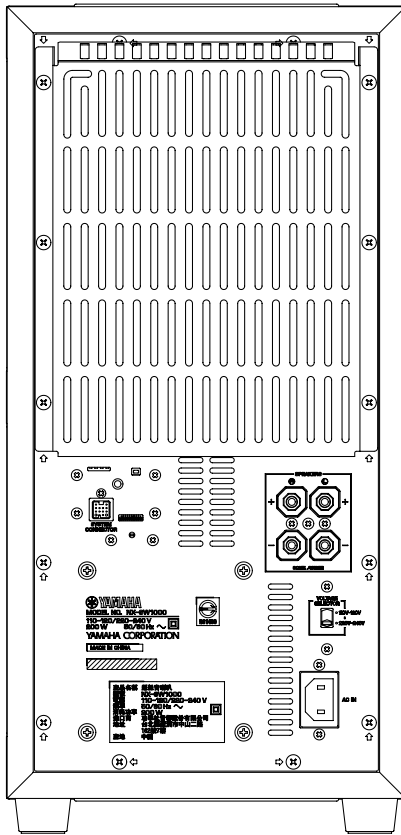


DVX-1000

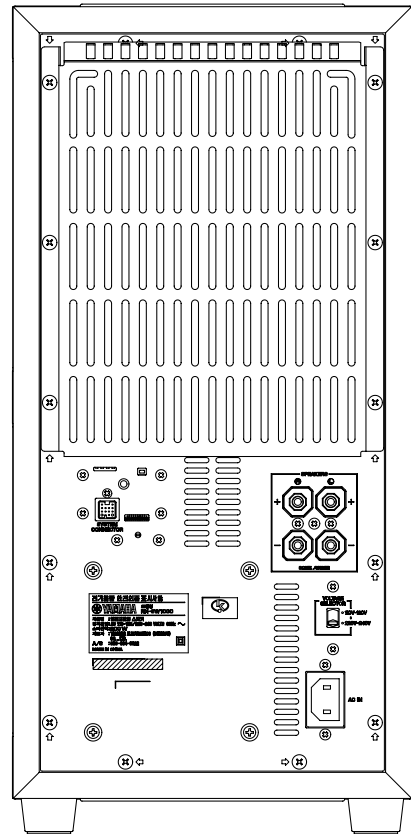


NX-SW1000

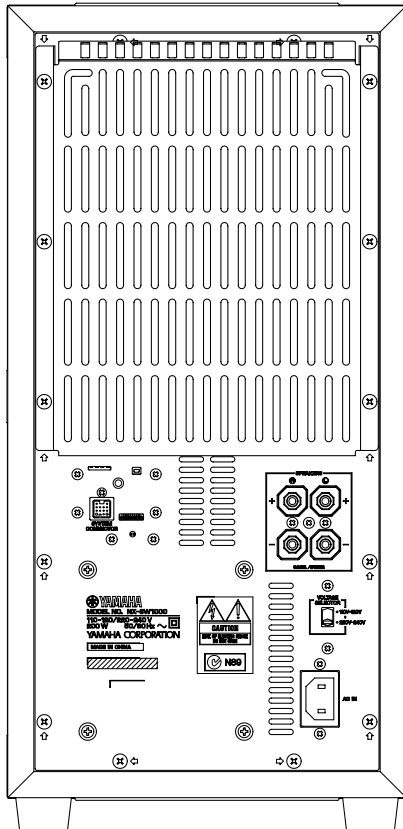
▼ R model



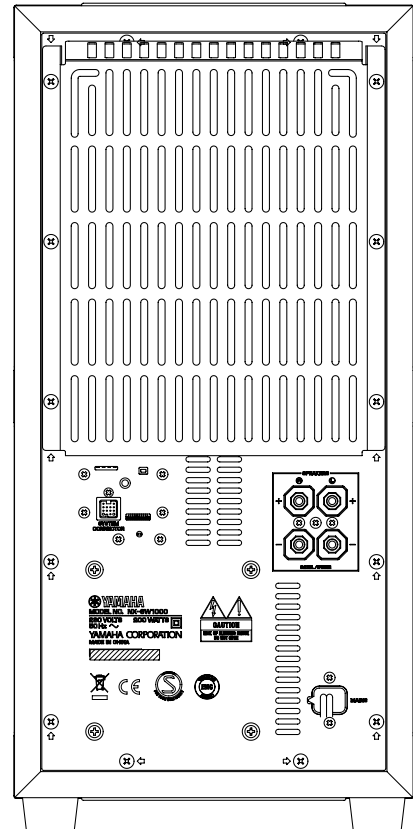
▼ K model



▼ A model



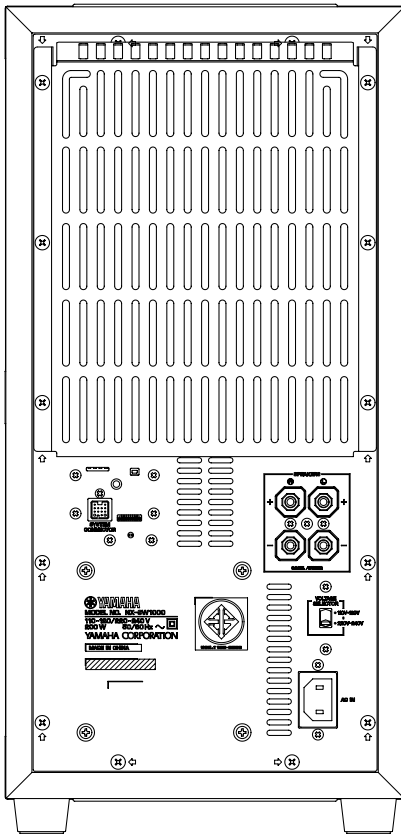
▼ G, F models



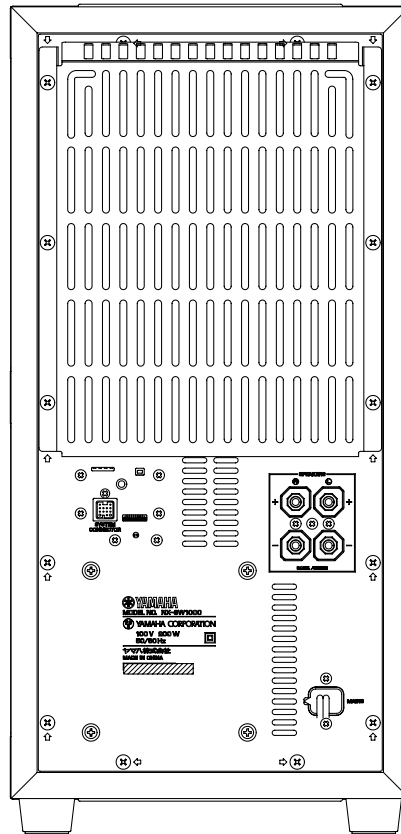
DVX-1000

**NX-SW1000**

▼ L model

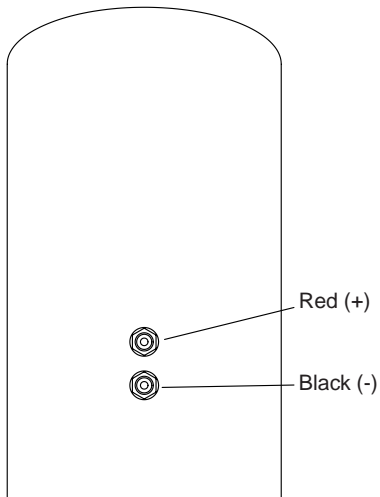


▼ J model



**NX-P1000**

Rear view

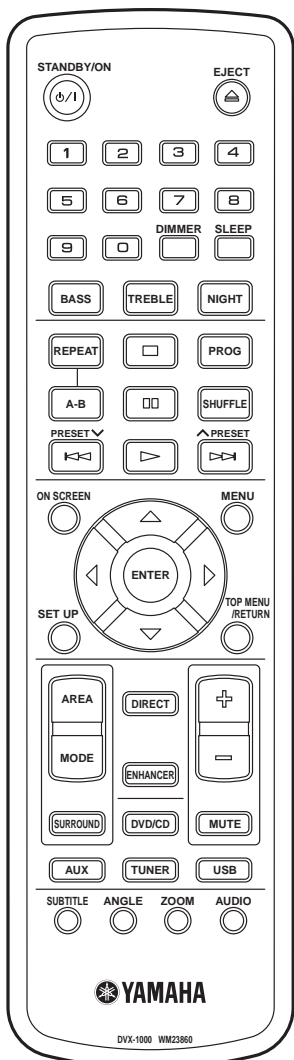


Bottom view

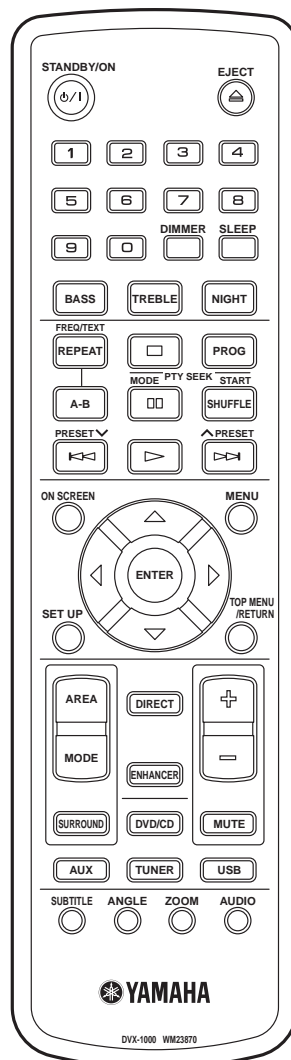


## ■ REMOTE CONTROL PANELS

### ▼ R, K, A, L, J models



### ▼ G, F models



DVX-1000

## ■ SPECIFICATIONS / 参考仕様

### DVR-1000

#### TUNER SECTION / チューナー部

##### FM Tuning Range / FM 受信周波数範囲

R, K, A, G, F, L models	87.50 to 108.00 MHz
J model	76.0 to 90.0 MHz

##### AM Tuning Range / AM 受信周波数範囲

K, A, G, F, J models	531 to 1602 kHz
R, L models	531 to 1602 kHz/530 to 1700 kHz

#### DISC SECTION / ディスク部

Laser Type / レーザータイプ Semiconductor / 半導体

Disc Diameter / ディスク直径 12cm

##### Video Decoding / ビデオデコード

MPEG-1 / MPEG-2 / DivX 3.11,  
4.x & 5.x / DivX Ultra

Video DAC / ビデオ D A C 12 bits/108 MHz

Signal System / 映像信号方式 PAL / NTSC

##### Video Format / ビデオフォーマット

4:3 / 16:9

##### Composite Video Output / コンポジットビデオ出力

1.0 Vp-p, 75 ohms

##### S-video Output / S ビデオ出力

Y - 1.0 Vp-p, 75 ohms

C - 0.3 Vp-p, 75 ohms

##### RGB (SCART) Output

0.7 Vp-p, 75 ohms

##### Component Video Output / コンポーネントビデオ出力

Y - 1.0 Vp-p, 75 ohms

Pb/Cb Pr/Cr - 0.7 Vp-p, 75 ohms

##### Audio DAC / オーディオDAC

24 bits / 192 kHz

##### Frequency Response / 再生周波数帯域

4 Hz to 20 kHz (44.1 kHz)

4 Hz to 22 kHz (48 kHz)

4 Hz to 44 kHz (96 kHz)

##### Audio S/N / オーディオS/N 比

100 dB

##### Distortion / 全高調波歪率

0.0035 %

##### Dynamic Range / ダイナミックレンジ

90 dB

#### AUDIO FORMAT / オーディオフォーマット

Digital	Dolby Digital/DTS/MPEG Compressed Digital
	PCM
	16, 20, 24 bits
	fs 44.1, 48, 88.2, 96, 176.4, 192 kHz
	MP3 (ISO 9660)
	24, 32, 56, 64, 96, 128, 256 kbps
	fs 16, 22.05, 24, 32, 44.1, 48 kHz
	WMA
	32 to 192 kbps, mono, stereo

Full decoding of Dolby Digital and DTS multi-channel sound/  
Dolby Surround Compatible Downmix from Dolby Digital multi-  
channel sound

#### GENERAL / 総合

##### Power Supply Rating / 電源電圧

R model	220-240 V, 50/60 Hz
K model	220 V, 60 Hz
A model	240 V, 50 Hz
G, F models	230 V, 50 Hz
L model	110-120 V, 50/60 Hz
J model	100 V, 50/60 Hz

##### Power Consumption / 消費電力

	26 W (Max.) / (最高)
	0.5 W (Standby) / (スタンバイ)

##### Frequency Response

20 Hz to 20 kHz/±0.2 dB

##### Signal to Noise Ratio

> 100 dB

##### Input Sensitivity

SCART In (G, F models only) 500 mV

HDMI Output / HDMI 出力 Type A

USB Type A

AUX IN (Stereo mini) / AUX IN (ステレオミニ)

ø3.5 mm mini jack / ミニジャック

##### Dimensions / 外形寸法 (W x H x D)

435 x 78 (rear)/38 (front) x 208 mm  
(17-1/8" x 3-1/16"/1-1/2" x 8-3/16")

##### Weight / 質量

3.2 kg (7 lbs. 1 oz.)

##### Finish / 仕上げ

Black color

##### Accessories / 付属品

Remote Control x1

Battery x2

Indoor FM Antenna x1

AM Loop Antenna x1

Video Pin Cable (1.5m) x1

Power Cable (1.5m) x1

\* **Specifications subject to change without prior notice.**

仕様および外観は、改良のため予告なく変更することがあります。

**NX-SW1000****AMPLIFIER SECTION / アンプ部**

## Output Power / 実用最大出力

R, K, A, L models

120/240V

L/R 70W+70W (1KHz 0.9% L+R)  
90W+90W (1KHz 10% L+R)Subwoofer 80W (100Hz 0.9%)  
100W (100Hz 10%)

110/220V

L/R 60W+60W (1KHz 0.9% L+R)  
75W+75W (1KHz 10% L+R)Subwoofer 70W (100Hz 0.9%)  
90W (100Hz 10%)

G, F models

L/R 70W+70W (1KHz 0.7% L+R)  
90W+90W (1KHz 10% L+R)Subwoofer 80W (100Hz 0.9%)  
100W (100Hz 10%)

J model

L/R 90W+90W (1KHz 10%)  
Subwoofer 100W (100Hz 10%)**GENERAL / 総合**

## Power Supply Rating / 電源電圧

R, K, A, L models 110-120/220-240V, 50/60Hz

G and F models 230 V, 50 Hz

J model 100V, 50/60Hz

## Power Consumption / 消費電力

200 W

## System / 型式

Advanced Yamaha Active  
Servo Technology  
アドバンスドヤマハアクティブ  
サーボテクノロジー

## Impedance / インピーダンス 6 ohms

## Speaker Driver / スピーカーユニット

16cm cone woofer, magnetic  
shielding type  
16cm コーンウーファー(防磁型)

## Frequency Response / 再生周波数帯域

35Hz – 100Hz (-10dB)

## Input Sensitivity / 入力感度

AUX In 300 mV

## Dimensions / 外形寸法(W x H x D)

230 x 477 x 440 mm  
(9-1/16" x 18-3/4" x 17-5/16")

## Weight / 質量

16.0 kg (35 lbs. 4 oz.)

## Finish / 仕上げ

Black color

## Accessories / 付属品

System Control Cable (4m) x1

Power Cable (1.5m) x1 (R, K, A, L models)

\* **Specifications subject to change without prior notice.**

仕様および外観は、改良のため予告なく変更することがあります。

**NX-P1000**System / 型式 2-way acoustic suspension speaker system  
2ウェイ密閉式

Impedance / インピーダンス 6 ohms

Speaker Drivers / スピーカーユニット

11.0cm woofer, magnetic shielding type  
+ 2.5cm soft dome tweeter, magnetic  
shielding type  
11.0 cm ウーファー(防磁型)+  
2.5cm ソフトドームツイーター(防磁型)

Frequency Response / 再生周波数帯域

100 Hz – 20 kHz (-10dB)

Dimensions / 外形寸法 (W x H x D)

145 x 262 x 178 mm  
(5-11/16" x 10-5/16" x 7")

Weight / 質量

2.9 kg (6 lbs. 6 oz.)

Finish / 仕上げ

Black color

Accessories / 付属品

Speaker Cable (4m) x2

\* **Specifications subject to change without prior notice.**

仕様および外観は、改良のため予告なく変更することがあります。

R ..... General model

F ..... Russian model

K ..... Korean model

L ..... Singapore model

A ..... Australian model

J ..... Japanese model

G ..... European model



Manufactured under license from Dolby Laboratories. "Dolby", "Pro Logic", "MLP Lossless" and the double-D symbol are trademarks of Dolby Laboratories.

ドルビーラボラトリーズからの実施権により製造されています。「ドルビー」及びダブルD記号は、ドルビーラボラトリーズの商標です。



"DTS" and "DTS Digital Surround" are registered trademarks of DTS, Inc.

DTS およびDTS Digital Out はデジタルシアターシステムズの登録商標です。



DivX, DivX Ultra Certified, and associated logos are trademarks of DivX, Inc. and are used under license.



DivX, DivX Ultra Certified、および関連するロゴは、DivX, Inc. の商標です。これらの商標は、DivX, Inc. の使用許諾を得て使用しています。



"DCDi" is a trademark of Faroudja, a division of Genesis Microchip, Inc.

DCDi は、Genesis Microchip Inc. の事業部門である Faroudja の商標です。



HDMI, the HDMI logo and High Definition Multimedia Interface are trademarks or registered trademarks of HDMI Licensing LLC.

HDMI、HDMI ロゴおよび High-Definition Multimedia Interface は、HDMI Licensing LLC の商標または、登録商標です。



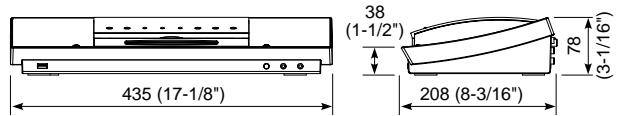
This subwoofer system (NX-SW1000) employs Advanced Yamaha Active Servo Technology which Yamaha has developed for reproducing higher quality super-bass sound.



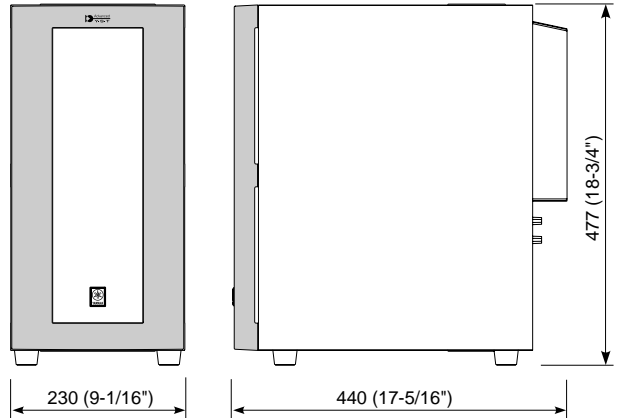
AAC ロゴマークはドルビーラボラトリーズの商標です。

## DIMENSIONS

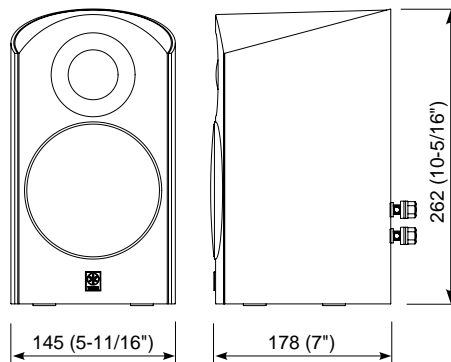
### ● DVR-1000



### ● NX-SW1000



### ● NX-P1000

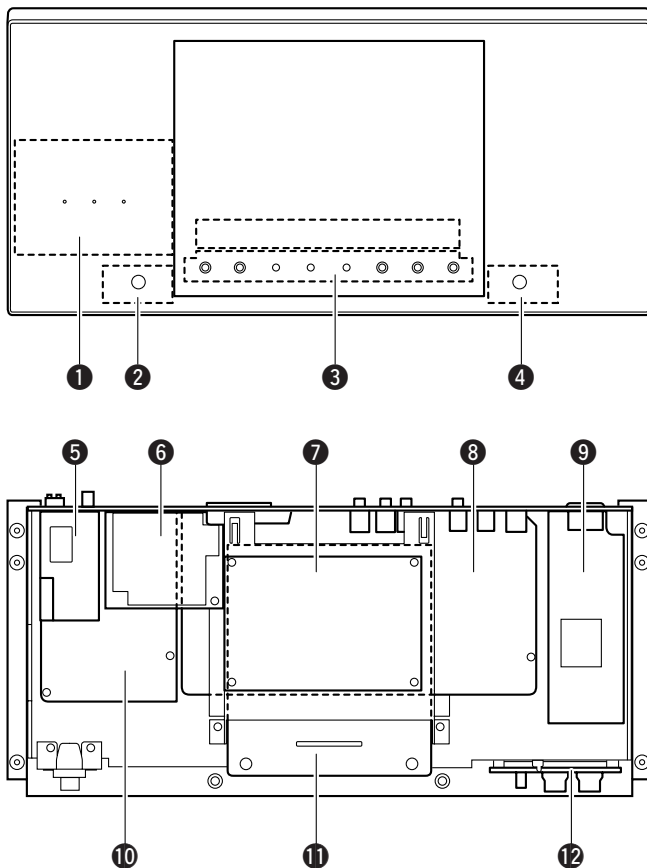


Unit : mm (inch)

INTERNAL VIEW

DVR-1000

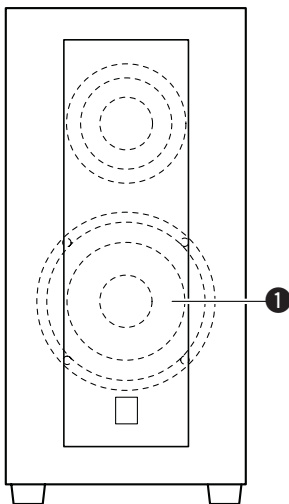
Top view



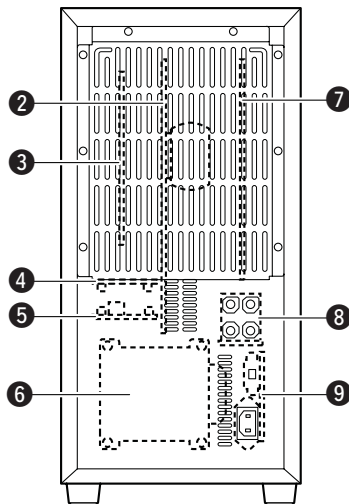
- ① FRONT (1) P.C.B.
- ② FRONT (4) P.C.B.
- ③ FRONT (2) P.C.B.
- ④ FRONT (5) P.C.B.
- ⑤ AM/FM TUNER
- ⑥ USB P.C.B.
- ⑦ MONO P.C.B.
- ⑧ AV P.C.B.
- ⑨ POWER SUPPLY UNIT
- ⑩ HDMI P.C.B.
- ⑪ LOADER ASS'Y
- ⑫ FRONT (3) P.C.B.

NX-SW1000

Front view



Rear view



- ① DRIVER WOOFER
- ② MAIN (1) P.C.B.
- ③ DSP (1) P.C.B.
- ④ DSP (3) P.C.B.
- ⑤ DSP (2) P.C.B.
- ⑥ POWER TRANSFORMER
- ⑦ MAIN (2) P.C.B.
- ⑧ MAIN (4) P.C.B.
- ⑨ MAIN (3) P.C.B.

## ■ DISASSEMBLY PROCEDURES / 分解手順

(Remove parts in the order as numbered.)

(番号順に部品を取り外してください。)

### DVR-1000

#### 1. Removal of Top Cabinet

- Remove 6 screws (①) and 2 screws (②). (Fig. 1)
- Release 4 hooks and then pull out the top cabinet slowly. (Fig. 2)
- Remove 1209, 1303 and CN3. (Fig. 2)
- Remove the top cabinet. (Fig. 2)

#### 1. トップキャビネットの外し方

- ①のネジ6本、②のネジ2本を外します。(Fig. 1)
- フック4箇所を外し、トップキャビネットをゆっくり外します。(Fig. 2)
- 1209、1303、CN3を外します。(Fig. 2)
- トップキャビネットを取り外します。(Fig. 2)

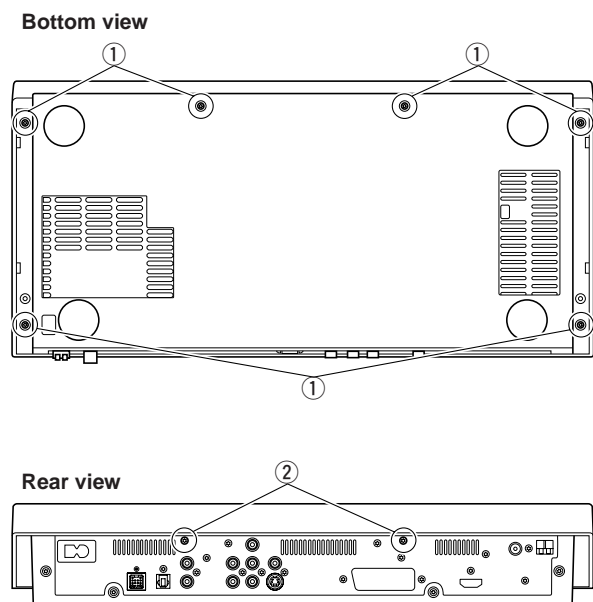


Fig. 1

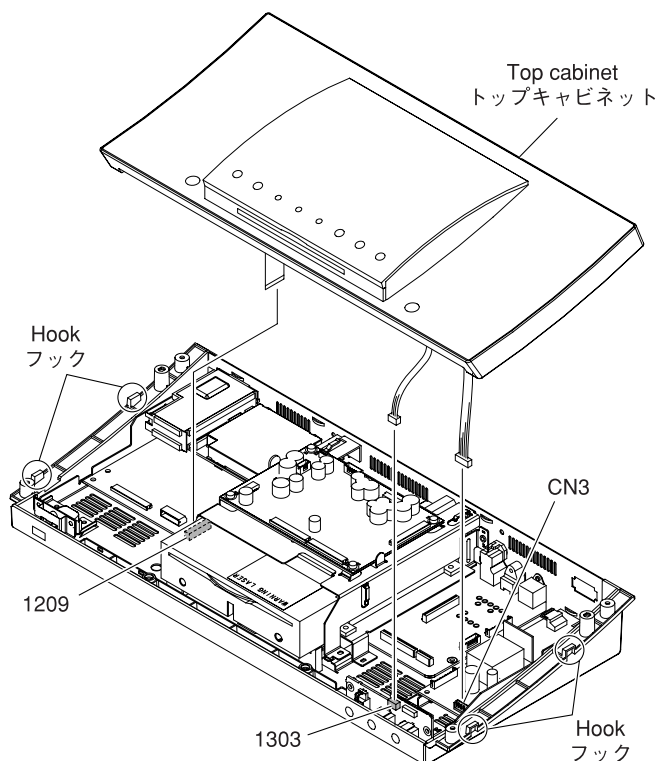


Fig. 2

#### 2. Removal of Loader Ass'y

- Remove screw (③) and screw (④). (Fig. 3)
- Remove 1100 and 1103. (Fig. 3)
- Remove the USB P.C.B.. (Fig. 3)
- Remove 2 screws (⑤) and 2 screws (⑥). (Fig. 3)
- Unlock 1101 and then disconnect the flexible flat cable, and ground the terminal face of the flexible flat cable with a clip or the like. (Fig. 3)
- Remove 1102, 1104, 1105 and 1110. (Fig. 3)
- Unlock 1301, 1302 and 1304 and then disconnect the flexible flat cable. (Fig. 3)
- Remove MONO P.C.B. together with the support MPEG. (Fig. 3)
- Remove 4 screws (⑦). (Fig. 3)
- Remove the loader ass'y. (Fig. 3)

#### 2. ローダー ASSY の外し方

- ③のネジ1本、④のネジ1本を外します。(Fig. 3)
- 1100、1103を外します。(Fig. 3)
- USB PCBを取り外します。(Fig. 3)
- ⑤のネジ2本、⑥のネジ2本を外します。(Fig. 3)
- 1101のロックを解除してカード電線を外します。次に外したカード電線のクリップ等で端子面をアースします。(Fig. 3)
- 1102、1104、1105、1110を外します。(Fig. 3)
- 1301、1302、1304のロックを解除してカード電線を外します。(Fig. 3)
- MONO P.C.B.をサポートMPEGと一緒に取り外します。(Fig. 3)
- ⑦のネジ4本を外します。(Fig. 3)
- ローダー ASSY を取り外します。(Fig. 3)



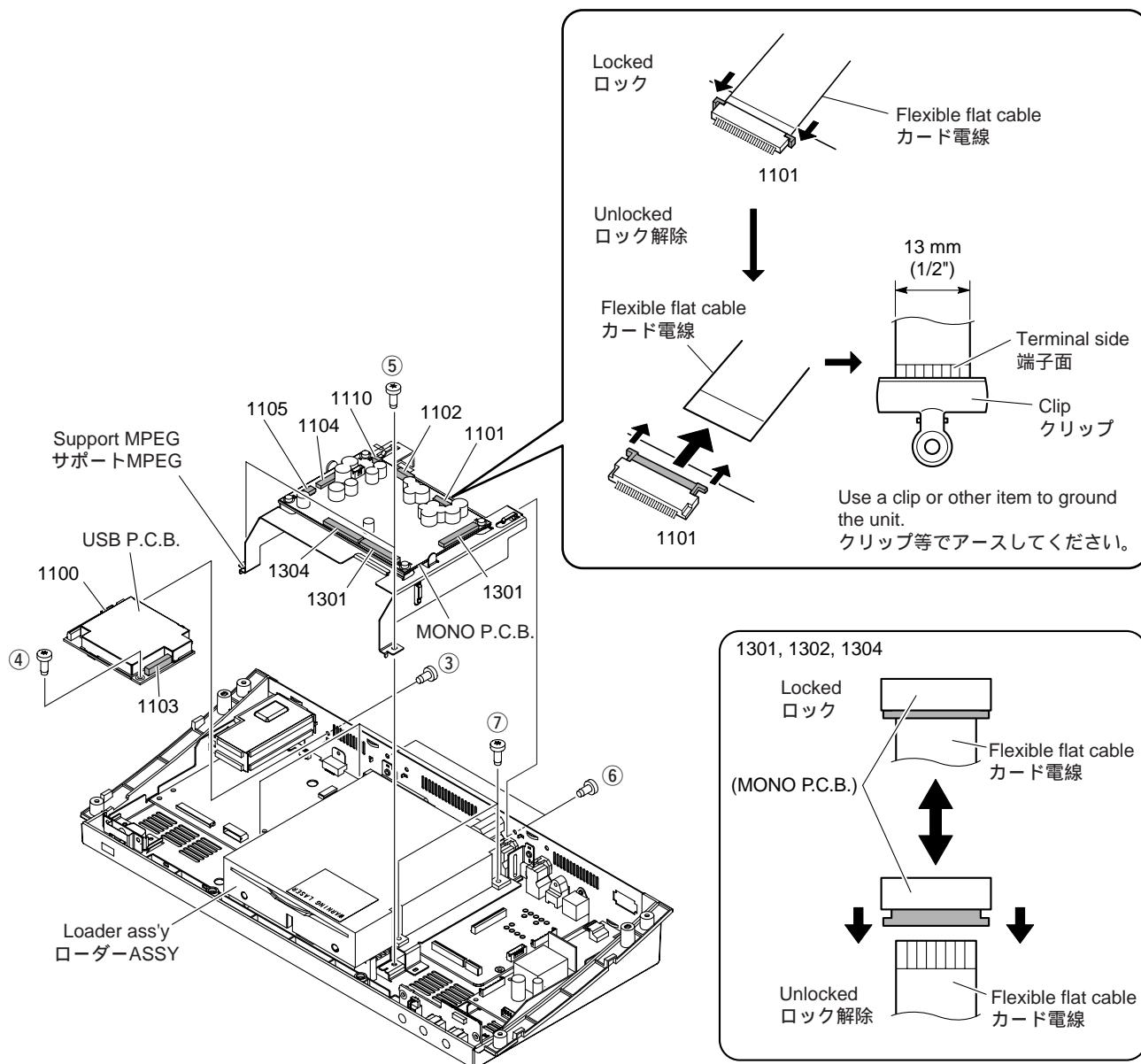


Fig. 3

### \* How to manually eject a disc

If the inserted disc cannot be ejected, it is possible to eject it manually.

- Remove the Loader ass'y. (Refer to Disassembly Procedures)
- Turn the loading gear in the arrow direction until the disc is ejected. (Fig. 4)

### \* 手でディスクを取り出す方法

挿入したディスクが取り出せない場合、手で取り出すことができます。

- ローダーASSYを取り外します。(分解手順参照)
- ディスクが取り出せるまで、ローディングギアを矢印の方向に回します。(Fig. 4)

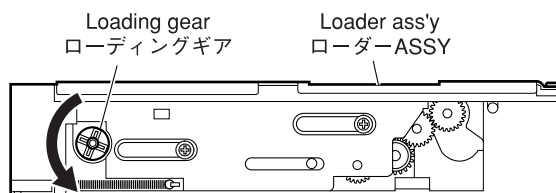


Fig. 4

## Disassembly Procedure of Front section

## 1. Removal of Front Panel Sub Ass'y

\* The front panel sub ass'y is fixed to the cabinet ass'y with dowels.

As a flatblade screwdriver and metalblade or the like are used for removal, give special care not to cause damage to the cabinet ass'y.

- First, insert a flatblade screwdriver at 2 locations on the bottom to push up the front panel sub ass'y. (Fig. 6)
- Then, using a metalblade or the like, push up the front panel sub ass'y to remove it. (Fig. 6)

## Notes:

- When removing the front panel sub ass'y, use both flatblade screwdriver and the metalblade on the like to prevent possible deformation of the front panel sub ass'y.
- When installing the front panel sub ass'y, apply quick-drying bond or the like to dowels and then fit them into dowel holes for secure installation.  
(The front grille ass'y will come off easily without quick-drying bond or the like.)

## 2. Removal of Driver Woofer

- Remove 4 screws (①). (Fig. 6)
- Pull out the driver woofer.
- Disconnect the connector connected to the terminal of the driver woofer. (Fig. 6)
- Remove the driver woofer. (Fig. 6)

## フロント部の分解手順

## 1. F パネルサブ ASSY の外し方

\* F パネルサブ ASSY はキャビネット ASSY にダボで固定されています。

マイナスドライバーおよびヘラ等を使って取り外す場合、キャビネット ASSY に傷が付かないよう十分注意してください。

- 最初に、底面の 2 箇所へマイナスドライバーを差し込み、F パネルサブ ASSY を押し上げます。(Fig. 6)
- 次に、ヘラ等を使い、F パネルサブ ASSY を押し上げ、取り外します。(Fig. 6)

## 注意：

- F パネルサブ ASSY を取り外すとき、ヘラ等を使わずマイナスドライバーのみで取り外すと F パネルサブ ASSY が壊れてしまいます。
- F パネルサブ ASSY を取り付けるとき、F パネルサブ ASSY のダボに速乾ボンド塗って差し込み、取り付けください。(速乾ボンド塗らずに F パネルサブ ASSY を差し込むだけでは、簡単に外れてしまいます。)

## 2. スピーカーユニットの外し方

- ① のネジ 4 本を外します。(Fig. 6)
- スピーカーユニットを引き出します。(Fig. 6)
- スピーカーユニットの端子からコネクターを外します。(Fig. 6)
- スピーカーユニットを取り外します。(Fig. 6)

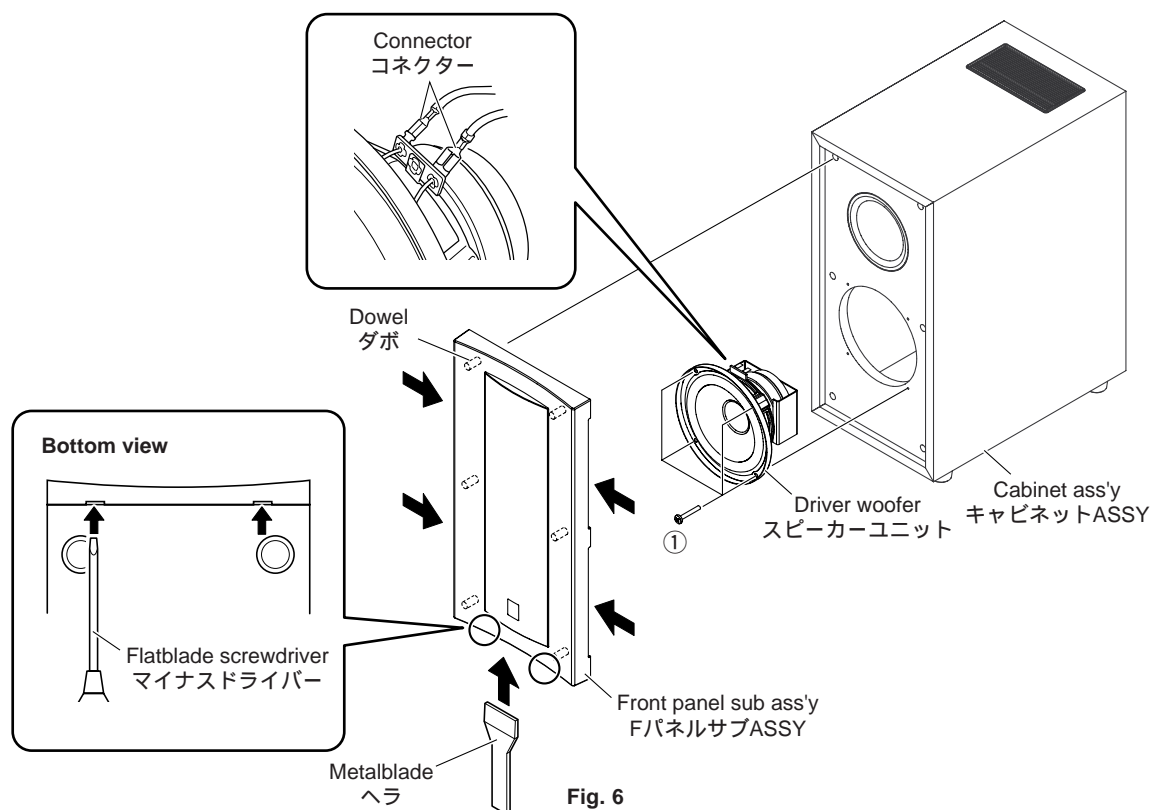


Fig. 6

## Disassembly Procedure of Rear section

### 1. Removal of Rear Panel Ass'y

- Remove 8 screws (①). (Fig. 7)
- Remove the rear cover. (Fig. 7)
- Remove 6 screws (②). (Fig. 7)
- Pull out the rear panel ass'y slowly. (Fig. 7)
- Remove CB15. (Fig. 7)
- Remove the rear panel ass'y. (Fig. 7)

### When Checking the P.C.B.:

- Connect all the removed connectors during disassembly back to its original positions.
- Spread the rubber sheet and cloth for insulation purpose and place the rear panel ass'y on them. (Fig. 8)

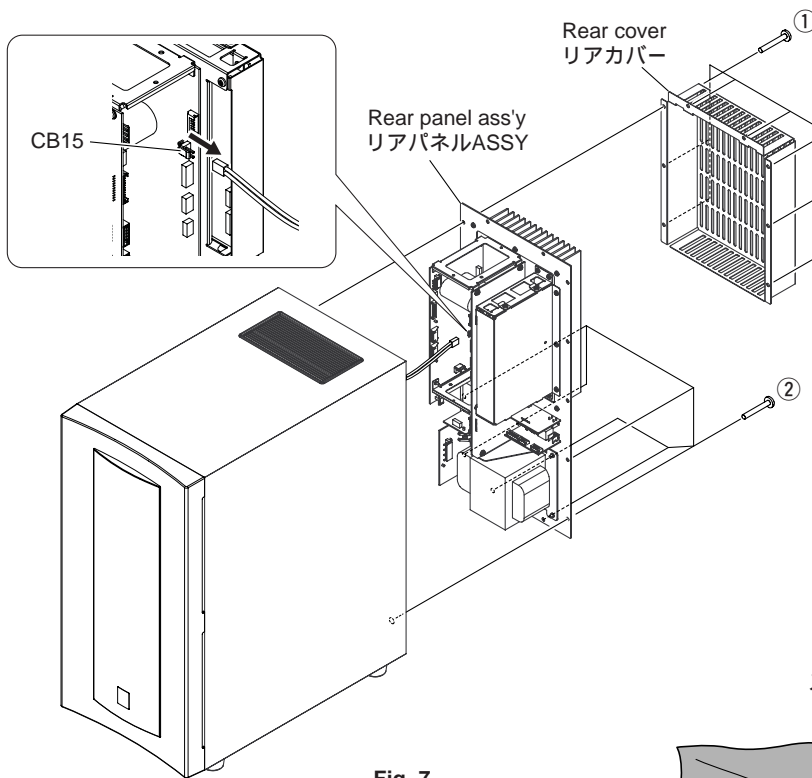


Fig. 7

## リア部の分解手順

### 1. リアパネルASSYの外し方

- ①のネジ8本を外します。(Fig. 7)
- リアカバーを取り外します。(Fig. 7)
- ②のネジ6本を外します。(Fig. 7)
- リアパネルASSYをゆっくり引き出します。(Fig. 7)
- CB15を外します。(Fig. 7)
- リアパネルASSYを取り外します。(Fig. 7)

### P.C.B. をチェックをする場合には：

- 外したケーブル（コネクター）をすべて元に戻します。
- ゴムシートと布を敷き、その上にリアパネルASSYを置いてチェックします。(Fig. 8)

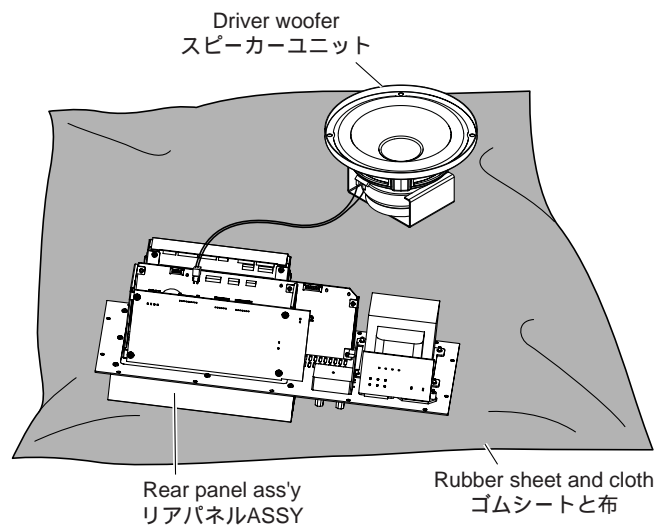


Fig. 8

## NX-P1000

## 1. Removal of Cover Bottom Ass'y

- a. Remove 4 nonskid pads. (Fig. 9)
- \* *The old nonskid pad once removed cannot be reused. Be sure to replace them with new ones.*
- b. Remove 4 screws (①) and 2 screws (②). (Fig. 9)
  - c. Pull out the cover bottom ass'y downward gradually. (Fig. 10)
  - d. Disconnect 6 connectors and then remove cover bottom ass'y. (Fig. 10)

**Note:** Make sure that all the removed connectors parts are reinstalled at specified positions.

## 2. Removal of Front Panel Ass'y

- a. Remove 4 screws (③). (Fig. 10)
  - b. Slide the lower part of the front panel ass'y forward gradually and remove it from 4 dowels. (Fig. 3)
- \* *At this time, use care not to cause damage to the hook in the upper part of the front panel ass'y.*
- \* *When installing the front panel ass'y, fit the hook in its upper part first and then install it by 4 dowels.*

## 3. Removal of Driver Woofer

- a. Remove 4 screws (④) and then remove the driver woofer. (Fig. 10)

## 1. カバーボトム ASSY の外し方

- a. 滑り止めパッド 4 個を外します。 (Fig. 9)
- \* 一度取り外した滑り止めパッドは使用できません。必ず、新しい滑り止めパッドに交換してください。
- b. ① のネジ 4 本、② のネジ 2 本を外します。 (Fig. 9)
  - c. カバーボトム ASSY を下方へゆっくり引き出します。 (Fig. 10)
  - d. コネクター 6 個を外し、カバーボトム ASSY を取り外します。 (Fig. 10)

**注意:** 取り外したコネクターはすべて決められた位置に取り付けてください。

## 2. フロントパネル ASSY の外し方

- a. ③ のネジ 4 本を外します。 (Fig. 10)
  - b. フロントパネル ASSY の下側を前方にゆっくりスライドさせ、ダボ 4 箇所を外します。 (Fig. 3)
- \* このとき、フロントパネル ASSY の上側のフックを壊さないように注意してください。
- \* フロントパネル ASSY を取り付ける場合は、最初に上側のフックを差し込み、次にダボ 4 箇所へ取り付けます。

## 3. スピーカーユニット(ウーファー)の外し方

- a. ④ のネジ 4 本を外し、スピーカーユニット(ウーファー)を取り外します。 (Fig. 10)

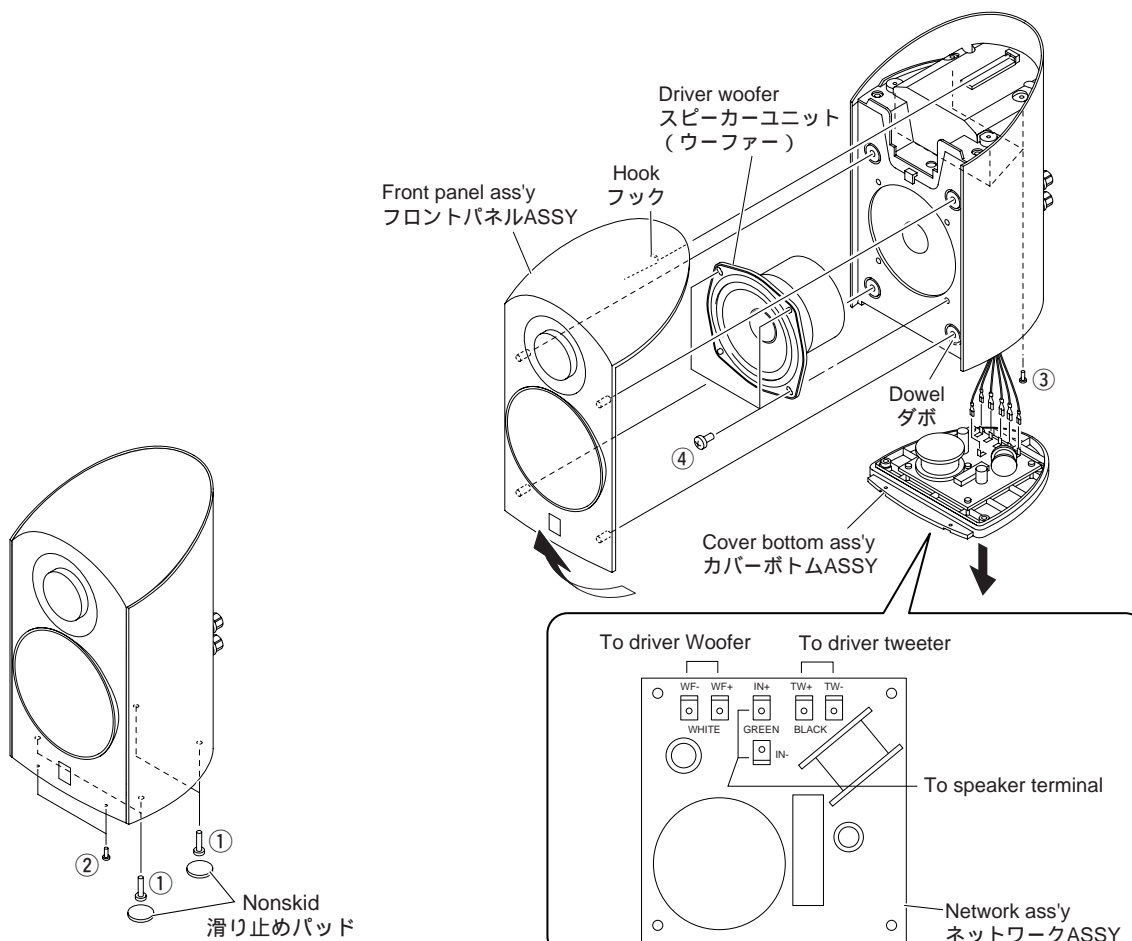


Fig. 9

Fig. 10

## NX-SW1000

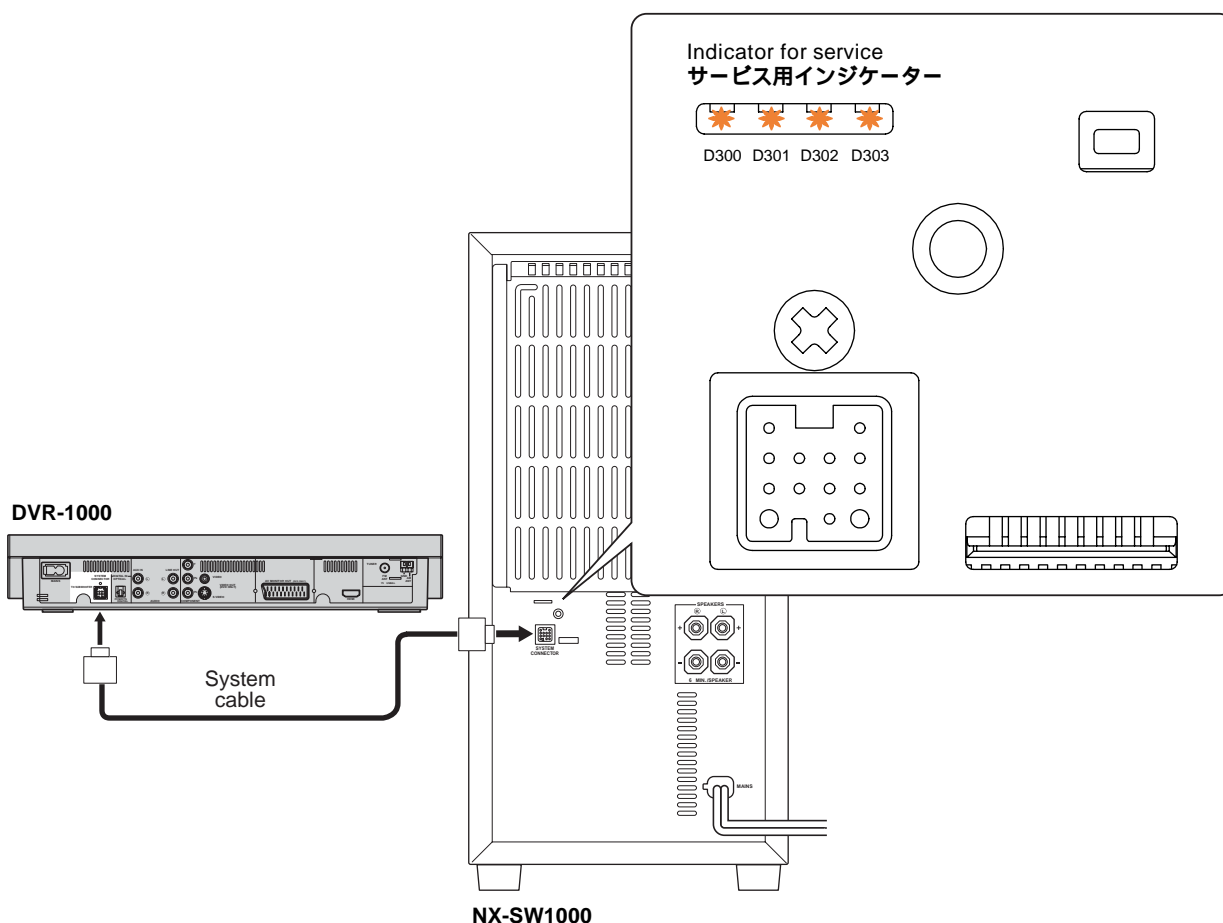
## ■ PROTECTION INFORMATION DISPLAY / プロテクション情報の表示

Connect the DVR-1000 system connector and NX-SW1000 system connector by using the system cable and then connect the power cables of DVR-1000 and NX-SW1000 to AC outlets.

Turn on the power by pressing the STANDBY/ON key of DVR-1000 or STANDBY/ON key of the remote controller. At this time, if the indicator for service on the rear panel of NX-SW1000 is flashing, the normal operation is not available because the protection function is at work.

The protection information is provided by the indicator for service on the rear panel of NX-SW1000.

DVR-1000のシステムコネクターとNX-SW1000のシステムコネクターをシステムケーブルで接続し、DVR-1000とNX-SW1000の電源コードをACコンセントに接続します。DVR-1000のSTANDBY/ONキーまたはリモコンのSTANDBY/ONキーを押し電源オンしたとき、NX-SW1000リアパネルのサービス用インジケータが点滅表示している場合、プロテクションが動作しているため正常動作させることができません。プロテクションの情報は、NX-SW1000リアパネルにあるサービス用インジケータを使って表示します。



Displayed / 表示 (★ : Flashing / 点滅, ● : Off / 消灯)				Types of protection function / プロテクションの種類
D300	D301	D302	D303	
●	●	●	●	Normal (no protection function) / 正常(プロテクション無し)
●	●	●	★	I protection / 過電流プロテクション
●	●	★	●	PS1 protection / 電源電圧1プロテクション
●	●	★	★	PS2 protection / 電源電圧2プロテクション
●	★	●	●	PS3 protection / 電源電圧3プロテクション
●	★	●	★	THM protection / 温度プロテクション
●	★	★	●	AMP DC protection / アンプDCプロテクション

## ● Details of Protection Information

### 1. I protection

**Cause** : Excess current flow into amplifier  
**Detection port** : PRI (DSP P.C.B. 73 pin of microprocessor IC13)  
**Detected at** : Amplifier output of MAIN P.C.B.

### 2. PS1 protection

**Cause** : The voltage in the power supply section is abnormal.  
**Detection port** : PRV1 (DSP P.C.B. 95 pin of microprocessor IC13)  
**Detected at** : +12V (IC10 of MAIN P.C.B.), -12V (IC11 of MAIN P.C.B.), +5V (IC12 of MAIN P.C.B.)

### 3. PS2 protection

**Cause** : The voltage in the power supply section is abnormal.  
**Detection port** : PRV2 (DSP P.C.B. 94 pin of microprocessor IC13)  
**Detected at** : AC2 (D23 of MAIN P.C.B.), +5V (IC12 of MAIN P.C.B.)

### 3. PS3 protection

**Cause** : The voltage in the power supply section is abnormal.  
**Detection port** : PRV3 (DSP P.C.B. 93 pin of microprocessor IC13)  
**Detected at** : AC1 (D24 of MAIN P.C.B.), +5V (IC12 of MAIN P.C.B.)

### 4. THM protection

**Cause** : Abnormal temperature of heat sink.  
**Detection port** : THM (DSP P.C.B. 92 pin of microprocessor IC13)  
**Detected at** : IC14 of MAIN P.C.B.

### 5. AMP DC protection

**Cause** : Abnormal DC voltage of amplifier output L/R/SW.  
**Detection port** : PRD (DSP P.C.B. 97 pin of microprocessor IC13)  
**Detected at** : SPE\_L of speaker output L, SPE\_R of speaker output R, SP- of subwoofer output.

## ● プロテクション情報の詳細

### 1. 過電流プロテクション

**原因** : アンプ部に過電流が流れた。  
**検出ポート** : PRI (DSP P.C.B. マイコンIC13の73ピン)  
**検出先** : MAIN P.C.B.のアンプ出力

### 2. 電源電圧1プロテクション

**原因** : 電源部の電圧が異常。  
**検出ポート** : PRV1 (DSP P.C.B. マイコンIC13の95ピン)  
**検出先** : +12V (IC10 MAIN P.C.B.), -12V (IC11 MAIN P.C.B.), +5V (IC12 MAIN P.C.B.)

### 3. 電源電圧2プロテクション

**原因** : 電源部の電圧が異常。  
**検出ポート** : PRV2 (DSP P.C.B. マイコンIC13の94ピン)  
**検出先** : AC2 (D23 MAIN P.C.B.), +5V (IC12 MAIN P.C.B.)

### 3. 電源電圧3プロテクション

**原因** : 電源部の電圧が異常。  
**検出ポート** : PRV3 (DSP P.C.B. マイコンIC13の93ピン)  
**検出先** : AC1 (D24 MAIN P.C.B.), +5V (IC12 MAIN P.C.B.)

### 4. 温度プロテクション

**原因** : ヒートシンクの温度が異常。  
**検出ポート** : THM (DSP P.C.B. マイコンIC13の92ピン)  
**検出先** : IC14 MAIN P.C.B.

### 5. アンプDCプロテクション

**原因** : アンプ出力L/R/SWのDC電圧が異常。  
**検出ポート** : PRD (DSP P.C.B. マイコンIC13の97ピン)  
**検出先** : SPE\_L (スピーカー出力L)、SPE\_R (スピーカー出力R)、SP- (サブウーファー出力)

## NX-SW1000

## ■ SELF-DIAGNOSTIC FUNCTION / 自己診断機能 (ダイヤグ)

\* It is not possible to activate the self-diagnostic function while the protection function is at work.

\* To operate the self-diagnostic function, prepare DVR-1000, NX-SW1000, system cable and remote controller in advance.

\* プロテクションが動作しているときにダイヤグを起動することはできません。

\* ダイヤグ (自己診断機能) を操作するときには、DVR-1000、NX-SW1000、システムケーブルおよびリモコンを用意してください。

There are 14 main menu items, each of which has submenu items.

Listed in the table below are menu items and sub-menu items.

メインメニューは14個あり、そのそれぞれにサブメニューがあります。

下表はメニュー一覧です。

Displayed / 表示 (*1)				No.	Main menu	Sub-menu
D300	D301	D302	D303			
●	●	●	★	1	DSP THROUGH 1	1 MASTER Vol. -90 dB
						2 MASTER Vol. -40 dB
						3 MASTER Vol. -20 dB
						4 MASTER Vol. -0 dB
●	●	★	●	2	MUTE CHECK	1 MUTE OFF (Vol. -20 dB)
						2 SPEAKERS MUTE
						3 FRONT L/R MUTE
						4 SUBWOOFER MUTE
●	●	★	★	3	RESERVED (Not applied to this model / このモデルには適応されません)	
●	★	●	●	4	OUTPUT PORT CHECK	1 (Not applied to this model / このモデルには適応されません)
						2 (Not applied to this model / このモデルには適応されません)
						3 PATTERN 1
						4 PATTERN 2
●	★	●	★	5	TEST TONE	1 ALL CHANNEL
						2 TURN CHANGEOVER
						3 SUBWOOFER
						4 FRONT L/R 1kHz, SUBWOOFER 100Hz
●	★	★	●	6	RESERVED (Not applied to this model / このモデルには適応されません)	
●	★	★	★	7	DEVICE CHECK	1 DEVICE CHECK
						2 (Not applied to this model / このモデルには適応されません)
						3 (Not applied to this model / このモデルには適応されません)
						4 (Not applied to this model / このモデルには適応されません)
★	●	●	●	8	CPU INFORMATION	1 FIRMWARE VERSION
						2 (Not applied to this model / このモデルには適応されません)
						3 SERIAL VERSION BIT 4-7
						4 SERIAL VERSION BIT 3-0
★	●	●	★	9	EMC TEST	1 EMC TEST
						2 (Not applied to this model / このモデルには適応されません)
						3 (Not applied to this model / このモデルには適応されません)
						4 (Not applied to this model / このモデルには適応されません)

Displayed / 表示 (*1)				No.	Main menu	Sub-menu
D300	D301	D302	D303			
★	●	★	●	10	RESERVED (Not applied to this model / このモデルには適応されません)	
★	●	★	★	11	RESERVED (Not applied to this model / このモデルには適応されません)	
★	★	●	●	12	RESERVED (Not applied to this model / このモデルには適応されません)	
★	★	●	★	13	DSP PROGRAM WRITING	1 READY FOR WRITING
						2 (Not applied to this model / このモデルには適応されません)
						3 (Not applied to this model / このモデルには適応されません)
						4 WRITING START
★	★	★	●	14	RESERVED (Not applied to this model / このモデルには適応されません)	

\*1..... ★ : Flashing / 点滅, ● : Off / 消灯

### ● Starting Self-Diagnostic Function

Connect the DVR-1000 system connector and NX-SW1000 system connector by using the system cable and then connect the power cables of DVR-1000 and NX-SW1000 to AC outlets.

Next, turn on the power by pressing the STANDBY/ON key of DVR-1000 or STANDBY/ON key of the remote controller while pressing the key for service (SW300) on the rear panel of NX-SW1000.

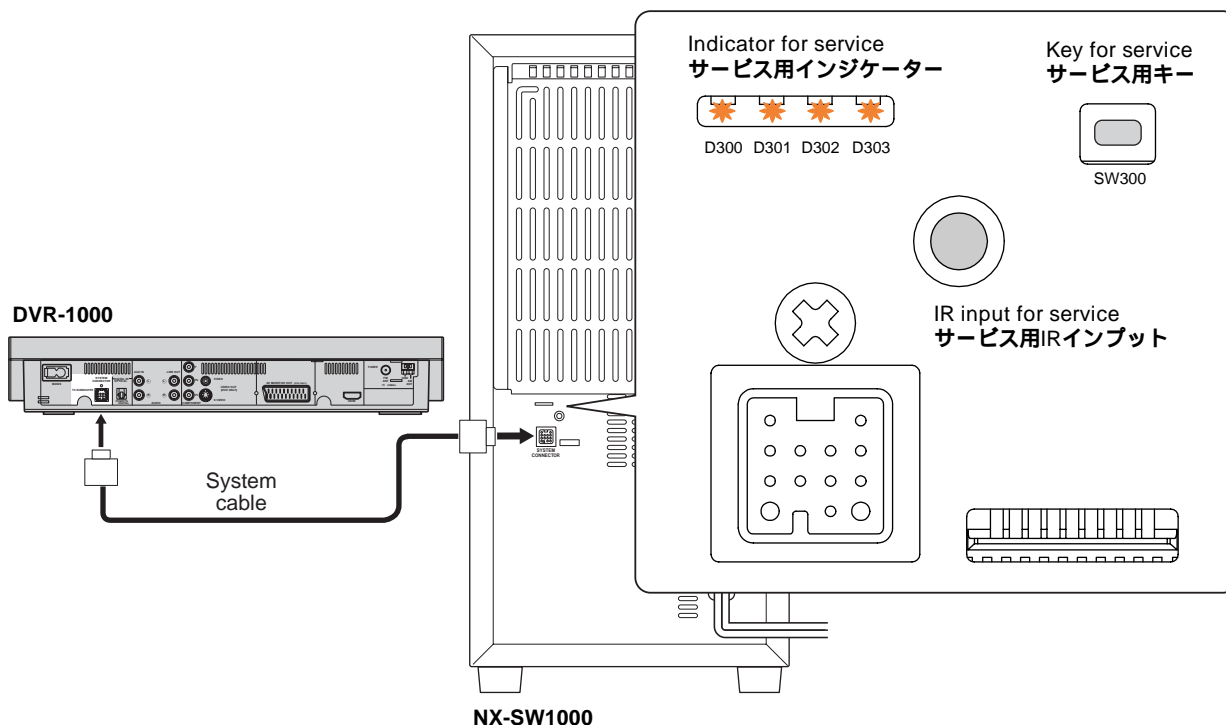
At this time, keep pressing the key for service (SW300) on the rear panel of NX-SW1000 for 5 seconds or longer. All indicators for service flash 5 times and remain on when the self-diagnostic function mode is activated.

### ● ダイアグの起動

DVR-1000のシステムコネクタとNX-SW1000のシステムコネクタをシステムケーブルで接続し、DVR-1000とNX-SW1000の電源コードをACコンセントに接続します。

次に、NX-SW1000リアパネルのサービス用キー( SW300) を押しながらDVR-1000のSTANDBY/ONキーまたはリモコンのSTANDBY/ONキーを押し、電源オンします。

このとき、NX-SW1000リアパネルのサービス用キー( SW300)を約5秒以上押し続けてください。すべてのサービス用インジケータが5回点滅をして、ダイアグモードに入ると点灯します。





## NX-SW1000

### ● Canceling Self-Diagnostic Function

Turn off the power by pressing the STANDBY/ON key of this unit or the “STANDBY/ON” key of the remote control.

### ● Operation procedure of Main menu and Sub-menu

There are 14 menu items, each of them having sub-menu items.

\* *Set the mode to DVD/CD by pressing the DVD/CD key on the remote controller.*

#### Main menu selection

To select the main menu, press the key for on the rear panel of NX-SW1000 or the MENU key on the remote controller.

#### Sub-menu selection

To select the sub-menu, press the applicable numeric key among 1 to 4 on the remote controller.

Numeric “1” key: Select the sub-menu No. 1

Numeric “2” key: Select the sub-menu No. 2

Numeric “3” key: Select the sub-menu No. 3

Numeric “4” key: Select the sub-menu No. 4

### ● ダイアグの解除

DVR-1000のSTANDBY/ONキーまたはリモコンのSTANDBY/ONキーを押し、電源オフします。

### ● メインメニューとサブメニューの操作

ダイアグにはNo. 1～14のメニューがあり、そのそれぞれにサブメニューがあります。

\* リモコンのDVD/CDキーを押し、モードをDVD/CDにします。

#### メインメニューの選択

NX-SW1000リアパネルのサービス用キーまたはリモコンのMENUキーを押し、メインメニューを選択します。

#### サブメニューの選択

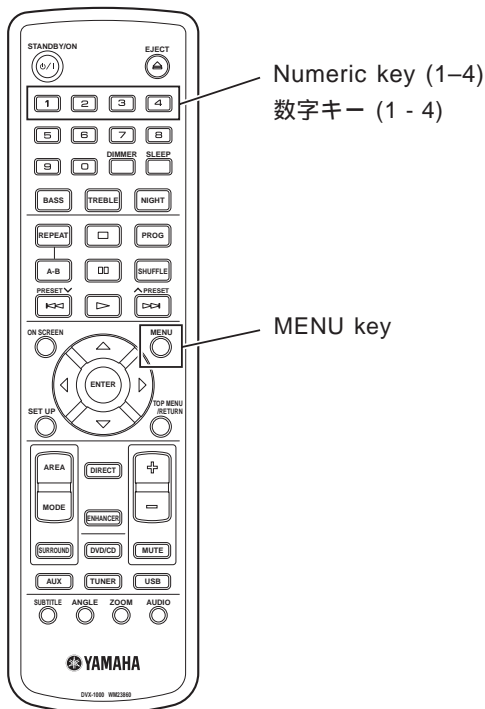
リモコンの数字キーの1～4を押し、サブメニューを選択します。

数字キー 1: サブメニュー1を選択します。

数字キー 2: サブメニュー2を選択します。

数字キー 3: サブメニュー3を選択します。

数字キー 4: サブメニュー4を選択します。



● Details of Self-Diagnostic Function menu

● ダイアグメニュー詳細

1. DSP THROUGH

The output level can be selected by using SUB-MENU.  
The signal is output in digital full bit without including the head margin.

1. DSP THROUGH

サブメニューで出力レベルを選択できます。  
ヘッドマージンを含まず、デジタルフルビットで出力されます。

1-1 MASTER VOLUME -90 dB

1-1 MASTER VOLUME -90 dB

Input level (AUX IN)	SPEAKER OUTPUT (1 kHz) FRONT L/R	SUBWOOFER (50Hz)
Both ch, -20 dBm	- ∞	- ∞

1-2 MASTER VOLUME -40 dB

1-2 MASTER VOLUME -40 dB

Input level (AUX IN)	SPEAKER OUTPUT (1 kHz) FRONT L/R	SUBWOOFER (50Hz)
Both ch, -20 dBm	- 16.0 dBm	- 21.5 dBm

1-3 MASTER VOLUME -20 dB

1-3 MASTER VOLUME -20 dB

Input level (AUX IN)	SPEAKER OUTPUT (1 kHz) FRONT L/R	SUBWOOFER (50Hz)
Both ch, -20 dBm	+ 4.0 dBm	- 0.5 dBm

1-4 MASTER VOLUME 0 dB

1-4 MASTER VOLUME 0 dB

Input level (AUX IN)	SPEAKER OUTPUT (1 kHz) FRONT L/R	SUBWOOFER (50Hz)
Both ch, -20 dBm	+ 24.0 dBm	+ 19.5 dBm

2. MUTE CHECK

The output condition can be selected by using SUB-MENU.  
The signal is output in digital full bit without including the head margin.

2. MUTE CHECK

サブメニューで出力の状態を選択できます。  
ヘッドマージンを含まず、デジタルフルビットで出力されます。

2-1 MUTE OFF (Volume -20 dB)

2-1 MUTE OFF (Volume -20 dB)

Input level (AUX IN)	SPEAKER OUTPUT (1 kHz) FRONT L/R	SUBWOOFER (50Hz)
Both ch, -20 dBm	+ 4.0 dBm	- 0.5 dBm

2-2 SPEAKERS MUTE

2-2 SPEAKERS MUTE

Input level (AUX IN)	SPEAKER OUTPUT (1 kHz) FRONT L/R	SUBWOOFER (50Hz)
Both ch, -20 dBm	- ∞	- ∞

## NX-SW1000

### 2-3 FRONT L/R MUTE

Input level (AUX IN)	SPEAKER OUTPUT (1 kHz) FRONT L/R	SUBWOOFER (50Hz)
Both ch, -20 dBm	- 47.0 dBm	- 0.5 dBm

### 2-3 FRONT L/R MUTE

### 2-4 SUBWOOFER MUTE

Input level (AUX IN)	SPEAKER OUTPUT (1 kHz) FRONT L/R	SUBWOOFER (50Hz)
Both ch, -20 dBm	+ 4.0 dBm	- ∞ dBm

### 2-4 SUBWOOFER MUTE

### 3. RESERVED

Not applied to this model

### 3. RESERVED

このモデルには適応されません

### 4. OUTPUT PORT CHECK

### 4. OUTPUT PORT CHECK

4-1 Not applied to this model

4-1 このモデルには適応されません

4-2 Not applied to this model

4-2 このモデルには適応されません

### 4-3 PATTERN 1

### 4-3 PATTERN 1

### 4-4 PATTERN 2

### 4-4 PATTERN 2

Set the output port of the microprocessor to HIGH or LOW.

マイコンの出力ポートをHIGHまたはLOWにセットします。

#### PATTERN 1

Pin No.	Port name	Description	Pattern 1 (High)	Pattern 2 (Low)
71	LED0	Indicator for service D300 サービス用インジケータ	Lit	Off
69	LED2	Indicator for service D302 サービス用インジケータ	Lit	Off
76	/FMT	Front L/R mute control	On	Off
4	LIM	Limiter level control	High	Low
80	SWRY	Subwoofer output relay control	On	Off
52	RYC	Power relay control	On	Off
53	/PB_INT	Interrupt for I2C communication request	High	Low
29	Y-CLK	DVR-1000 communication	High	Low

#### PATTERN 2

Pin No.	Port name	Description	Pattern 1 (High)	Pattern 2 (Low)
70	LED1	Indicator for service D301 サービス用インジケータ	Off	Lit
68	LED3	Indicator for service D303 サービス用インジケータ	Off	Lit
77	/SWMT	Subwoofer mute control	Off	On
79	FRY	Front L/R output relay control	Off	On
30	Y-DAT	DVR-1000 communication	Low	High

## 5. TEST TONE

The built-in noise generator outputs the test noise through the channels specified by the sub-menu. The noise frequency for subwoofer is 35 to 250 Hz. Other than that, the center frequency is 800 Hz.

### 5-1 All CHANNEL

A test tone is output from all the speakers.

### 5-2 TURN CHANGEOVER

Every time the key of the numeric "2" (sub-menu 2 key) is pushed, a test tone is output in the following order more than a speaker.

#### 1. TEST ALL

Noise is output from all channels.  
全チャンネルからノイズを出力



## 5. TEST TONE

内蔵のノイズ発生回路から、サブメニューで指定したチャンネルへテストトーンを出力します。サブウーハー用のノイズ周波数は35～250 Hz、それ以外は中心周波数800 Hzとなります。

### 5-1 All CHANNEL

全スピーカーからテストトーンが出力されます。

### 5-2 TURN CHANGEOVER

数字キーの"2"キー(サブメニュー2のキー)を押す度に、以下の順序でスピーカーよりテストトーンが出力されます。

#### 2. TEST FRONT L

Noise is output from the FRONT L channel.  
FRONT Lチャンネルからノイズを出力



#### 4. TEST SUBWOOFER

Noise is output from the SUBWOOFER channel.  
SUBWOOFERチャンネルからノイズを出力



#### 3. TEST FRONT R

Noise is output from the FRONT R channel.  
FRONT Rチャンネルからノイズを出力

### 5-3 SUBWOOFER OUTPUT

A test tone is output from the subwoofer.

### 5-4 FRONT L/R 1kHz, SUBWOOFER 100Hz

A 1kHz sine wave is output at the FRONT L/R channel and a 100Hz sine wave at the SUBWOOFER channel.

### 5-3 SUBWOOFER OUTPUT

サブウーハーよりテストトーンが出力されます。

### 5-4 FRONT L/R 1kHz, SUBWOOFER 100Hz

FRONT L/Rチャンネルには1kHzのサイン波、SUBWOOFERチャンネルには100Hzのサイン波が出力されます。

## 6. RESERVED

Not applied to this model

## 6. RESERVED

このモデルには適応されません

## NX-SW1000

## 7. DEVICE CHECK

Self-diagnostic is performed to determine whether or not communication between devices of each IC and register access are correct.

## 7-1 DEVICE CHECK

Displayed / 表示				Description / 状態
D300	D301	D302	D303	
● (Off)	★ (Lit)	★ (Lit)	★ (Lit)	Normal / 正常
● (Off)	● (Off)	● (Off)	★ (Flashing)	マイコン( IC13 )とDIR( IC3 )間の不良
● (Off)	● (Off)	★ (Flashing)	● (Off)	マイコン( IC13 )とDSP( IC1 )/ SDRAM( IC5 )/ FLASH( IC7 )間の不良

7-2 Not applied to this model

7-3 Not applied to this model

7-4 Not applied to this model

## 7. DEVICE CHECK

各ICのデバイス間通信及びレジスタアクセスの正否を自己診断します。

## 7-1 DEVICE CHECK

7-2 このモデルには適応されません

7-3 このモデルには適応されません

7-4 このモデルには適応されません

## 8. CPU INFORMATION

## A 1 5

A: 1st digit

1: 2nd digit

5: 3rd digit

The indicator for service indicates the firmware version of the microprocessor in the binary system.

This indication is available only while the numeric key of each sub-menu on the remote controller is pressed.

\* *If all indicators for service are off or flashing, the firmware version is not correct.*

## 8-1 FIRMWARE VERSION

The 1st digit of the firmware version is indicated.

Displayed / 表示 (*1)				1st digit of version バージョン1桁目
D300	D301	D302	D303	
●	●	●	★	A
●	●	★	●	B
●	●	★	★	C
●	★	●	●	D
●	★	●	★	E
	●			●
	●			●
	●			●
	●			●

\*1..... ★ : Flashing / 点滅, ● : Off / 消灯

8-2 Not applied to this model

## 8. CPU INFORMATION

## A 1 5

A: 1桁目

1: 2桁目

5: 3桁目

マイコンのファームウェアバージョンをサービス用インジケータを使って、2進数にて表示します。

ただし、各サブメニューのリモコンの数字キーを押している間のみ表示されます。

\* サービス用インジケータがすべて消灯または点滅表示される場合、ファームウェアバージョンが正しくありません。

## 8-1 FIRMWARE VERSION

ファームウェアバージョン1桁目を表示します。

8-2 このモデルには適応されません

**8-3 SERIAL VERSION BIT 4-7**

The 2nd digit of the firmware version is indicated.

**8-3 SERIAL VERSION BIT 4-7**

ファームウェアバージョン2桁目を表示します。

**8-4 SERIAL VERSION BIT 0-3**

The 3rd digit of the firmware version is indicated.

**8-4 SERIAL VERSION BIT 0-3**

ファームウェアバージョン3桁目を表示します。

Displayed / 表示 (*1)				2nd, 3rd digit of version
D300	D301	D302	D303	バージョン2桁、3桁目
●	●	●	●	0
●	●	●	★	1
●	●	★	●	2
●	●	★	★	3
●	★	●	●	4
●	★	●	★	5
●	★	★	●	6
●	★	★	★	7
★	●	●	●	8
★	●	●	★	9

\*1..... ★ : Flashing / 点滅, ● : Off / 消灯

**9. EMC TEST (7ch stereo output)**

Output can be adjusted in the range of master volume control for -90 to 0 dB.

**9. EMC TEST (7ch ステレオ出力)**

出力は、マスターボリュームで-90 dB 0 dBの範囲で調節できます。

**10. RESERVED**

Not applied to this model

**10. RESERVED**

このモデルには適応されません

**11. RESERVED**

Not applied to this model

**11. RESERVED**

このモデルには適応されません

**12. RESERVED**

Not applied to this model

**12. RESERVED**

このモデルには適応されません

**13. DSP PROGRAM WRITING**

Used when writing the DSP firmware.

**13. DSP PROGRAM WRITING**

DSPのファームウェアを書き込むときに使用します。

**13-1 READY FOR WRITING**

Used to set to the mode ready for writing the DSP firmware.

**13-1 READY FOR WRITING**

DSPファームウェアの書き込みの待機状態にします。

**13-2 Not applied to this model**

13-2 このモデルには適応されません。

**13-3 Not applied to this model**

13-3 このモデルには適応されません。

**13-4 WRITING START**

Used to start writing the DSP firmware.

**13-4 WRITING START**

DSPファームウェアの書き込みを開始します。

**14 RESERVED**

Not applied to this model

**14 RESERVED**

このモデルには適応されません

## NX-SW1000

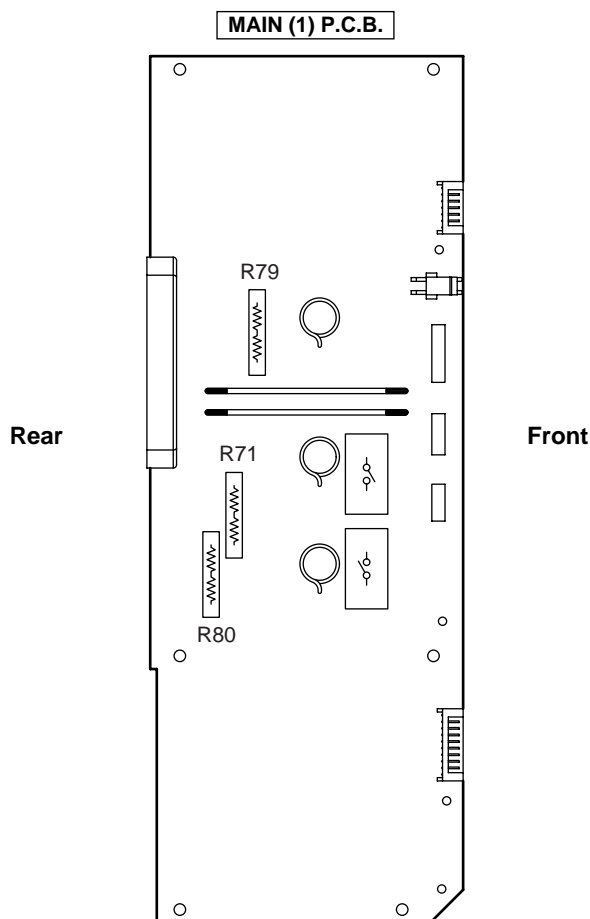
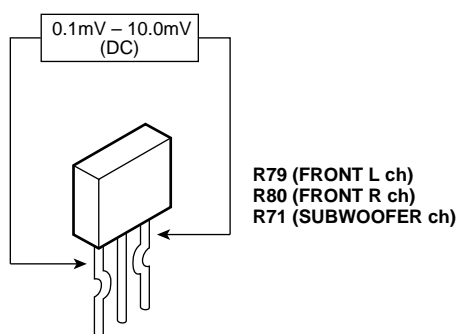
## ■ AMP ADJUSTMENT / アンプ調整

## CONFIRMATION OF IDLING CURRENT

- Right after power is turned on, confirm that the voltage across the terminals of R79 (FRONT L ch), R80 (FRONT R ch), R71 (SUBWOOFER ch) are between 0.1 mV and 10.0 mV.

## アイドル電流の確認

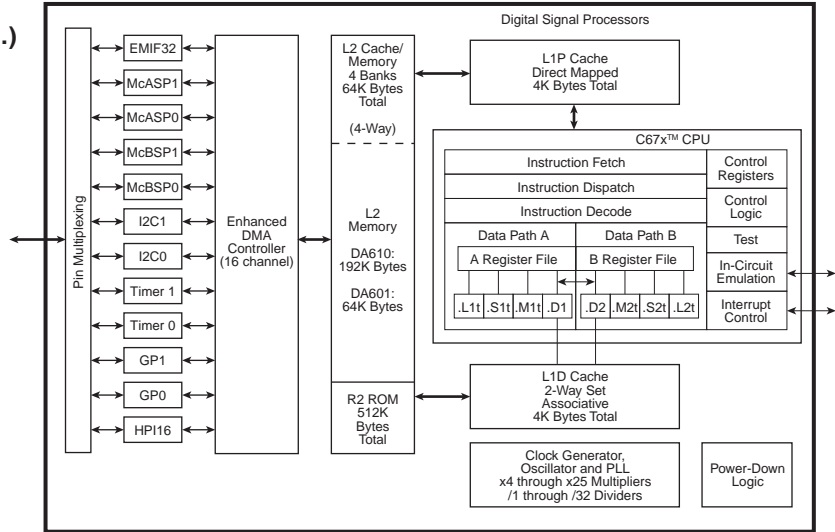
- 電源投入直後、R79 (FRONT L ch)、R80 (FRONT R ch)、R71 (SUBWOOFER ch)の端子間電圧を測定し、0.1 mVから10.0 mVの間であることを確認してください。



IC DATA

IC1: D60YA003BPYP225 (DSP (1) P.C.B.)  
Decoder

\* No replacement part available.  
サービス部品供給なし



No.	Port Name	I/O	Function	State1	State2	Signal Name	Explanation	Resistance
1	GP0[4]/EXT_INT4/AMUTEIN1	I/O	I	PU	default	DSP_MUTE3	DSP MUTE control "H" → MUTE	
2	GP0[6]/EXT_INT6	I/O	I/O/Z	PU	default	-	General purpose I/O port (no used)	13 kΩ
3	CVDD	POWER				P12V	1.2V power supply	
4	VSS	GND				DGND	Ground	
5	DVDD	POWER				P33V	3.3V power supply	
6	GP0[5]/EXT_INT5/AMUTEIN0	I/O	I/O/Z	PU	default	-	General purpose I/O port (no used)	13 kΩ
7	GP0[7]/EXT_INT7	I/O	I/O/Z	PU	default	-	General purpose I/O port (no used)	13 kΩ
8	SLKS1/SCL1	I	I		default	P33V	Outside pull up	10 kΩ
9	DVDD	POWER				P33V	3.3V power supply	
10	VSS	GND				DGND	Ground	
11	CVDD	POWER				P12V	1.2V power supply	
12	TINP1/AHCLKX0	I	I	PD	default	-	Inside pull down (timer1 input)	18 kΩ
13	TOUT1/AXR0[4]/AXR1[11]	I/O	I	PD	McASP1	-	Inside pull down (audio data input)	18 kΩ
14	CVDD	POWER				P12V	1.2V power supply	
15	VSS	GND				DGND	Ground	
16	CLKX0/ACLKX0	I/O	I/O/Z	PD	McASP0	-	Inside pull down (McASP0 transmission BCLK)	18 kΩ
17	TINP0/AXR0[3]/AXR1[12]	I/O	I	PD	McASP1	-	Inside pull down (audio data input)	18 kΩ
18	TOUT0/AXR0[2]/AXR1[13]	I/O	I	PD	McASP1	-	Inside pull down (audio data input)	18 kΩ
19	CLKR0/ACLKRO	I/O	I	PD	McASP0	DSP_BCK	DSP bit clock input	18 kΩ
20	DX0/AXR0[1]/AXR1[14]	I/O	I	PU	McASP0	-	Inside pull up (McASP0 sending and receiving data)	13 kΩ
21	FSX0/AFSX0	I/O	I/O/Z	PD	McASP0	-	Inside pull down (McASP0 transmission LRCLK)	18 kΩ
22	CVDD	POWER				P12V	1.2V power supply	
23	VSS	GND				DGND	Ground	
24	FSR0/AFSR0	I/O	I	PD	McASP0	DSP_WCK	DSP word clock input	18 kΩ
25	DVDD	POWER				P33V	3.3V power supply	
26	VSS	GND				DGND	Ground	
27	DR0/AXR0[0]/AXR1[15]	I/O	I	PU	McASP0	-	Inside pull up (McASP0 sending and receiving data)	13 kΩ
28	CLKS0/AHCLKRO	I/O	I/O/Z	PD	McASP0	-	Inside pull down (McASP0 transmission MCLK)	18 kΩ
29	CVDD	POWER				P12V	1.2V power supply	
30	VSS	GND				DGND	Ground	
31	FSX1	I/O	I	PD	McBSP1	DSP_CEN3	Chip enable "L" (McBSP1)	18 kΩ
32	DX1/AXR0[5]/AXR1[10]	I/O	I/O	PU	default	DSP_SDO3	Microcomputer I/F serial data OUT (McBSP1)	13 kΩ
33	CLKX1/AMUTE0	I/O	I/O	PD	default	DSP_SCK3	Chip enable "L" (McBSP1)	
34	VSS	GND				DGND	Ground	
35	CVDD	POWER				P12V	1.2V power supply	
36	CLKR1/AXR0[6]/AXR1[9]	I/O	I/O/Z	PD	default	-	Inside pull down (McBSP1 reception clock)	18 kΩ
37	DR1/SDA1	I	I		default	DSP_SDI3	Microcomputer I/F serial data IN (McBSP1)	
38	FSR1/AXR0[7]/AXR1[8]	I/O	I/O/Z	PD	default	-	Inside pull down (McBSP1 frame Sync)	18 kΩ
39	VSS	GND				DGND	Ground	
40	CVDD	POWER				P12V	1.2V power supply	
41	SCL0	I/O	I/O/Z			P33V	Outside pull up	10 kΩ



## NX-SW1000

No.	Port Name	I/O	Function	State1	State2	Signal Name	Explanation	Resistance
42	SDA0	I/O	I/O/Z			P33V	Outside pull up	10 kΩ
43	CVDD	POWER				P12V	1.2V power supply	
44	DVDD	POWER				P33V	3.3V power supply	
45	VSS	GND				DGND	Ground	
46	CVDD	POWER				P12V	1.2V power supply	
47	DVDD	POWER				P33V	3.3V power supply	
48	VSS	GND				DGND	Ground	
49	VSS	GND				DGND	Ground	
50	CVDD	POWER				P12V	1.2V power supply	
51	CVDD	POWER				P12V	1.2V power supply	
52	VSS	GND				DGND	Ground	
53	CVDD	POWER				P12V	1.2V power supply	
54	VSS	GND				DGND	Ground	
55	DVDD	POWER				P33V	3.3V power supply	
56	ARDY	I	I	PU		P33V	Outside pull up (Asynchronous system RAM Ready input)	10 kΩ
57	CE3N	O	Z	PU		-	Inside pull up (external memory enable 3)	13 kΩ
58	DVDD	POWER				P33V	3.3V power supply	
59	VSS	GND				DGND	Ground	
60	CVDD	POWER				P12V	1.2V power supply	
61	CE2N	O	Z	PU		-	Inside pull up (external memory enable 2)	13 kΩ
62	EA2	O	O	PU		EA2	Address bus for external memory	13 kΩ
63	EA3	O	O	PU		EA3	Address bus for external memory	13 kΩ
64	EA4	O	O	PU		EA3	Address bus for external memory	13 kΩ
65	DVDD	POWER				P33V	3.3V power supply	
66	VSS	GND				DGND	Ground	
67	CVDD	POWER				P12V	1.2V power supply	
68	EA5	O	O	PU		EA5	Address bus for external memory	13 kΩ
69	EA6	O	O	PU		EA6	Address bus for external memory	13 kΩ
70	EA7	O	O	PU		EA7	Address bus for external memory	13 kΩ
71	EA8	O	O	PU		EA8	Address bus for external memory	13 kΩ
72	DVDD	POWER				P33V	3.3V power supply	
73	VSS	GND				DGND	Ground	
74	EA9	O	O	PU		EA9	Address bus for external memory	13 kΩ
75	AOEN/SDRASN/SSOEN	O	O	PU		OENSDRASN	Asynchronous system RAM OE / SDRAM RAS	13 kΩ
76	EA10	O	O	PU		EA10	Address bus for external memory	13 kΩ
77	ECLKOUT	O	O	PD		SDCLKO	Clock output for EMIF	18 kΩ
78	ECLKIN	I	I	PD		-	Clock input for EMIF	18 kΩ
79	AREN/SDCASN/SSADSN	O	O	PU		SDCASN	SDRAM CAS	13 kΩ
80	CVDD	POWER				P12V	1.2V power supply	
81	VSS	GND				DGND	Ground	
82	CLKOUT2/GP0[2]	O	O/Z	PD	GP0	-	General purpose I/O port (no used)	18 kΩ
83	AWEN/SDWEN/SSWEN	O	O	PU		WEN	Asynchronous system RAM WE / SDRAM WE	13 kΩ
84	DVDD	POWER				P33V	3.3V power supply	
85	VSS	GND				DGND	Ground	
86	EA11	O	O	PU		EA11	Address bus for external memory	13 kΩ
87	DVDD	POWER				P33V	3.3V power supply	
88	VSS	GND				DGND	Ground	
89	CVDD	POWER				P12V	1.2V power supply	
90	EA14	O	O	PU		EA14	Address bus for external memory	13 kΩ
91	EA13	O	O	PU		EA13	Address bus for external memory	13 kΩ
92	EA16	O	O	PU		EA16	Address bus for external memory	13 kΩ
93	EA12	O	O	PU		EA12	Address bus for external memory	13 kΩ
94	EA15	O	O	PU		EA15	Address bus for external memory	13 kΩ
95	EA18	O	O	PU		EA18	Address bus for external memory	13 kΩ
96	CVDD	POWER				P12V	1.2V power supply	
97	VSS	GND				DGND	Ground	
98	DVDD	POWER				P33V	3.3V power supply	
99	EA17	O	O	PU		EA17	Address bus for external memory	13 kΩ
100	EA19	O	O	PU		EA20	Address bus for external memory	13 kΩ
101	EA20	O	O	PU		EA11	Address bus for external memory	13 kΩ

No.	Port Name	I/O	Function	State1	State2	Signal Name	Explanation	Resistance
102	CE0N	O	Z	PU		CE0N	Inside pull up (external memory enable 3)	13 kΩ
103	CE1N	O	Z	PU		CE1N	Inside pull up (external memory enable 3)	13 kΩ
104	CVDD	POWER				P12V	1.2V power supply	
105	CVDD	POWER				P12V	1.2V power supply	
106	VSS	GND				DGND	Ground	
107	DVDD	POWER				P33V	3.3V power supply	
108	BE1N	O	O	PU		BE1N	Byte Enable control 1 for external memory	13 kΩ
109	EA21	O	O	PU		EA21	Address bus for external memory	13 kΩ
110	BE0N	O	O	PU		BE0N	Byte Enable control 0 for external memory	13 kΩ
111	ED13/GP1[13]	I/O	I/O/Z	PU	default	ED13	Data bus for external memory	13 kΩ
112	ED15/GP1[15]	I/O	I/O/Z	PU	default	ED15	Data bus for external memory	13 kΩ
113	ED14/GP1[14]	I/O	I/O/Z	PU	default	ED14	Data bus for external memory	13 kΩ
114	DVDD	POWER				P33V	3.3V power supply	
115	VSS	GND				DGND	Ground	
116	CVDD	POWER				P12V	1.2V power supply	
117	ED11/GP1[11]	I/O	I/O/Z	PU	default	ED11	Data bus for external memory	13 kΩ
118	ED12/GP1[12]	I/O	I/O/Z	PU	default	ED12	Data bus for external memory	13 kΩ
119	ED9/GP1[9]	I/O	I/O/Z	PU	default	ED9	Data bus for external memory	13 kΩ
120	ED10/GP1[10]	I/O	I/O/Z	PU	default	ED10	Data bus for external memory	13 kΩ
121	ED6/GP1[6]	I/O	I/O/Z	PU	default	ED6	Data bus for external memory	13 kΩ
122	ED7/GP1[7]	I/O	I/O/Z	PU	default	ED7	Data bus for external memory	13 kΩ
123	ED8/GP1[8]	I/O	I/O/Z	PU	default	ED8	Data bus for external memory	13 kΩ
124	CVDD	POWER				P12V	1.2V power supply	
125	VSS	GND				DGND	Ground	
126	DVDD	POWER				P33V	3.3V power supply	
127	ED4/GP1[4]	I/O	I/O/Z	PU	default	ED4	Data bus for external memory	13 kΩ
128	ED5/GP1[5]	I/O	I/O/Z	PU	default	ED5	Data bus for external memory	13 kΩ
129	ED3/GP1[3]	I/O	I/O/Z	PU	default	ED3	Data bus for external memory	13 kΩ
130	ED2/GP1[2]	I/O	I/O/Z	PU	default	ED2	Data bus for external memory	13 kΩ
131	ED1/GP1[1]	I/O	I/O/Z	PU	default	ED1	Data bus for external memory	13 kΩ
132	ED0/GP1[0]	I/O	I/O/Z	PU	default	ED0	Data bus for external memory	13 kΩ
133	CVDD	POWER				P12V	1.2V power supply	
134	VSS	GND				DGND	Ground	
135	HINTN/GP0[1]	I/O	I/O/Z	PU	GP0	DSP_BUSYN3	DSP BUSY signal output	13 kΩ
136	BUSREQ	O	O	PU		-	Bus request output for external memory	13 kΩ
137	HOLDAN	O	O	PU		-	Hold request output approval for external memory	13 kΩ
138	HOLDN	I	I			P33V	Outside pull up (Hold request for external memory)	4.7 kΩ
139	HHWIL/AFSR1	I/O	I	PU	McASP1	DIR_WCK	DIR word clock input (McASP1)	13 kΩ
140	HRDY/ACLKR1	I/O	I	PD	McASP1	DIR_BCK	DIR bit clock input (McASP1)	18 kΩ
141	DVDD	POWER				P33V	3.3V power supply	
142	VSS	GND				DGND	Ground	
143	HR/W/AXR0[15]/AXR1[0]	I/O	I	PU	McASP1	DIR_SDO	DIR audio data input (McASP1)	13 kΩ
144	HCNTL1/AXR0[14]/AXR1[1]	I/O	I/O/Z	PU	McASP1	-	Inside pull up (McASP1 sending and receiving data)	13 kΩ
145	HCS/AXR0[13]/AXR1[2]	I/O	O	PU	McASP1	DSP_SW	Audio data output (SW/-)	13 kΩ
146	HCNTL0/AXR0[12]/AXR1[3]	I/O	O	PU	McASP1	DSP_S	Audio data output (SL/SR)	13 kΩ
147	HD0/AXR0[11]/AXR1[4]	I/O	O	PU	McASP1	DSP_C	Audio data output (CL/CR)	13 kΩ
148	VSS	GND				DGND	Ground	
149	CVDD	POWER				P12V	1.2V power supply	
150	HDS2/AXR0[10]/AXR1[5]	I/O	O	PU	McASP1	DSP_F	Audio data output (FL/FR)	13 kΩ
151	HDS1N/AXR0[9]/AXR1[6]	I/O	I/O/Z	PU	McASP1	-	Inside pull up (McASP1 sending and receiving data)	13 kΩ
152	HD1/AXR0[8]/AXR1[7]	I/O	I	PU	McASP0	DIR_SDO	Audio data input (DIR)	13 kΩ
153	HASN/ACLKX1	I/O	O	PU	McASP1	DSP_BCK	DSP bit clock output	13 kΩ
154	HD3/AMUTE1	I/O	I	PU	default	DGND	Outside pull up (Dvice config)	1 kΩ
155	HD2/AFSX1	I/O	I	PU	McASP0	DSP_WCK	DSP word clock output	13 kΩ
156	HD4/GP0[0]	I/O	I/O	PD	both	DSP_RDYN3	Microcomputer I/F ready signal output (outside pull up)	1 kΩ
157	CVDD	POWER				P12V	1.2V power supply	
158	VSS	GND				DGND	Ground	
159	HD5/AHCLKX1	I/O	I	PU	McASP1	DIR_MCK	DIR master clock input (McASP1)	13 kΩ
160	HD8/GP0[8]	I/O	I/O/Z	PU	both	P33V	Outside pull up (Dvice config)	13 kΩ
161	HD6/AHCLKR1	I/O	I/O/Z	PU	McASP1	DGND	Out side pull up (McASP1 reception MCLK)	47 Ω

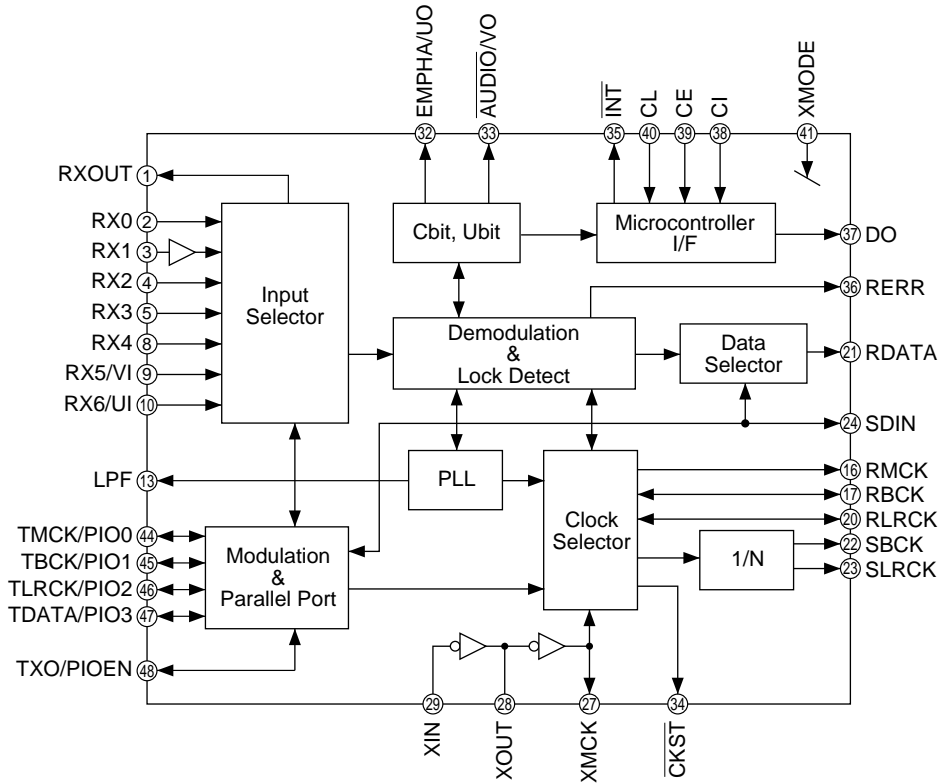
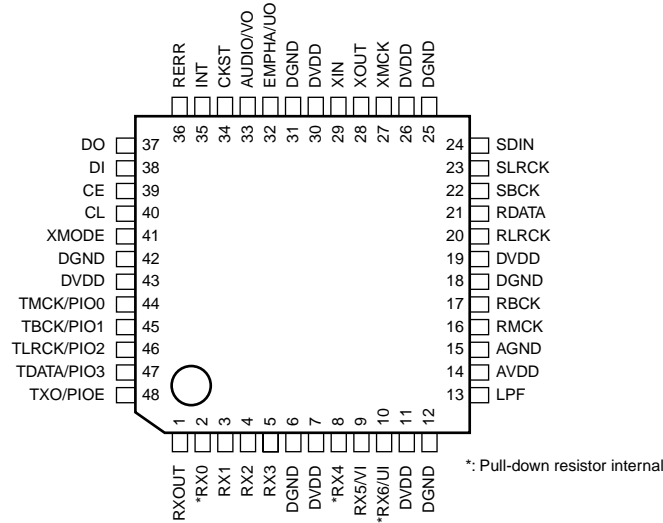
## NX-SW1000

No.	Pin Name	I/O	Function	State1	State2	Signal Name	Explanation	Resistance
162	DVDD	POWER				P33V	3.3V power supply	
163	VSS	GND				DGND	Ground	
164	HD7/GP0[3]	I/O	O	PU	GP0	DSP_INT3	DSP interrupt signal output	13 kΩ
165	HD9/GP0[9]	I/O	O	PU	GP0	-	General purpose I/O port (no used)	13 kΩ
166	HD10/GP0[10]	I/O	O	PU	GP0	-	General purpose I/O port (no used)	13 kΩ
167	HD11/GP0[11]	I/O	O	PU	GP0	-	General purpose I/O port (no used)	13 kΩ
168	HD12/GP0[12]	I/O	O	PU	GP0	-	General purpose I/O port (Microphone input select signal no used)	13 kΩ
169	CVDD	POWER				P12V	1.2V power supply	
170	VSS	GND				DGND	Ground	
171	CVDD	POWER				P12V	1.2V power supply	
172	HD13/GP0[13]	I/O	I	PU	default	P33V	Outside pull up (Dvice config)	1 kΩ
173	HD14/GP0[14]	I/O	I	PU	default	DGND	Outside pull down (Dvice config)	1 kΩ
174	HD15/GP0[15]	I/O	I	PU	GP0	-	General purpose I/O port (Microphone detection select signal no used)	13 kΩ
175	NMI	I	I	PD		P33V	Outside pull up (Non maskable Interrupt)	1 kΩ
176	RESETN	I	I			DSP_ICN3	Device reset signal "L"	
177	CVDD	POWER				P12V	1.2V power supply	
178	OSCIN	I	I			DGND	Outside pull down (XTL input terminal)	2.2 Ω
179	OSCOU	O	O			-	XTL output terminal	
180	OSCVSS	GND				-	GND for XTL (Internal connection)	
181	OSCVDD	POWER				-	Power supply for XTL (Internal connection)	
182	VSS	GND				DGND	Ground	
183	DVDD	POWER				P33V	3.3V power supply	
184	CLKOUT3	O	O	PD		-	Programmable clock output	13 kΩ
185	EMU1	I/O	I/O/Z	PU		EMU1	JTAG Emulation PIN1 (Outside pull down)	4.7 kΩ
186	EMU0	I/O	I/O/Z	PU		EMU0	JTAG Emulation PIN0 (Outside pull down)	4.7 kΩ
187	TDO	O	O	PU		TDO	JTAG data output	13 kΩ
188	DVDD	POWER				P33V	3.3V power supply	
189	VSS	GND				DGND	Ground	
190	CVDD	POWER				P12V	1.2V power supply	
191	TDI	I	I	PU		TDI	JTAG data input	13 kΩ
192	TMS	I	I	PU		TMS	JTAG mode select	13 kΩ
193	TCK	I	I	PU		TCK	JTAG clock	13 kΩ
194	VSS	GND				DGND	Ground	
195	CVDD	POWER				P12V	1.2V power supply	
196	CVDD	POWER				P12V	1.2V power supply	
197	TRSTN	I	I	PD		TRSTN	JTAG reset signal	18 kΩ
198	RSV2	-	-	-	-	-	Reserved	
199	VSS	GND				DGND	Ground	
200	RSV0	-	-	-	-	-	Reserved	
201	CVDD	POWER				P12V	1.2V power supply	
202	PLLHV	POWER				P33V	Analog power supply for PLL	
203	RSV1	-	-	-	-	DGND	Ground	
204	CLKIN	I	I	PD		XMCK	System clock input	18 kΩ
205	CLKMODE0	I	I	PU		P33V	Outside pull up (PLL clock select "H" : CLKIN)	4.7 kΩ
206	DVDD	POWER				P33V	3.3V power supply	
207	VSS	GND				DGND	Ground	
208	CVDD	POWER				P12V	1.2V power supply	

# NX-SW1000

**IC4: LC89057W-VF4AD-E (DSP (1) P.C.B.)**  
**Digital Audio Interface Transceiver**

DVX-1000

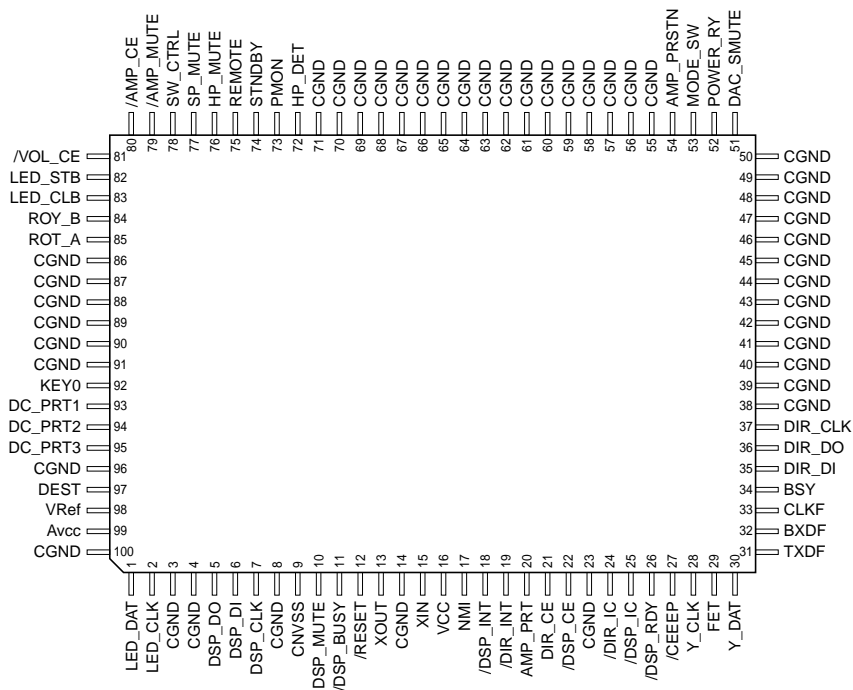
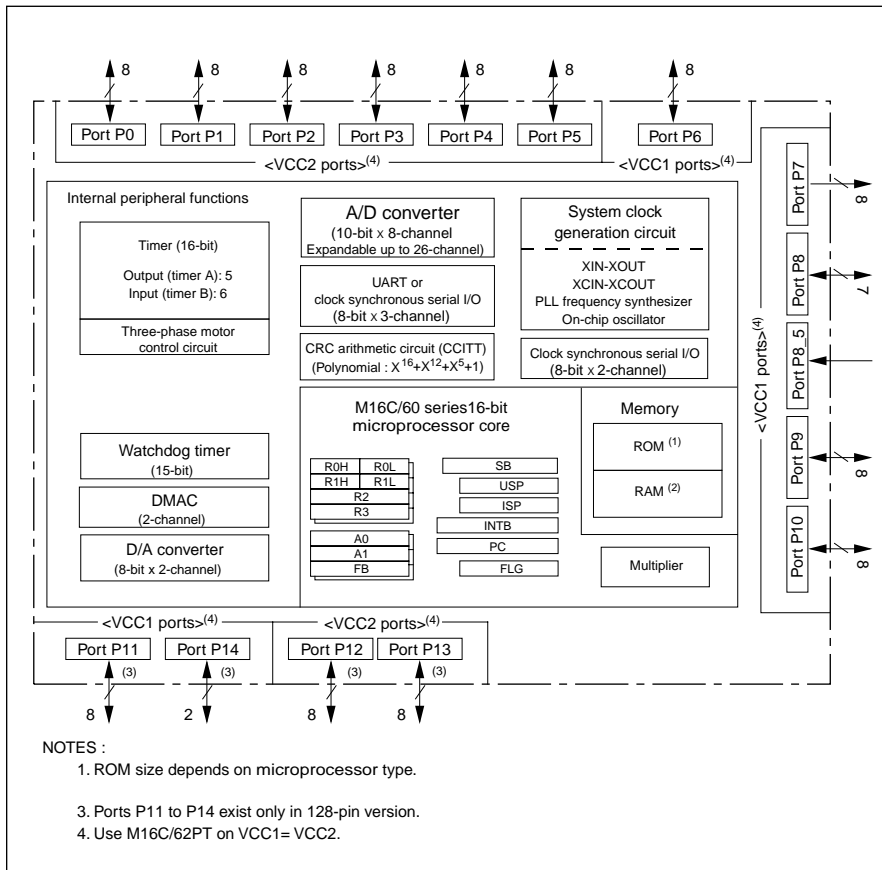


<b>NX-SW1000</b>
------------------

Pin No.	Function Name	I/O	Detail of Function
1	RXOUT	O	Output pin of input bi-phase selection data
2	RX0	Is	Input pin of TTL-compatible digital data
3	RX1	I	Digital data input pin with built-in amplifier that supports coaxial
4	RX2	Is	Input pin of TTL-compatible digital data
5	RX3	Is	Input pin of TTL-compatible digital data
6	DGND		Digital GND
7	DVDD		Digital power supply (3.3 V)
8	RX4	Is	Input pin of TTL-compatible digital data
9	RX5	Is	TTL-compatible digital data / Validity flag input pin for modulation
10	RX6	Is	TTL-compatible digital data / User data input pin for modulation
11	DVDD		Digital power supply for PLL
12	DGND		Digital GND for PLL
13	LPF	O	PLL loop filter connection pin
14	AVDD		Analog power supply for PLL (3.3 V)
15	AGND		Analog GND for PLL
16	RMCK	O	R system clock output pin (256 fs, 512 fs, XIN, VCO)
17	RBCK	O/I	R bit clock input/output pin (64 fs)
18	DGND		Digital GND
19	DVDD		Digital power supply (3.3 V)
20	RLRCK	O/I	R LR clock input/output pin (fs)
21	RDATA	O	Output pin of serial audio data
22	SBCK	O	S bit clock output pin (32 fs, 64 fs, 128 fs) (No connected.)
23	SLRCK	O	S LR clock output pin (fs/2, fs, 2 fs) (No connected.)
24	SDIN	Is	Input pin of serial audio data
25	DGND		Digital GND
26	DVDD		Digital power supply (3.3 V)
27	XMCK	O	Oscillation amplifier output pin
28	XOUT	O	Quartz resonator connection output pin
29	XIN	I	Quartz resonator connection, input pin of external supply clock (24.576 MHz or 12.288 MHz)
30	DVDD		Digital power supply (3.3 V)
31	DGND		Digital GND
32	EMPHA/UO/CD	I/O	Emphasis information / U data output / C data output / Chip address setting pin
33	AUDIO/VO	I/O	Non-PCM detection / V flag output / Chip address setting pin
34	CKST/PT	I/O	Output of clock switch transitional period signal / Preamble B output / Demodulation master or slave function switch pin
35	INT	I/O	Interrupt output for microprocessor (Possible to select an interrupt factor.) / Modulation or general-purpose I/O switch pin
36	RERR	O	PLL clock error, data error flag output (No connected.)
37	DO	O	Microprocessor I/F, read data output pin (3-state)
38	DI	Is	Microprocessor I/F, write data input pin
39	CE	Is	Microprocessor I/F, chip enable input pin
40	CL	Is	Microprocessor I/F, clock input pin "
41	XMODE	Is	System reset input pin
42	DGND		Digital GND
43	DVDD		Digital power supply (3.3 V)
44	PIO0	I/O	512 fs, 256 fs, 128 fs system clock input for modulation or external / General-purpose I/O input/output pin
45	PIO1	I/O	64 fs bit clock input for modulation / General-purpose I/O input/output pin
46	PIO2	I/O	fs clock input for modulation / General-purpose I/O input/output pin
47	PIO3	I/O	Serial audio data input for modulation / General-purpose I/O input/output pin
48	PIOEN	I/O	Modulation data output / General-purpose I/O enable output pin

- 1) Withstand voltage input/output: I or O = -0.3 to 3.6 V, Is = -0.3 to 5.5 V
- 2) Pins 32 and 33 are input pins for chip address setting, when pin 41 = "L".
- 3) Pin 34 is a demodulation function master or an input pin for slave setting, when pin 41 = "L".
- 4) Pin 35 is a modulation function or an input pin for general-purpose I/O function switch setting, when pin 41 = "L".
- 5) ON/OFF for all power supplies must be done at the same timing as a latch-up countermeasure.

IC13: M30626FHPFP (DSP (1) P.C.B.)  
Microprocessor



## NX-SW1000

Pin No.	Pin Name	Function	Name	I/O Type	Description
1	P9_6/ANEX1/SOUT4	SOUT4		O	Send Data to E-Vol
2	P9_5/ANEX0/CLK4	CLK4		O	Serial Clock for E-VOI Communication
3	P9_4/DA1/TB4IN	-			pull down
4	P9_3/DA0/TB3IN	DA0	LIM	O	Limiter Level Control
5	P9_2/TB2IN/SOUT3	SOUT3		O	Send Data to D60Y
6	P9_1/TB1IN/SIN3	SIN3		I	Receive Data from D60Y
7	P9_0/TB0IN/CLK3	CLK3		O	Serial Clock for D60Y Communication
8	BYTE	-			VSS
9	CNVSS	CNVSS		I	Normal:L, Flash Update:H
10	P8_7/XCIN	P87		O	Mute D60Y
11	P8_6/XCOUT	P86		I	D60Y Busy Detection
12	RESET	RESET		I	Reset uP
13	XOUT	XOUT		O	For Main Clock Circuit
14	VSS	-			VSS
15	XIN	XIN		I	For Main Clock Circuit
16	VCC1	-			VCC1
17	P8_5/NMI	-			pull up (VCC1)
18	P8_4/INT2/ZP	INT2		I	D60Y Interrupt
19	P8_3/INT1	INT1		I	DIR Interrupt
20	P8_2/INT0	INT0		I	Power Down Detection
21	P8_1/TA4IN/U	P8_1		O	DIR Chip Enable
22	P8_0/TA4OUT/U	P8_0		O	D60Y Chip Enable
23	P7_7/TA3IN	P7_7		O	CODEC Reset
24	P7_6/TA3OUT	P7_6		O	DIR Reset
25	P7_5/TA2IN/W	P7_5		O	D60Y Reset
26	P7_4/TA2OUT/W	P7_4		I	D60Y Ready
27	P7_3/CTS2/RTS2/TA1IN/V	P7_3		O	EEPROM Chip Enable (reserve)
28	P7_2/CLK2/TA1OUT/V	-			pull down
29	P7_1/RXD2/SCL2/TA0IN/TB5IN	SCL2		I/O	Central Unit Communication
30	P7_0/TXD2/SDA2/TA0OUT	SDA2		I/O	Central Unit Communication
31	P6_7/TXD1/SDA1	TXD1		O	Send Data to External JIG
32	P6_6/RXD1/SCL1	RXD1		I	Receive Data from External JIG
33	P6_5/CLK1	CLK1		I/O	Serial Clock for External JIG
34	P6_4/CTS1/RTS1/CTS0/CLKS1	RTS1		O	BUSY Output for External JIG
35	P6_3/TXD0/SDA0	TXD0		O	Send Data to DIR
36	P6_2/RXD0/SCL0	RXD0		I	Receive Data from DIR
37	P6_1/CLK0	CLK0		O	Serial Clock for DIR Communication
38	P6_0/CTS0/RTS0	-			pull down
39	P5_7/RDY/CLKOUT	-			pull down
40	P5_6/ALE	-			pull down
41	P5_5/HOLD	P5_5		I	pull down (/EPM for External JIG)
42	P5_4/HLDA	-			pull down
43	P5_3/BCLK	-			pull down
44	P5_2/RD	-			pull down
45	P5_1/WRH/BHE	-			pull down
46	P5_0/WRL/WR	P5_0		I	pull up (VCC2) (/CE for External JIG)
47	P4_7/CS3	-			pull down
48	P4_6/CS2	-			pull down
49	P4_5/CS1	-			pull down
50	P4_4/CS0	-			pull down

**NX-SW1000**

DVX-1000

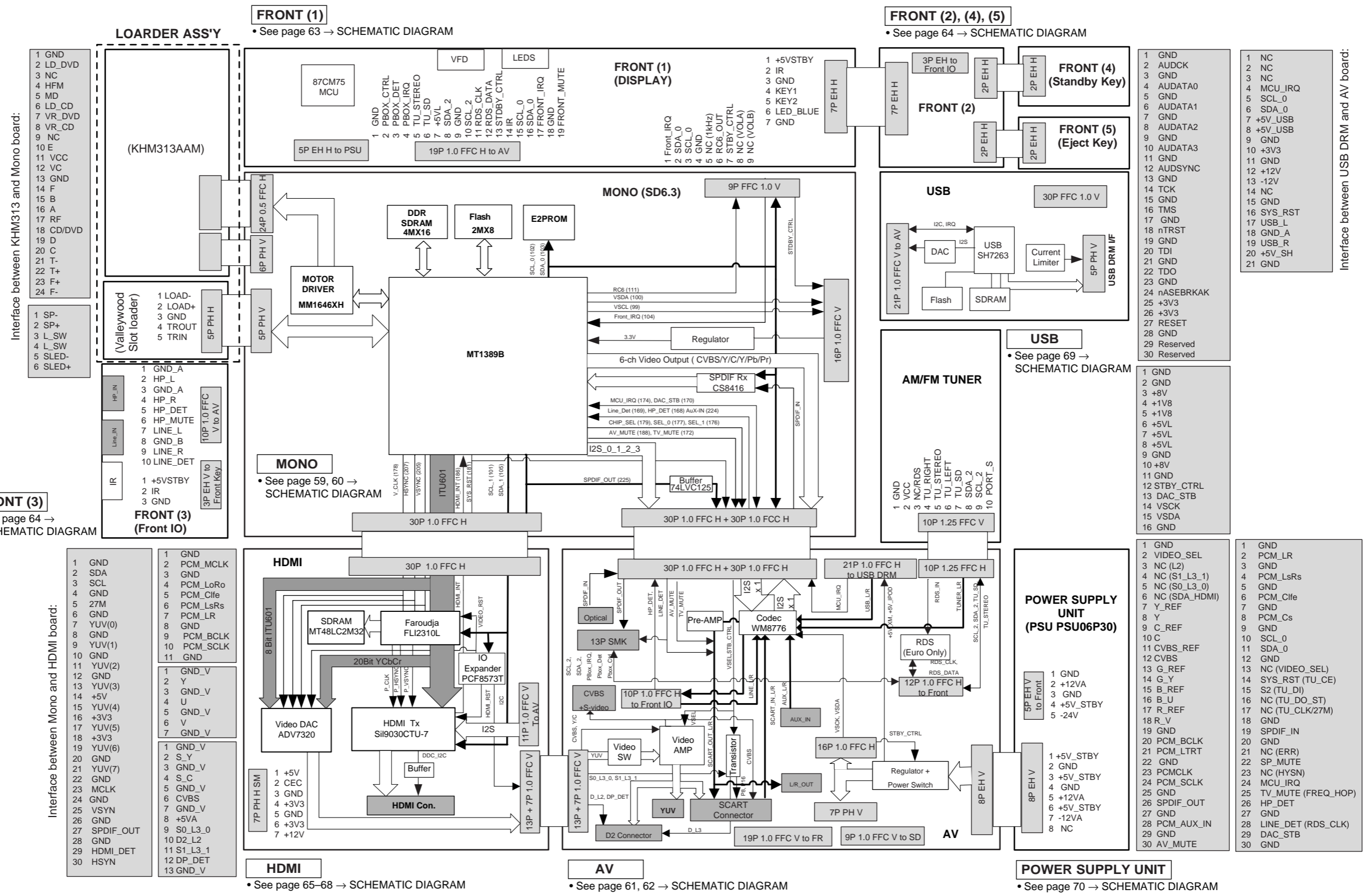
Pin No.	Pin Name	Function	Name	I/O Type	Description
51	P4_3/A19	P4_3		O	CODEC Soft Mute
52	P4_2/A18	P4_2		O	Power Relay Control
53	P4_1/A17	P4_1		O	Interrupt for I2C communication request
54	P4_0/A16	-			pull down
55	P3_7/A15	-			pull down
56	P3_6/A14	-			pull down
57	P3_5/A13	-			pull down
58	P3_4/A12	-			pull down
59	P3_3/A11	-			pull down
60	P3_2/A10	-			pull down
61	P3_1/A9	-			pull down
62	VCC2	VCC2			VCC2
63	P3_0/A8(/-/D7)	-			pull down
64	VSS	VSS			VSS
65	P2_7/AN2_7/A7(/D7/D6)	-			pull down
66	P2_6/AN2_6/A6(/D6/D5)	-			pull down
67	P2_5/AN2_5/A5(/D5/D4)	-			pull down
68	P2_4/AN2_4/A4(/D4/D3)	P2_4		O	LED3
69	P2_3/AN2_3/A3(/D3/D2)	P2_3		O	LED2
70	P2_2/AN2_2/A2(/D2/D1)	P2_2		O	LED1
71	P2_1/AN2_1/A1(/D1/D0)	P2_1		O	LED0
72	P2_0/AN2_0/A0(/D0/-)	P2_0		I	Mute Request from the Center Unit
73	P1_7/D15/INT5	P1_7	PRI	I	Protection by Electric Current Observation
74	P1_6/D14/INT4	P1_6		I	Self-mode SW
75	P1_5/D13/INT3	INT3		I	RC Signal Detection
76	P1_4/D12	P1_4	/FMT	O	Front Speaker Mute Control
77	P1_3/D11	P1_3	/SWMT	O	Sub Woofer Mute Control
78	P1_2/D10	P1_2	/SPMT	O	Speaker Mute
79	P1_1/D9	P1_1	FRY	O	Front Speaker Relay Drive
80	P1_0/D8	P1_0	SWRY	O	Sub Woofer Speaker Relay Drive
81	P0_7/AN0_7/D7	P0_7		O	E-Vol Chip Enable
82	P0_6/AN0_6/D6	-			pull down
83	P0_5/AN0_5/D5	-			pull down
84	P0_4/AN0_4/D4	-			pull down
85	P0_3/AN0_3/D3	-			pull down
86	P0_2/AN0_2/D2	-			pull down
87	P0_1/AN0_1/D1	-			pull down
88	P0_0/AN0_0/D0	-			pull down
89	P10_7/AN7/KI3	-			pull down
90	P10_6/AN6/KI2	-			pull down
91	P10_5/AN5/KI1	AN5	PLDET	I	Protection by Total Output Level
92	P10_4/AN4/KI0	AN4	THM	I	Heat Protection
93	P10_3/AN3	AN3	PRV3	I	DC Protection 3
94	P10_2/AN2	AN2	PRV2	I	DC Protection 2
95	P10_1/AN1	AN1	PRV1	I	DC Protection 1
96	AVSS	AVSS			AVSS
97	P10_0/AN0	AN0	PRD	I	DC Protection on amp output
98	VREF	VREF			VREF
99	AVCC	AVCC			VCC1
100	P9_7/ADTRG/SIN4	-			pull down



BLOCK DIAGRAMS

DVR-1000

BLOCK DIAGRAM



Interface between KHM313 and Mono board:

- 1 GND
- 2 LD\_DVD
- 3 NC
- 4 HFM
- 5 MD
- 6 LD\_CD
- 7 VR\_DVD
- 8 VR\_CD
- 9 NC
- 10 E
- 11 VCC
- 12 VC
- 13 GND
- 14 F
- 15 B
- 16 A
- 17 RF
- 18 CD/DVD
- 19 D
- 20 C
- 21 T-
- 22 T+
- 23 F+
- 24 F-

- 1 SP-
- 2 SP+
- 3 L\_SW
- 4 L\_SW
- 5 SLED-
- 6 SLED+

- 1 LOAD-
- 2 LOAD+
- 3 GND
- 4 TROUT
- 5 TRIN

- 1 GND\_A
- 2 HP\_L
- 3 GND\_A
- 4 HP\_R
- 5 HP\_DET
- 6 HP\_MUTE
- 7 LINE\_L
- 8 GND\_B
- 9 LINE\_R
- 10 LINE\_DET

- 1 +5VSTBY
- 2 IR
- 3 GND

FRONT (3) See page 64 → SCHEMATIC DIAGRAM

Interface between Mono and HDMI board:

- 1 GND
- 2 SDA
- 3 SCL
- 4 GND
- 5 27M
- 6 GND
- 7 YUV(0)
- 8 GND
- 9 YUV(1)
- 10 GND
- 11 YUV(2)
- 12 GND
- 13 YUV(3)
- 14 +5V
- 15 YUV(4)
- 16 +3V3
- 17 YUV(5)
- 18 +3V3
- 19 YUV(6)
- 20 GND
- 21 YUV(7)
- 22 GND
- 23 MCLK
- 24 GND
- 25 VSYN
- 26 GND
- 27 SPDIF\_OUT
- 28 GND
- 29 HDML\_DET
- 30 HSYN

- 1 GND\_MCLK
- 2 PCM\_MCLK
- 3 GND
- 4 PCM\_LoRo
- 5 PCM\_ClfE
- 6 PCM\_LsRs
- 7 PCM\_LR
- 8 GND
- 9 PCM\_BCLK
- 10 PCM\_SCLK
- 11 GND

HDMI See page 65-68 → SCHEMATIC DIAGRAM

AV See page 61, 62 → SCHEMATIC DIAGRAM

POWER SUPPLY UNIT See page 70 → SCHEMATIC DIAGRAM

- 1 GND
- 2 AUDCK
- 3 GND
- 4 AUDATA0
- 5 GND
- 6 AUDATA1
- 7 GND
- 8 AUDATA2
- 9 GND
- 10 AUDATA3
- 11 GND
- 12 AUDSYNC
- 13 GND
- 14 TCK
- 15 GND
- 16 TMS
- 17 GND
- 18 nTRST
- 19 GND
- 20 TDI
- 21 GND
- 22 TDO
- 23 GND
- 24 nASEBRKAK
- 25 +3V3
- 26 +3V3
- 27 RESET
- 28 GND
- 29 Reserved
- 30 Reserved

- 1 NC
- 2 NC
- 3 NC
- 4 MCU\_IRQ
- 5 SCL\_0
- 6 SDA\_0
- 7 +5V\_USB
- 8 +5V\_USB
- 9 GND
- 10 +3V3
- 11 GND
- 12 +12V
- 13 -12V
- 14 NC
- 15 GND
- 16 SYS\_RST
- 17 GND
- 18 USB\_L
- 19 USB\_A
- 20 USB\_R
- 21 +5V\_SH
- 22 GND

Interface between USB DRM and AV board:

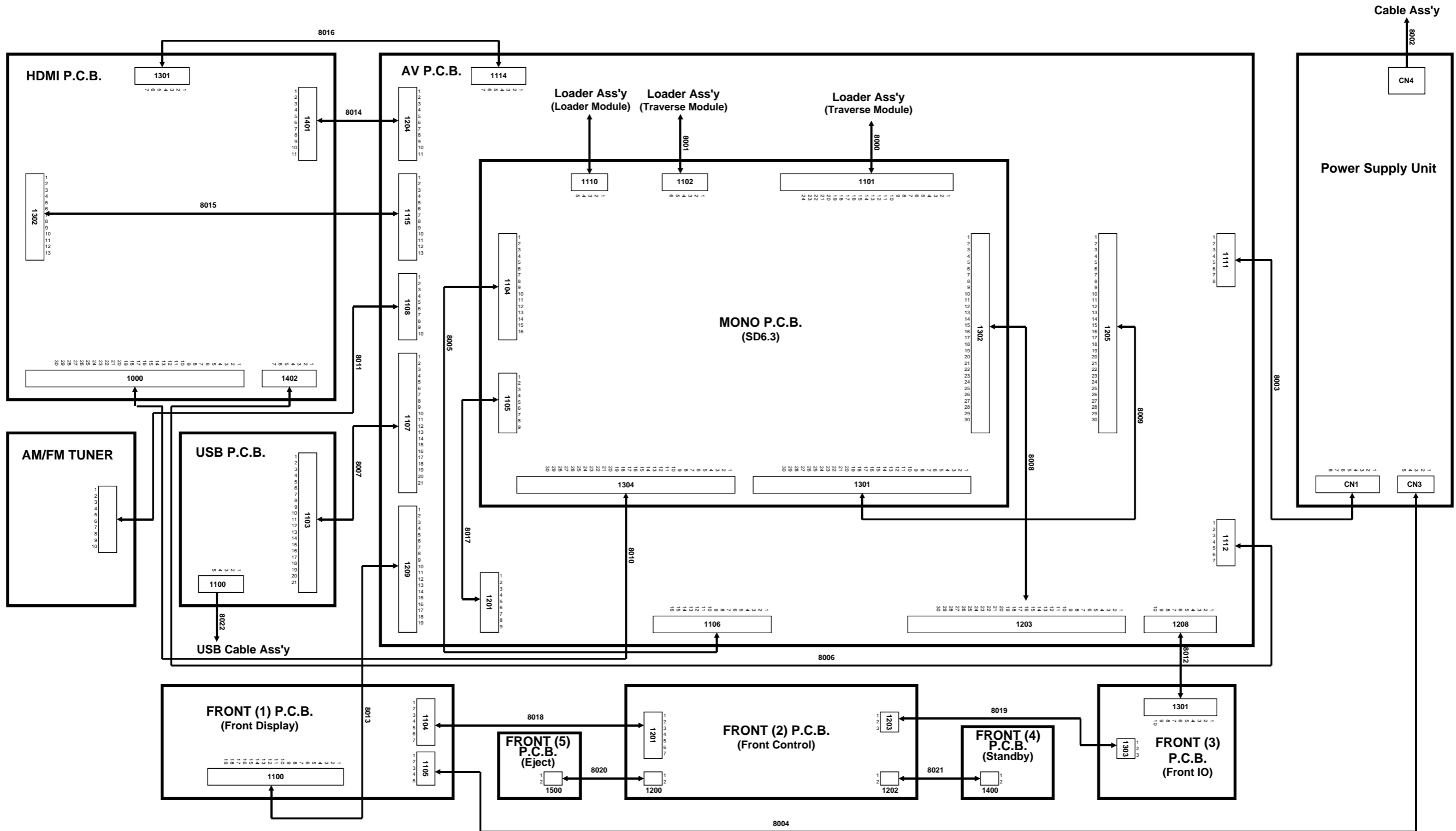
- 1 GND
- 2 GND
- 3 +8V
- 4 +1V8
- 5 +1V8
- 6 +5VL
- 7 +5VL
- 8 +5VL
- 9 GND
- 10 +8V
- 11 GND
- 12 STBY\_CTRL
- 13 DAC\_STB
- 14 VSCK
- 15 VSDA
- 16 GND

- 1 GND
- 2 VIDEO\_SEL
- 3 NC (L2)
- 4 NC (S1\_L3\_1)
- 5 NC (S0\_L3\_0)
- 6 NC (SDA\_HDMI)
- 7 Y\_REF
- 8 PCM-Cs
- 9 GND
- 10 SCL\_0
- 11 SDA\_0
- 12 GND
- 13 NC (VIDEO\_SEL)
- 14 SYS\_RST (TU\_CE)
- 15 S2 (TU\_DI)
- 16 B\_U
- 17 NC (TU\_CLK/27M)
- 18 R\_V
- 19 GND
- 20 PCM\_BCLK
- 21 PCM\_LTRT
- 22 GND
- 23 PCMCLK
- 24 PCM\_SCLK
- 25 GND
- 26 SPDIF\_OUT
- 27 GND
- 28 PCM\_AUX\_IN
- 29 DAC\_STB
- 30 AV\_MUTE

Interface between Mono and AV board:

DVR-1000

● WIRING DIAGRAM



NX-SW1000

A

● BLOCK DIAGRAM

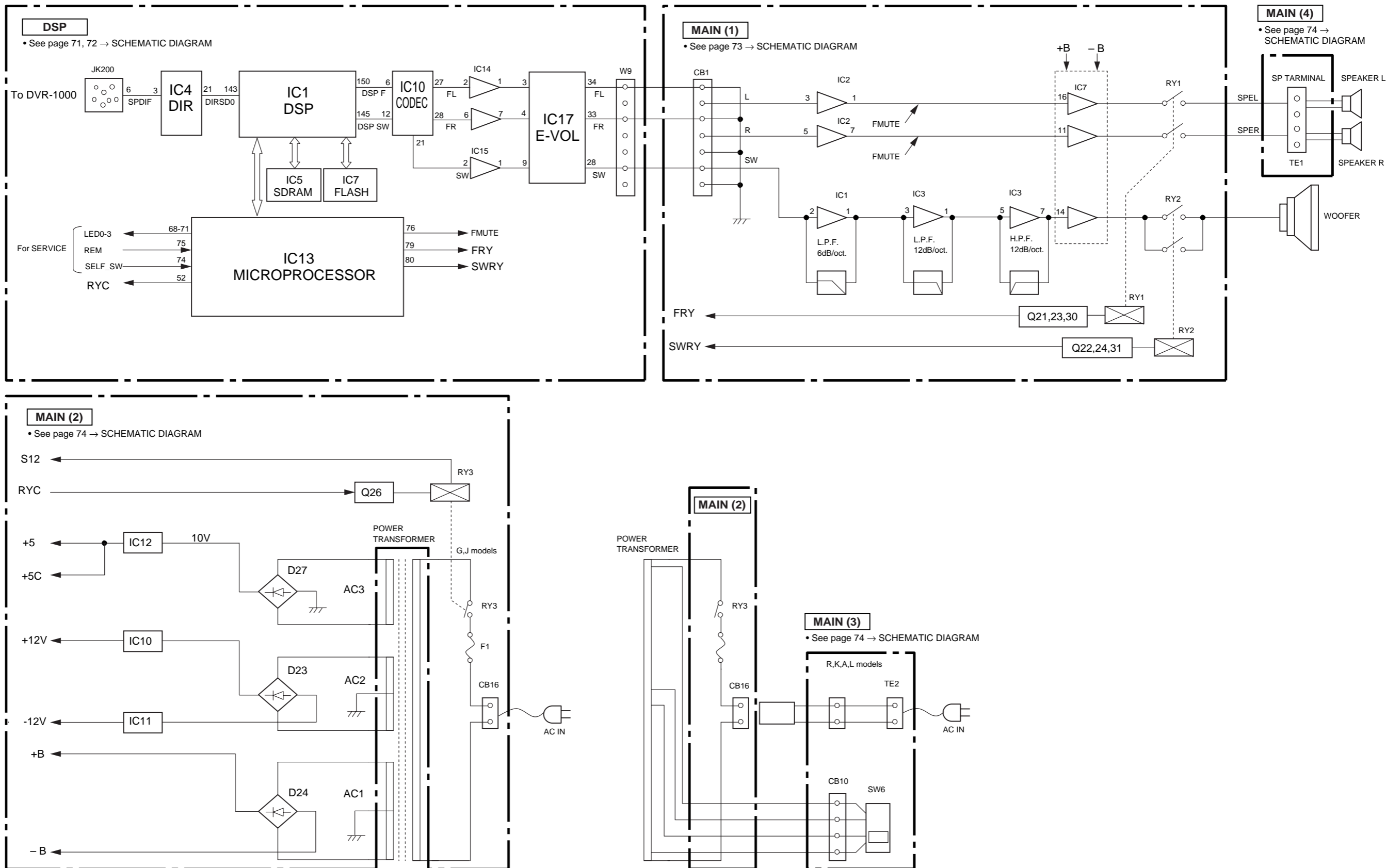
B

C

D

E

F



**PIN CONNECTION DIAGRAM**

**NX-SW1000**

**ICs**

<p>KIA7812API KIA7805API</p> <p>1: OUTPUT 2: COMMON 3: INPUT</p>	<p>KIA7912PI</p> <p>1: OUTPUT 2: INPUT 3: COMMON</p>	<p>KIA78L05BP</p> <p>1: OUTPUT 2: COMMON 3: INPUT</p>	<p>LM61CIZ</p> <p>3: GND 2: Vout 1: +Vs</p>	<p>μPC29M33T-E1-AZ</p> <p>1: INPUT 2: GND 3: OUTPUT 4: GND</p>	<p>PQ012FZ01ZPH</p> <p>1: VIN 2: VC 3: VO 4: NC 5: GND</p>	<p>SN74AHC1G08DCKR</p>	<p>NJM4580E (TE2)</p>	<p>MM74HCU04SJX SN74AHCT080PWR</p>	<p>SN74LV245APWR</p>
<p>AK4628VQ</p>	<p>LC89057W-VF4D-E YAC523-VZ</p>	<p>S29AL004D70TFI020</p>	<p>W9816G6CH-7</p>	<p>M30626FHPFP</p>	<p>D60YA003BPYP225</p>	<p>STK433-330-E</p>			

**Transistors**

<p>2SC1815 Y KTA1266 Y-AT KTC3198 Y-AT 2N5401C-AT/P 2N5551C-AT/P</p>	<p>2SA1770 S, T</p>
<p>2SB1274 R, S</p>	<p>2SC2412K Q, R, S 2SD1938 F S, T DTA114EKA KPA104S-RTK/P KRC102S-RTK/P KRC104S-RTK/P</p>

**FET**

<p>2SK304 E</p>
-----------------

**Diodes**

<p>1SS355 KDS160-RTK/P MA8027 MA8051-M MA8056-M MA8068-M MA8082-M MA8270-H RB501V-40</p>	<p>1SS133, 176 2SS270A</p>	<p>KBP103G-01X0 RS403M-B-C-J80</p>	<p>TS6P03-08</p>
--	--------------------------------	--	------------------

The first digit of a component indicates the component type.

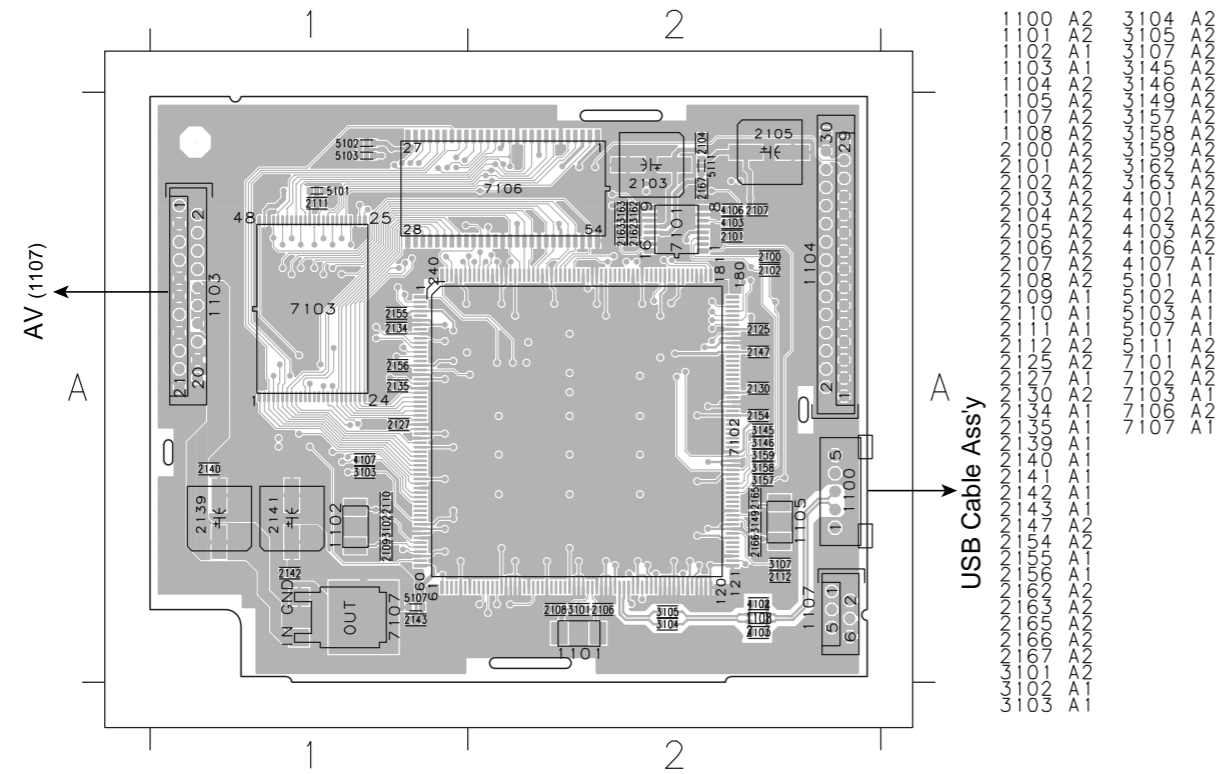
1xxx : Connector    3xxx : Resistor    5xxx : Coil    7xxx : IC, Transistor, FET  
 2xxx : Capacitor    4xxx : SMD jumper    6xxx : Diode    9xxx : Wire jumper

**PRINTED CIRCUIT BOARDS**

**FOR INFORMATION ONLY (NO REPLACEMENT PARTS WILL BE AVAILABLE)**

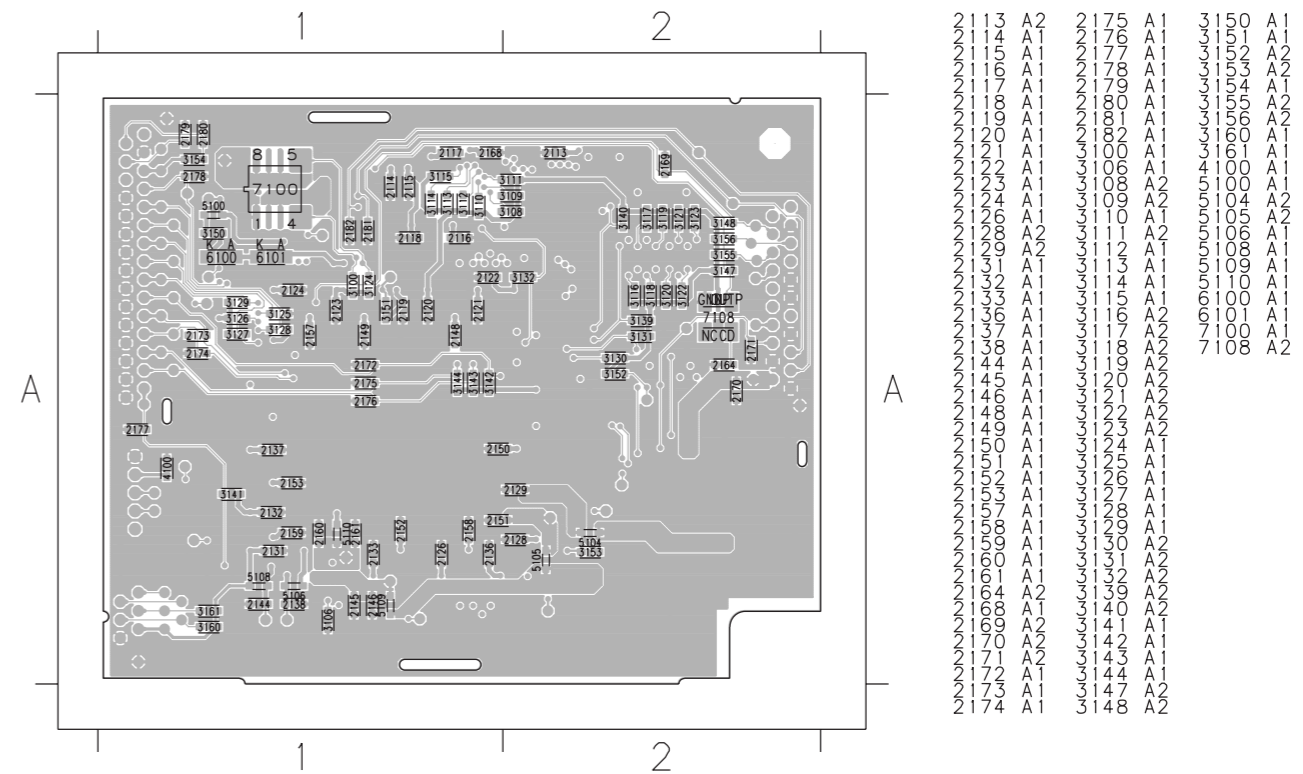
**DVR-1000**

**USB** (Top view)



- 1101 A2
- 1102 A1
- 1103 A2
- 1104 A2
- 1105 A2
- 1106 A2
- 1107 A2
- 1108 A2
- 1109 A2
- 1110 A2
- 1111 A2
- 1112 A2
- 1113 A2
- 1114 A2
- 1115 A2
- 1116 A2
- 1117 A2
- 1118 A2
- 1119 A2
- 1120 A2
- 1121 A2
- 1122 A2
- 1123 A2
- 1124 A2
- 1125 A2
- 1126 A2
- 1127 A2
- 1128 A2
- 1129 A2
- 1130 A2
- 1131 A2
- 1132 A2
- 1133 A2
- 1134 A2
- 1135 A2
- 1136 A2
- 1137 A2
- 1138 A2
- 1139 A2
- 1140 A2
- 1141 A2
- 1142 A2
- 1143 A2
- 1144 A2
- 1145 A2
- 1146 A2
- 1147 A2
- 1148 A2
- 1149 A2
- 1150 A2
- 1151 A2
- 1152 A2
- 1153 A2
- 1154 A2
- 1155 A2
- 1156 A2
- 1157 A2
- 1158 A2
- 1159 A2
- 1160 A2
- 1161 A2
- 1162 A2
- 1163 A2
- 1164 A2
- 1165 A2
- 1166 A2
- 1167 A2
- 1168 A2
- 1169 A2
- 1170 A2
- 1171 A2
- 1172 A2
- 1173 A2
- 1174 A2
- 1175 A2
- 1176 A2
- 1177 A2
- 1178 A2
- 1179 A2
- 1180 A2
- 1181 A2
- 1182 A2
- 1183 A2
- 1184 A2
- 1185 A2
- 1186 A2
- 1187 A2
- 1188 A2
- 1189 A2
- 1190 A2
- 1191 A2
- 1192 A2
- 1193 A2
- 1194 A2
- 1195 A2
- 1196 A2
- 1197 A2
- 1198 A2
- 1199 A2
- 1200 A2

**USB** (Bottom view)

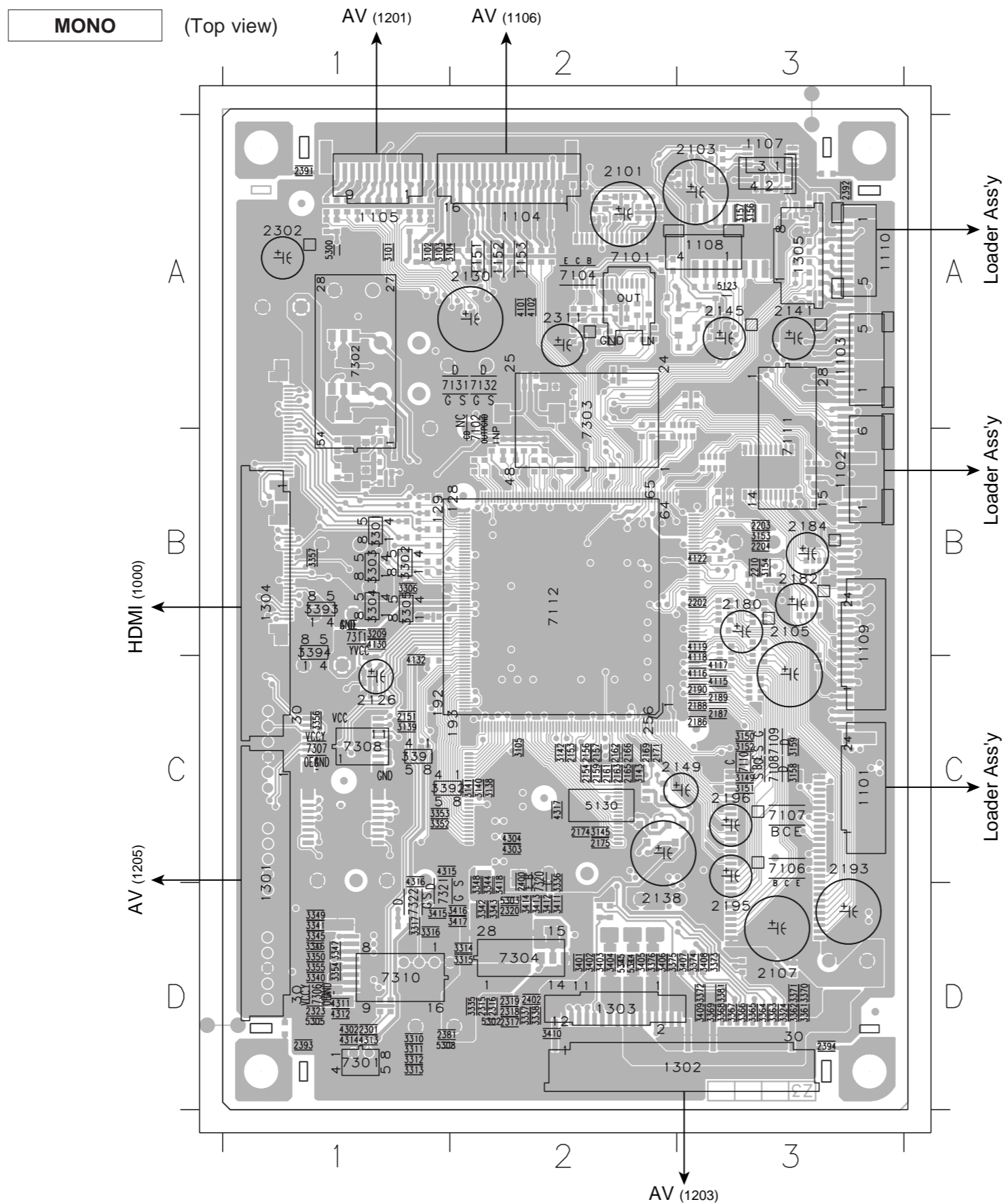


- 7101 A1
- 7102 A1
- 7103 A1
- 7104 A1
- 7105 A1
- 7106 A1
- 7107 A1
- 7108 A1
- 7109 A1
- 7110 A1
- 7111 A1
- 7112 A1
- 7113 A1
- 7114 A1
- 7115 A1
- 7116 A1
- 7117 A1
- 7118 A1
- 7119 A1
- 7120 A1
- 7121 A1
- 7122 A1
- 7123 A1
- 7124 A1
- 7125 A1
- 7126 A1
- 7127 A1
- 7128 A1
- 7129 A1
- 7130 A1
- 7131 A1
- 7132 A1
- 7133 A1
- 7134 A1
- 7135 A1
- 7136 A1
- 7137 A1
- 7138 A1
- 7139 A1
- 7140 A1
- 7141 A1
- 7142 A1
- 7143 A1
- 7144 A1
- 7145 A1
- 7146 A1
- 7147 A1
- 7148 A1
- 7149 A1
- 7150 A1
- 7151 A1
- 7152 A1
- 7153 A1
- 7154 A1
- 7155 A1
- 7156 A1
- 7157 A1
- 7158 A1
- 7159 A1
- 7160 A1
- 7161 A1
- 7162 A1
- 7163 A1
- 7164 A1
- 7165 A1
- 7166 A1
- 7167 A1
- 7168 A1
- 7169 A1
- 7170 A1
- 7171 A1
- 7172 A1
- 7173 A1
- 7174 A1
- 7175 A1
- 7176 A1
- 7177 A1
- 7178 A1
- 7179 A1
- 7180 A1
- 7181 A1
- 7182 A1
- 7183 A1
- 7184 A1
- 7185 A1
- 7186 A1
- 7187 A1
- 7188 A1
- 7189 A1
- 7190 A1
- 7191 A1
- 7192 A1
- 7193 A1
- 7194 A1
- 7195 A1
- 7196 A1
- 7197 A1
- 7198 A1
- 7199 A1
- 7200 A1

**DVR-1000**

The first digit of a component indicates the component type.

1xxx : Connector    3xxx : Resistor    5xxx : Coil    7xxx : IC, Transistor, FET  
 2xxx : Capacitor    4xxx : SMD jumper    6xxx : Diode    9xxx : Wire jumper



1101	C3	2381	D1	3362	D3	7101	A2
1102	B3	2391	A1	3363	D3	7102	A2
1103	A3	2392	A3	3364	D3	7104	A2
1104	A2	2393	D1	3365	D3	7106	C3
1105	A1	2394	D3	3366	D3	7107	C3
1107	A3	2400	C2	3367	D3	7108	C3
1108	A3	2402	D2	3368	D3	7109	C3
1109	B3	3101	A1	3369	D3	7110	C3
1110	A3	3102	A1	3370	D3	7111	B3
1151	A2	3103	A1	3371	D3	7112	B2
1152	A2	3104	A1	3372	D3	7131	A2
1153	A2	3105	C2	3373	D3	7132	A2
1301	D1	3138	C2	3374	D3	7301	D1
1302	D3	3139	C1	3375	D2	7302	A1
1303	D2	3140	C2	3376	D2	7303	A2
1304	B1	3141	C2	3381	D3	7304	D2
1305	A3	3142	C2	3391	C1	7306	D1
2101	A2	3143	C2	3392	C1	7307	C1
2103	A3	3145	C2	3393	B1	7308	C1
2105	B3	3149	C3	3394	B1	7310	D1
2107	D3	3150	C3	3401	D2	7311	B1
2126	C1	3151	C3	3402	D2	7320	C2
2130	A2	3152	C3	3403	D2	7321	D1
2138	D2	3153	B3	3404	D2	7322	D1
2141	A3	3154	B3	3405	D2		
2145	A3	3156	A3	3406	D2		
2149	C3	3157	A3	3407	D3		
2151	C1	3158	C3	3408	D3		
2153	C2	3159	C3	3409	D3		
2154	C2	3209	B1	3410	D2		
2156	C2	3301	B1	3411	D2		
2157	C2	3302	B1	3412	D2		
2159	C2	3303	B1	3413	D2		
2161	C2	3304	B1	3414	D2		
2162	C2	3305	B1	3415	D1		
2163	C2	3306	B1	3416	D2		
2165	C2	3310	D1	3417	D2		
2166	C2	3311	D1	3418	D2		
2169	C2	3312	D1	4101	A2		
2171	C2	3313	D1	4102	A2		
2174	C2	3314	D2	4115	C3		
2175	C2	3315	D2	4116	C3		
2180	B3	3316	D1	4117	C3		
2182	B3	3317	D1	4118	C3		
2184	B3	3324	D3	4119	B3		
2186	C3	3335	D2	4122	B3		
2187	C3	3336	D2	4130	B1		
2188	C3	3337	D2	4132	C1		
2189	C3	3338	D2	4302	D1		
2190	C3	3340	D1	4303	C2		
2193	C3	3341	D1	4304	C2		
2195	D3	3342	D2	4311	D1		
2196	C3	3343	D2	4312	D1		
2202	B3	3344	D2	4313	D1		
2203	B3	3345	D1	4314	D1		
2204	B3	3346	D1	4315	C1		
2210	B3	3347	D1	4316	C1		
2301	D1	3348	D2	4317	C2		
2302	A1	3349	D1	5123	A3		
2311	A2	3350	D1	5130	C2		
2315	D2	3352	C1	5300	A1		
2316	D2	3353	C1	5302	D2		
2317	D2	3354	D1	5303	D2		
2318	D2	3355	D1	5305	D1		
2319	D2	3356	C1	5308	D1		
2320	D2	3357	B1	5344	D2		
2323	D1	3361	D3	5345	D2		

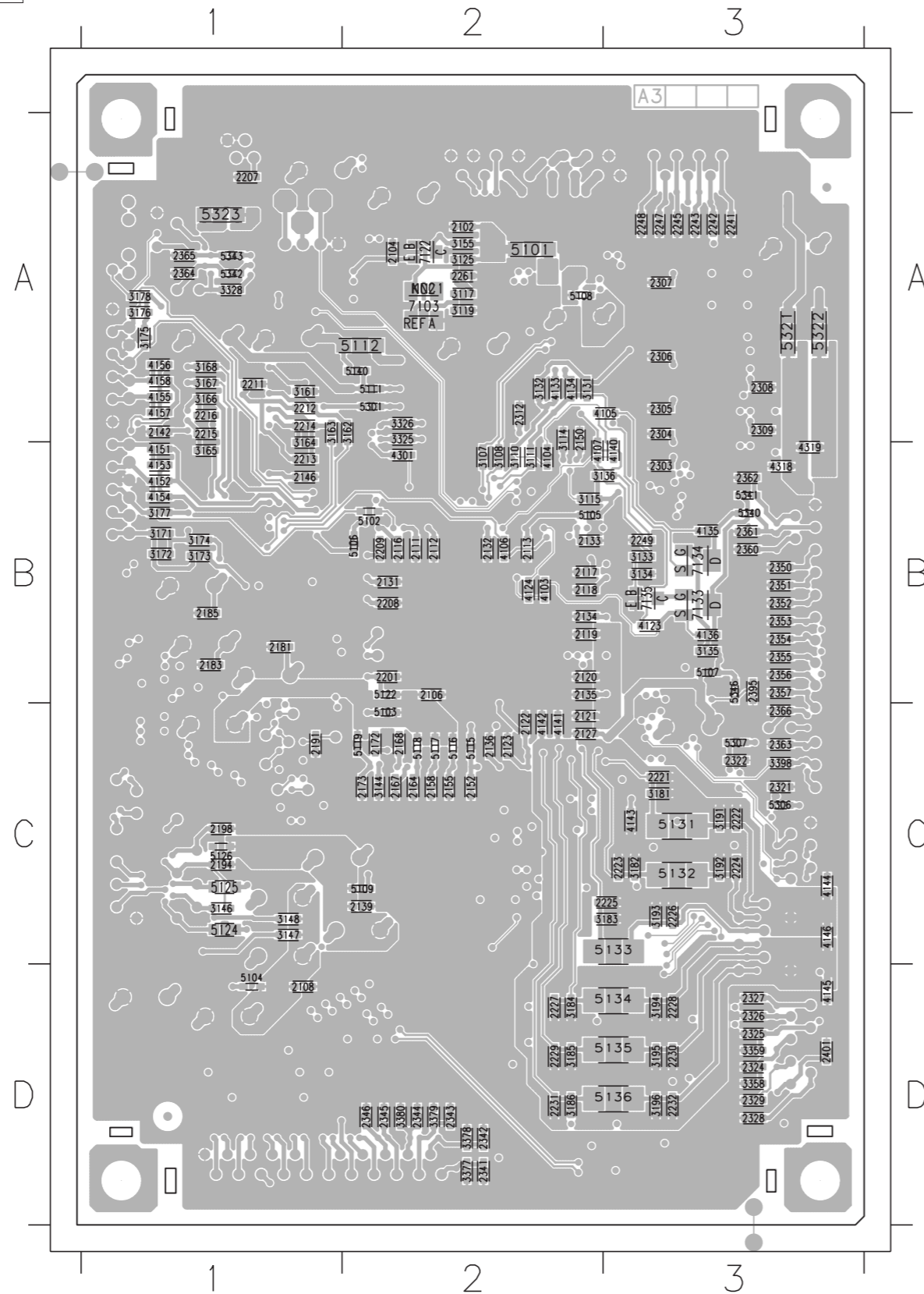
The first digit of a component indicates the component type.

- 1xxx : Connector      3xxx : Resistor      5xxx : Coil      7xxx : IC, Transistor, FET
- 2xxx : Capacitor    4xxx : SMD jumper    6xxx : Diode    9xxx : Wire jumper

**DVR-1000**

**MONO**

(Bottom view)



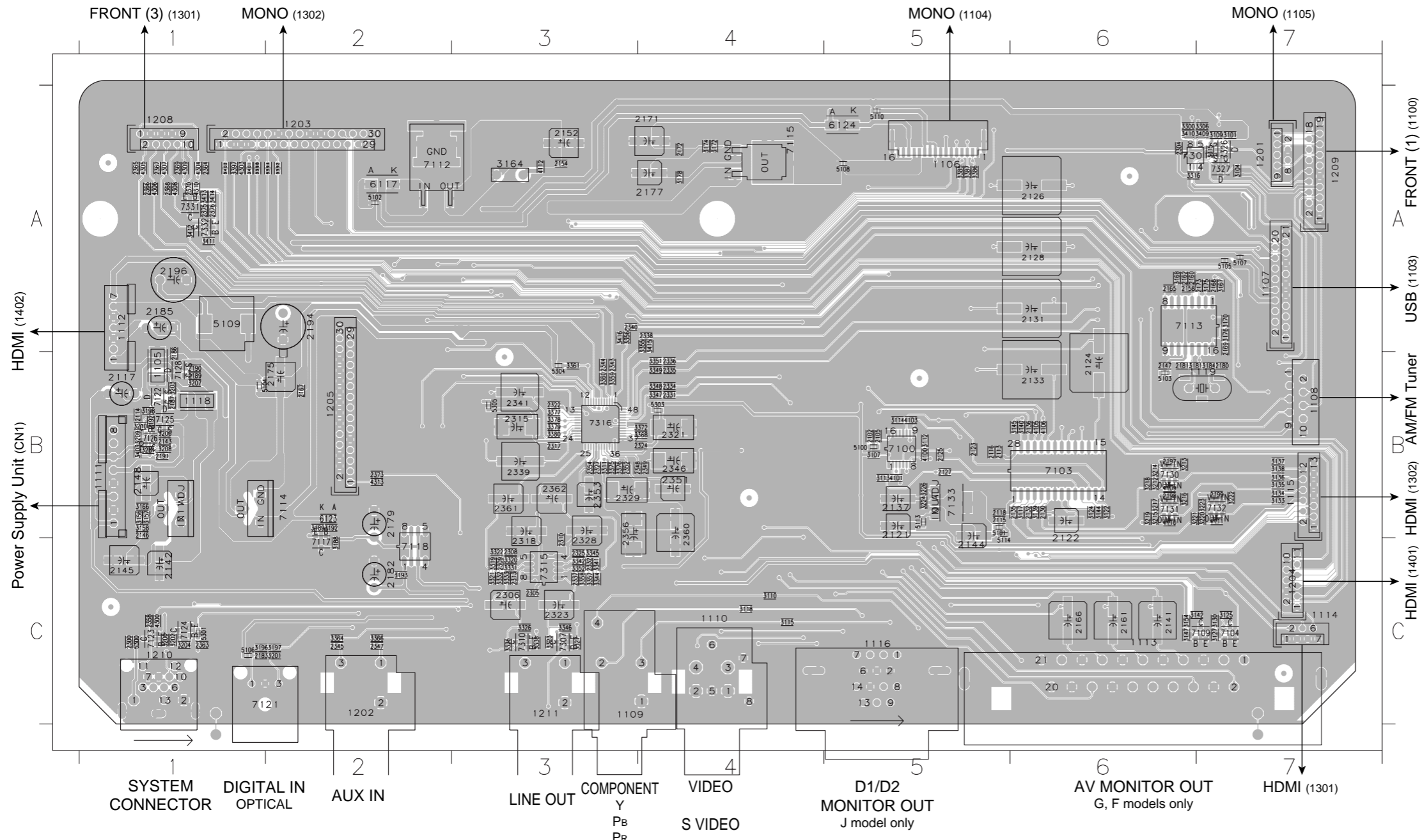
2102	A2	2248	A3	3166	A1	5106	B2
2104	A2	2249	B3	3167	A1	5107	B3
2106	B2	2261	A2	3168	A1	5108	A2
2108	D1	2303	B3	3171	B1	5109	C2
2111	B2	2304	A3	3172	B1	5111	A2
2112	B2	2305	A3	3173	B1	5112	A2
2113	B2	2306	A3	3174	B1	5115	C2
2116	B2	2307	A3	3175	A1	5116	C2
2117	B2	2308	A3	3176	A1	5117	C2
2118	B2	2309	A3	3177	B1	5118	C2
2119	B2	2312	A2	3178	A1	5119	C2
2120	B2	2321	C3	3181	C3	5122	B2
2121	C2	2322	C3	3182	C3	5124	C1
2122	C2	2324	D3	3183	C3	5125	C1
2123	C2	2325	D3	3184	D2	5126	C1
2127	C2	2326	D3	3185	D2	5131	C3
2131	B2	2327	D3	3186	D2	5132	C3
2132	B2	2328	D3	3191	C3	5133	C3
2133	B2	2329	D3	3192	C3	5134	D3
2134	B2	2341	D2	3193	C3	5135	D3
2135	B2	2342	D2	3194	D3	5136	D3
2136	C2	2343	D2	3195	D3	5140	A2
2139	C2	2344	D2	3196	D3	5301	A2
2142	A1	2345	D2	3325	A2	5306	C3
2146	B1	2346	D2	3326	A2	5307	C3
2150	A2	2350	B3	3328	A1	5321	A3
2152	C2	2351	B3	3358	D3	5322	A3
2155	C2	2352	B3	3359	D3	5323	A1
2158	C2	2353	B3	3377	D2	5340	B3
2164	C2	2354	B3	3378	D2	5341	B3
2167	C2	2355	B3	3379	D2	5342	A1
2168	C2	2356	B3	3380	D2	5343	A1
2172	C2	2357	B3	3398	C3	5346	B3
2173	C2	2360	B3	4103	B2	7103	A2
2181	B1	2361	B3	4104	B2	7122	A2
2183	B1	2362	B3	4105	A3	7133	B3
2185	B1	2363	C3	4106	B2	7134	B3
2191	C1	2364	A1	4107	B2	7135	B3
2194	C1	2365	A1	4123	B3		
2198	C1	2366	C3	4124	B2		
2201	B2	2395	B3	4133	A2		
2207	A1	2401	D3	4134	A2		
2208	B2	3107	B2	4135	B3		
2209	B2	3108	B2	4136	B3		
2211	A1	3110	B2	4140	B3		
2212	A1	3111	B2	4141	C2		
2213	B1	3114	A2	4142	C2		
2214	A1	3115	B2	4143	C3		
2215	A1	3117	A2	4144	C3		
2216	A1	3119	A2	4145	D3		
2221	C3	3125	A2	4146	C3		
2222	C3	3131	A2	4151	B1		
2223	C3	3132	A2	4152	B1		
2224	C3	3133	B3	4153	B1		
2225	C3	3134	B3	4154	B1		
2226	C3	3135	B3	4155	A1		
2227	D2	3136	B3	4156	A1		
2228	D3	3144	C2	4157	A1		
2229	D2	3146	C1	4158	A1		
2230	D3	3147	C1	4301	B2		
2231	D2	3148	C1	4318	B3		
2232	D3	3155	A2	4319	B3		
2241	A3	3161	A1	5101	A2		
2242	A3	3162	A2	5102	B2		
2243	A3	3163	A1	5103	C2		
2245	A3	3164	B1	5104	D1		
2247	A3	3165	B1	5105	B2		

DVR-1000

AV (Top view)

The first digit of a component indicates the component type.

1xxx : Connector 3xxx : Resistor 5xxx : Coil 7xxx : IC, Transistor, FET  
 2xxx : Capacitor 4xxx : SMD jumper 6xxx : Diode 9xxx : Wire jumper



1100	A1
1101	A1
1102	A1
1103	A1
1104	A1
1105	A1
1106	A1
1107	A1
1108	A1
1109	A1
1110	A1
1111	A1
1112	A1
1113	A1
1114	A1
1115	A1
1116	A1
1117	A1
1118	A1
1119	A1
1120	A1
1121	A1
1122	A1
1123	A1
1124	A1
1125	A1
1126	A1
1127	A1
1128	A1
1129	A1
1130	A1
1131	A1
1132	A1
1133	A1
1134	A1
1135	A1
1136	A1
1137	A1
1138	A1
1139	A1
1140	A1
1141	A1
1142	A1
1143	A1
1144	A1
1145	A1
1146	A1
1147	A1
1148	A1
1149	A1
1150	A1
1151	A1
1152	A1
1153	A1
1154	A1
1155	A1
1156	A1
1157	A1
1158	A1
1159	A1
1160	A1
1161	A1
1162	A1
1163	A1
1164	A1
1165	A1
1166	A1
1167	A1
1168	A1
1169	A1
1170	A1
1171	A1
1172	A1
1173	A1
1174	A1
1175	A1
1176	A1
1177	A1
1178	A1
1179	A1
1180	A1
1181	A1
1182	A1
1183	A1
1184	A1
1185	A1
1186	A1
1187	A1
1188	A1
1189	A1
1190	A1
1191	A1
1192	A1
1193	A1
1194	A1
1195	A1
1196	A1
1197	A1
1198	A1
1199	A1
1200	A1



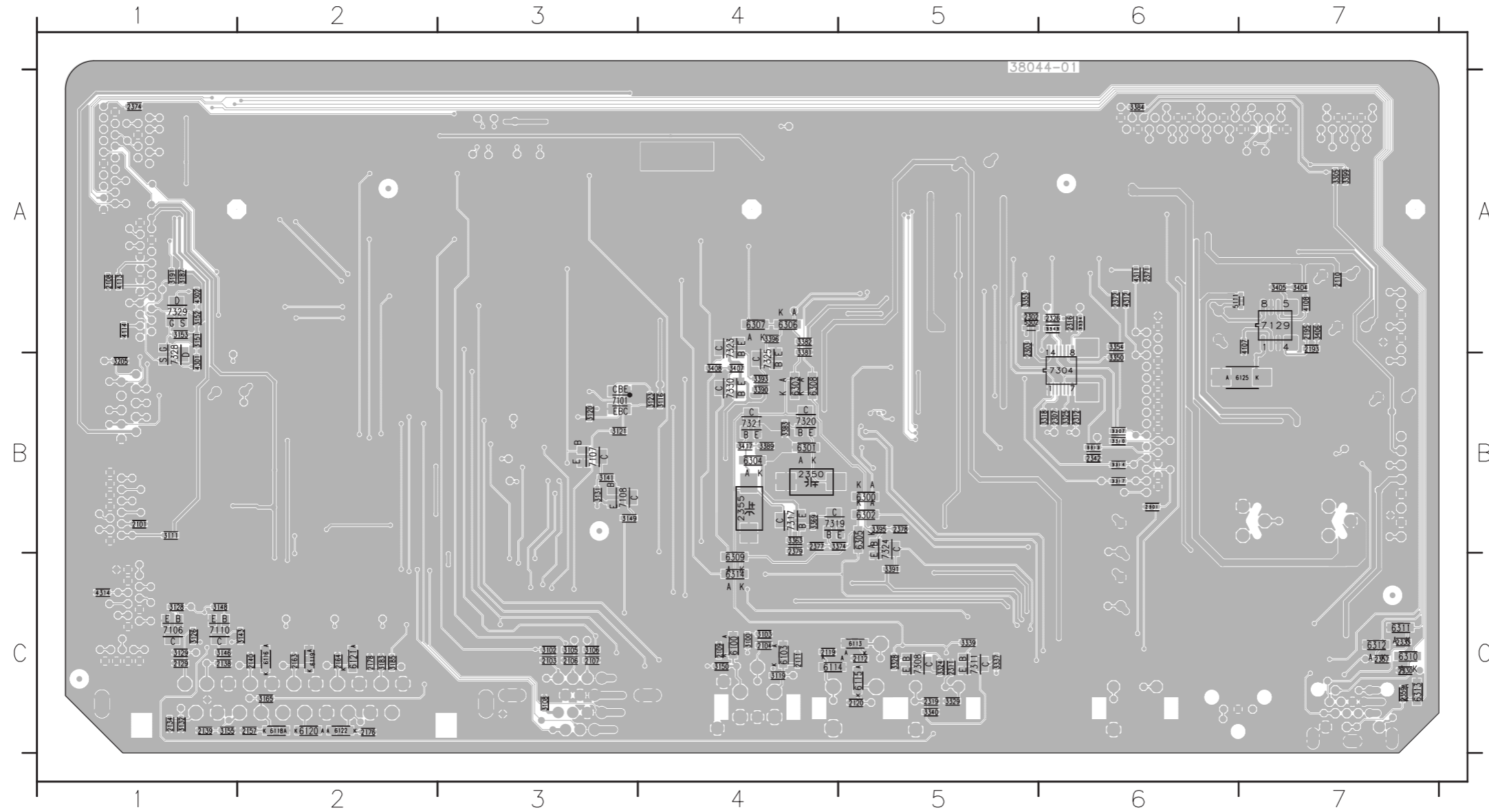
The first digit of a component indicates the component type.

1xxx : Connector    3xxx : Resistor    5xxx : Coil    7xxx : IC, Transistor, FET  
 2xxx : Capacitor    4xxx : SMD jumper    6xxx : Diode    9xxx : Wire jumper

**DVR-1000**

**AV**

(Bottom view)



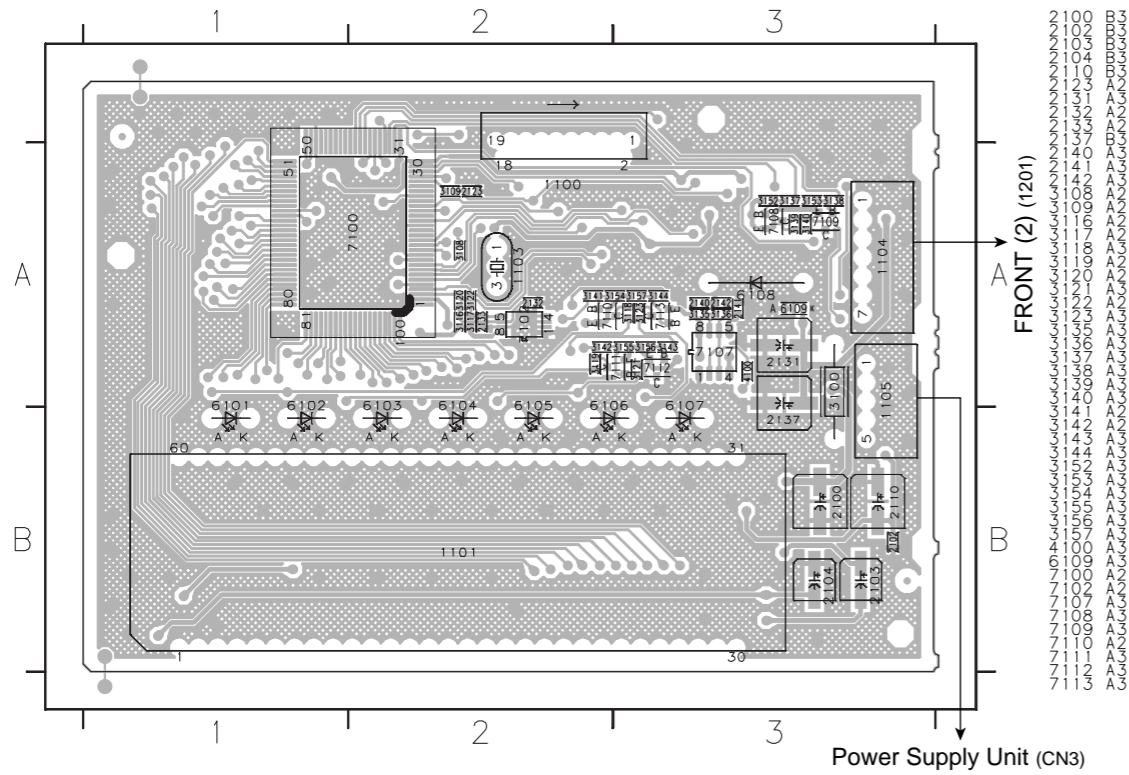
2101	B1
103	C3
104	C3
106	C3
107	C3
108	A1
110	A7
111	A7
112	A7
113	A7
114	A7
115	A7
116	A7
117	A7
118	A7
119	A7
120	A7
121	A7
122	A7
123	A7
124	A7
125	A7
126	A7
127	A7
128	A7
129	A7
130	A7
131	A7
132	A7
133	A7
134	A7
135	A7
136	A7
137	A7
138	A7
139	A7
140	A7
141	A7
142	A7
143	A7
144	A7
145	A7
146	A7
147	A7
148	A7
149	A7
150	A7
151	A7
152	A7
153	A7
154	A7
155	A7
156	A7
157	A7
158	A7
159	A7
160	A7
161	A7
162	A7
163	A7
164	A7
165	A7
166	A7
167	A7
168	A7
169	A7
170	A7
171	A7
172	A7
173	A7
174	A7
175	A7
176	A7
177	A7
178	A7
179	A7
180	A7
181	A7
182	A7
183	A7
184	A7
185	A7
186	A7
187	A7
188	A7
189	A7
190	A7
191	A7
192	A7
193	A7
194	A7
195	A7
196	A7
197	A7
198	A7
199	A7
200	A7
201	A7
202	A7
203	A7
204	A7
205	A7
206	A7
207	A7
208	A7
209	A7
210	A7
211	A7
212	A7
213	A7
214	A7
215	A7
216	A7
217	A7
218	A7
219	A7
220	A7
221	A7
222	A7
223	A7
224	A7
225	A7
226	A7
227	A7
228	A7
229	A7
230	A7
231	A7
232	A7
233	A7
234	A7
235	A7
236	A7
237	A7
238	A7
239	A7
240	A7
241	A7
242	A7
243	A7
244	A7
245	A7
246	A7
247	A7
248	A7
249	A7
250	A7
251	A7
252	A7
253	A7
254	A7
255	A7
256	A7
257	A7
258	A7
259	A7
260	A7
261	A7
262	A7
263	A7
264	A7
265	A7
266	A7
267	A7
268	A7
269	A7
270	A7
271	A7
272	A7
273	A7
274	A7
275	A7
276	A7
277	A7
278	A7
279	A7
280	A7
281	A7
282	A7
283	A7
284	A7
285	A7
286	A7
287	A7
288	A7
289	A7
290	A7
291	A7
292	A7
293	A7
294	A7
295	A7
296	A7
297	A7
298	A7
299	A7
300	A7
301	A7
302	A7
303	A7
304	A7
305	A7
306	A7
307	A7
308	A7
309	A7
310	A7
311	A7
312	A7
313	A7
314	A7
315	A7
316	A7
317	A7
318	A7
319	A7
320	A7
321	A7
322	A7
323	A7
324	A7
325	A7
326	A7
327	A7
328	A7
329	A7
330	A7
331	A7
332	A7
333	A7
334	A7
335	A7
336	A7
337	A7
338	A7
339	A7
340	A7
341	A7
342	A7
343	A7
344	A7
345	A7
346	A7
347	A7
348	A7
349	A7
350	A7
351	A7
352	A7
353	A7
354	A7
355	A7
356	A7
357	A7
358	A7
359	A7
360	A7
361	A7
362	A7
363	A7
364	A7
365	A7
366	A7
367	A7
368	A7
369	A7
370	A7
371	A7
372	A7
373	A7
374	A7
375	A7
376	A7
377	A7
378	A7
379	A7
380	A7
381	A7
382	A7
383	A7
384	A7
385	A7
386	A7
387	A7
388	A7
389	A7
390	A7
391	A7
392	A7
393	A7
394	A7
395	A7
396	A7
397	A7
398	A7
399	A7
400	A7
401	A7
402	A7
403	A7
404	A7
405	A7
406	A7
407	A7
408	A7
409	A7
410	A7
411	A7
412	A7
413	A7
414	A7
415	A7
416	A7
417	A7
418	A7
419	A7
420	A7
421	A7
422	A7
423	A7
424	A7
425	A7
426	A7
427	A7
428	A7
429	A7
430	A7
431	A7
432	A7
433	A7
434	A7
435	A7
436	A7
437	A7
438	A7
439	A7
440	A7
441	A7
442	A7
443	A7
444	A7
445	A7
446	A7
447	A7
448	A7
449	A7
450	A7
451	A7
452	A7
453	A7
454	A7
455	A7
456	A7
457	A7
458	A7
459	A7
460	A7
461	A7
462	A7
463	A7
464	A7
465	A7
466	A7
467	A7
468	A7
469	A7
470	A7
471	A7
472	A7
473	A7
474	A7
475	A7
476	A7
477	A7
478	A7
479	A7
480	A7
481	A7
482	A7
483	A7
484	A7
485	A7
486	A7
487	A7
488	A7
489	A7
490	A7
491	A7
492	A7
493	A7
494	A7
495	A7
496	A7
497	A7
498	A7
499	A7
500	A7
501	A7
502	A7
503	A7
504	A7
505	A7
506	A7
507	A7
508	A7
509	A7
510	A7
511	A7
512	A7
513	A7
514	A7
515	A7
516	A7
517	A7
518	A7
519	A7
520	A7
521	A7
522	A7
523	A7
524	A7
525	A7
526	A7
527	A7
528	A7
529	A7
530	A7
531	A7
532	A7
533	A7
534	A7
535	A7
536	A7
537	A7
538	A7
539	A7
540	A7
541	A7
542	A7
543	A7
544	A7
545	A7
546	A7
547	A7
548	A7
549	A7
550	A7
551	A7
552	A7
553	A7
554	A7
555	A7
556	A7
557	A7
558	A7
559	A7
560	A7
561	A7
562	A7
563	A7
564	A7
565	A7
566	A7
567	A7
568	A7
569	A7
570	A7
571	A7
572	A7
573	A7
574	A7
575	A7
576	A7
577	A7
578	A7
579	A7
580	A7
581	A7
582	A7
583	A7
584	A7
585	A7
586	A7
587	A7
588	A7
589	A7
590	A7
591	A7
592	A7
593	A7
594	A7
595	A7
596	A7
597	A7
598	A7
599	A7
600	A7
601	A7
602	A7
603	A7
604	A7
605	A7
606	A7
607	A7
608	A7
609	A7
610	A7
611	A7
612	A7
613	A7
614	A7
615	A7
616	A7
617	A7
618	A7
619	A7
620	A7
621	A7
622	A7
623	A7
624	A7
625	A7
626	A7
627	A7
628	A7
629	A7
630	A7
631	A7
632	A7
633	A7
634	A7
635	A7
636	A7
637	A7
638	A7
639	A7
640	A7
641	A7
642	A7
643	A7
644	A7
645	A7
646	A7
647	A7
648	A7
649	A7
650	A7
651	A7
652	A7
653	A7
654	A7
655	A7
656	A7
657	A7
658	A7
659	A7
660	A7
661	A7
662	A7
663	A7
664	A7
665	A7
666	A7
667	A7
668	A7
669	A7
670	A7
671	A7
672	A7
673	A7
674	A7
675	A7
676	A7
677	A7
678	A7
679	A7
680	A7
681	A7
682	A7
683	A7
684	A7
685	A7
686	A7
687	A7
688	A7
689	A7
690	A7
691	A7
692	A7
693	A7
694	A7
695	A7
696	A7
697	A7
698	A7
699	A7
700	A7
701	A7
702	A7
703	A7
704	A7
705	A7
706	A7
707	A7
708	A7
709	A7
710	A7
711	A7
712	A7
713	A7
714	A7
715	A7
716	A7
717	A7
718	A7
719	A7
720	A7
721	A7
722	A7
723	A7
724	A7

**DVR-1000**

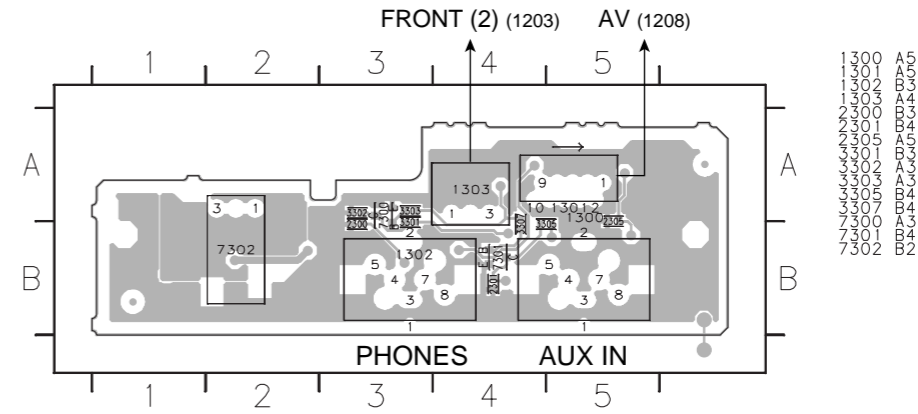
The first digit of a component indicates the component type.

1xxx : Connector    3xxx : Resistor    5xxx : Coil    7xxx : IC, Transistor, FET  
 2xxx : Capacitor    4xxx : SMD jumper    6xxx : Diode    9xxx : Wire jumper

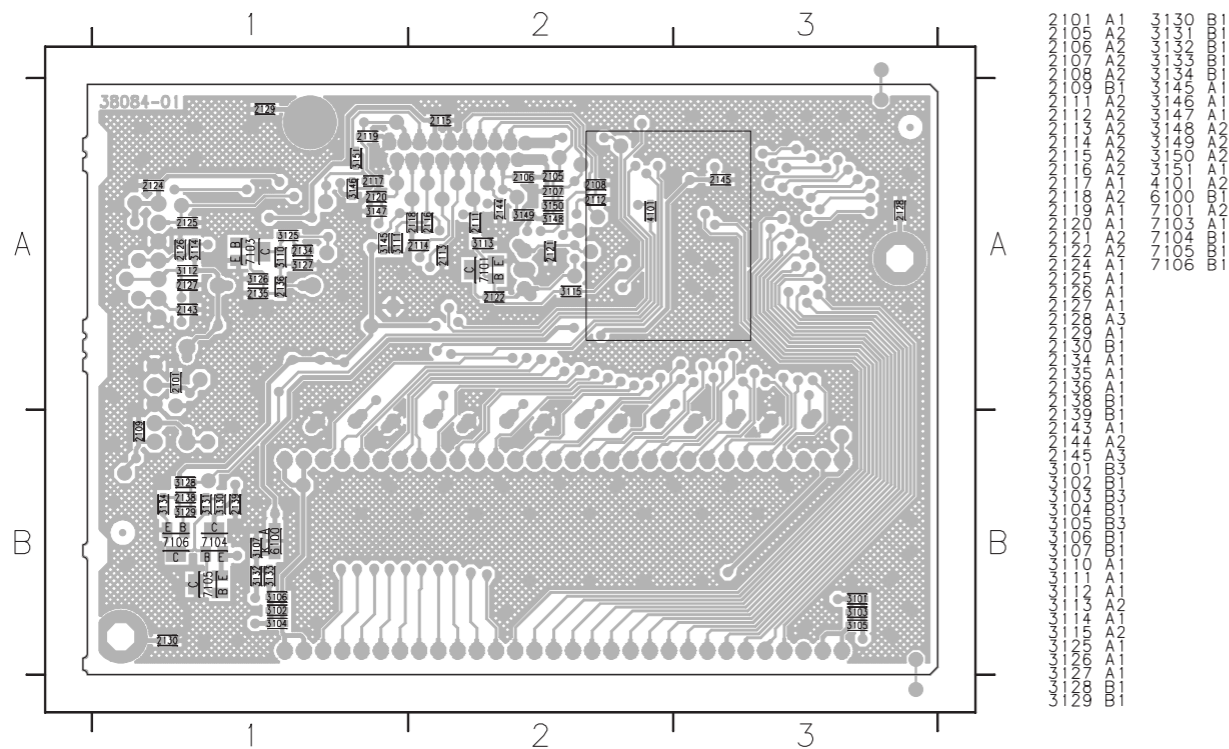
**FRONT (1)** (Top view)



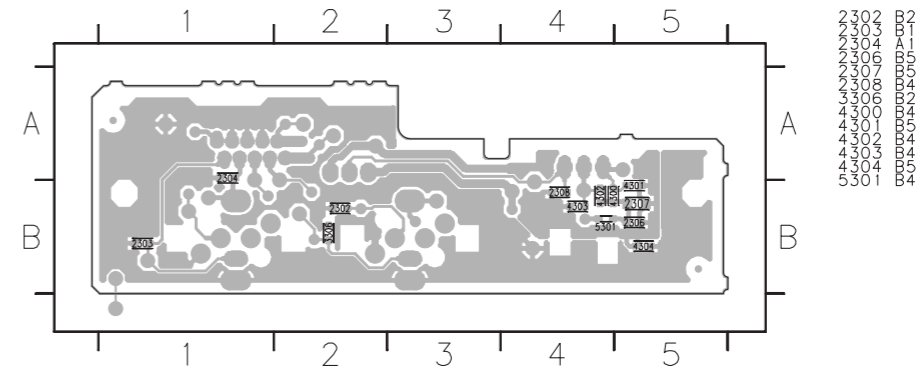
**FRONT (3)** (Top view)



**FRONT (1)** (Bottom view)



**FRONT (3)** (Bottom view)



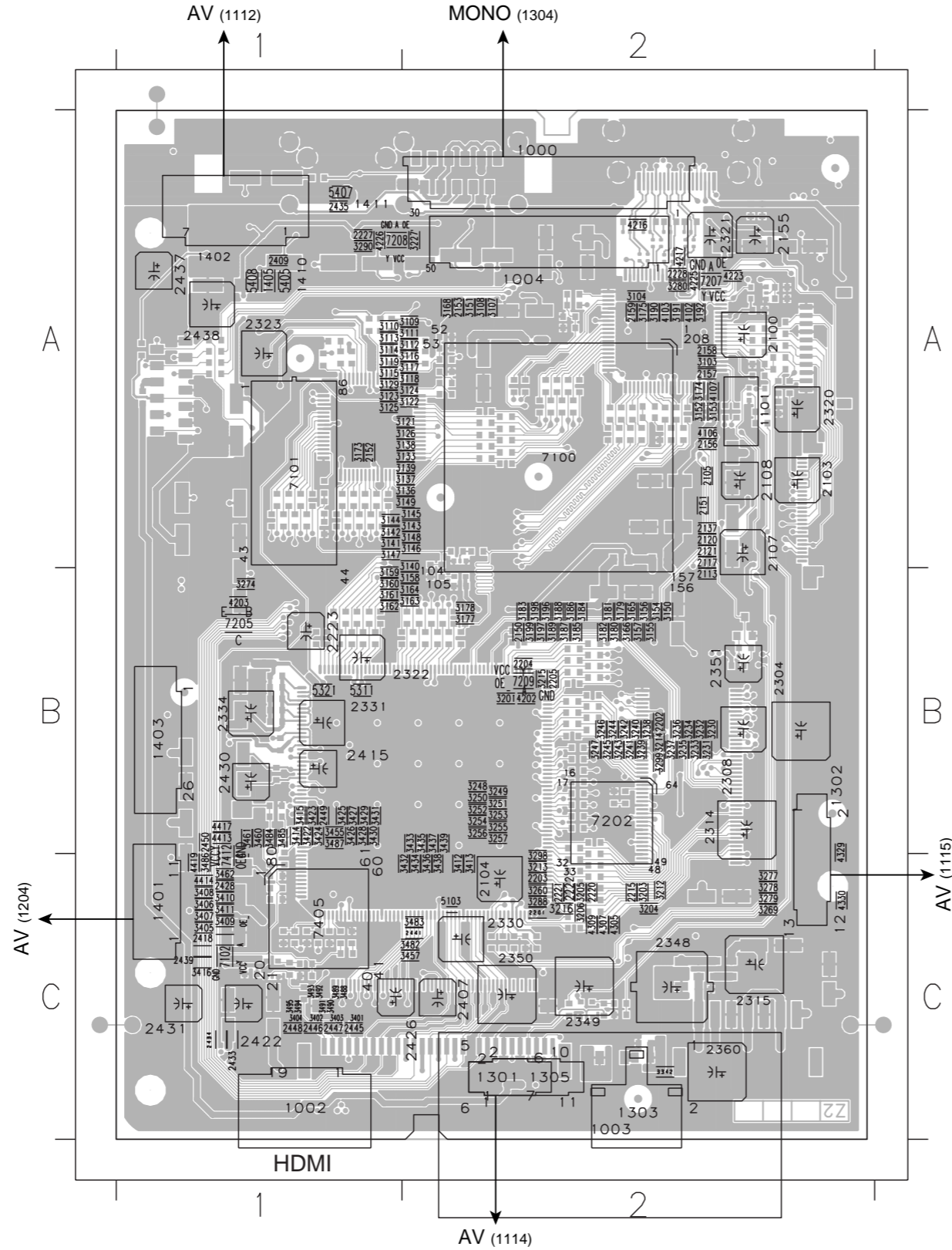


**DVR-1000**

The first digit of a component indicates the component type.

- 1xxx : Connector      3xxx : Resistor      5xxx : Coil      7xxx : IC, Transistor, FET
- 2xxx : Capacitor    4xxx : SMD jumper    6xxx : Diode    9xxx : Wire jumper

**HDMI** (Top view)



10000	A2
10000	C1
10000	C2
10000	C3
10000	C4
10000	C5
10000	C6
10000	C7
10000	C8
10000	C9
10000	C10
10000	C11
10000	C12
10000	C13
10000	C14
10000	C15
10000	C16
10000	C17
10000	C18
10000	C19
10000	C20
10000	C21
10000	C22
10000	C23
10000	C24
10000	C25
10000	C26
10000	C27
10000	C28
10000	C29
10000	C30
10000	C31
10000	C32
10000	C33
10000	C34
10000	C35
10000	C36
10000	C37
10000	C38
10000	C39
10000	C40
10000	C41
10000	C42
10000	C43
10000	C44
10000	C45
10000	C46
10000	C47
10000	C48
10000	C49
10000	C50
10000	C51
10000	C52
10000	C53
10000	C54
10000	C55
10000	C56
10000	C57
10000	C58
10000	C59
10000	C60
10000	C61
10000	C62
10000	C63
10000	C64
10000	C65
10000	C66
10000	C67
10000	C68
10000	C69
10000	C70
10000	C71
10000	C72
10000	C73
10000	C74
10000	C75
10000	C76
10000	C77
10000	C78
10000	C79
10000	C80
10000	C81
10000	C82
10000	C83
10000	C84
10000	C85
10000	C86
10000	C87
10000	C88
10000	C89
10000	C90
10000	C91
10000	C92
10000	C93
10000	C94
10000	C95
10000	C96
10000	C97
10000	C98
10000	C99
10000	C100

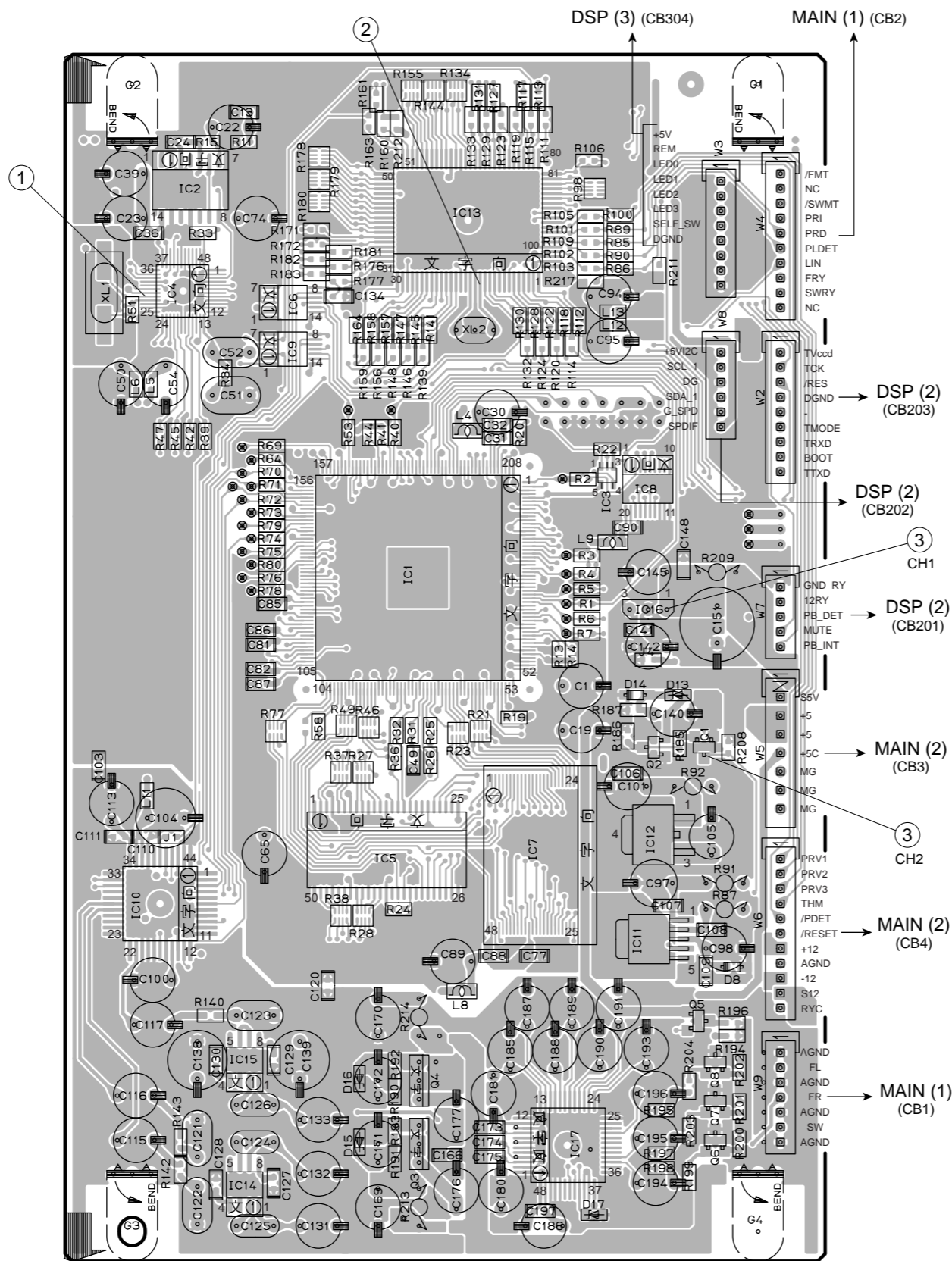


NX-SW1000

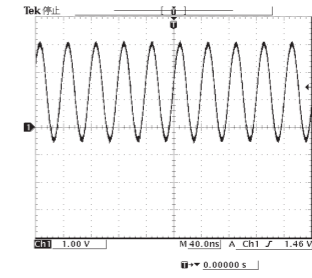
DSP (1) (Side A)

● Semiconductor Location

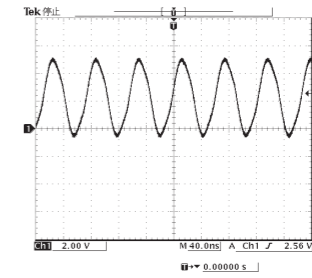
Ref. No.	Location
D8	E5
D13	D5
D14	D5
D15	E4
D16	E4
D17	F4
IC1	C4
IC2	B3
IC3	C4
IC4	B3
IC5	D4
IC6	B3
IC7	D4
IC8	C5
IC9	C3
IC10	E3
IC11	E5
IC12	D5
IC13	B4
IC14	F3
IC15	E3
IC16	D5
IC17	E4
Q1	D5
Q2	D5
Q3	E4
Q4	E4
Q5	E5
Q6	E5
Q7	E5
Q8	E5



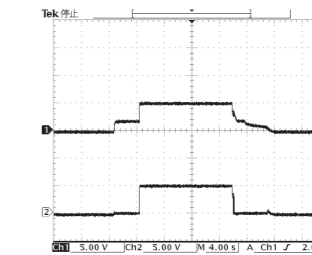
Point ① Pin 29 of IC4



Point ② Pin 13 of IC13



Point ③  
CH 1 : Out of IC16  
CH 2 : Collector of Q1



↑ SYSTEM POWER SW ON    ↑ SYSTEM POWER SW OFF

A

B

C

D

E

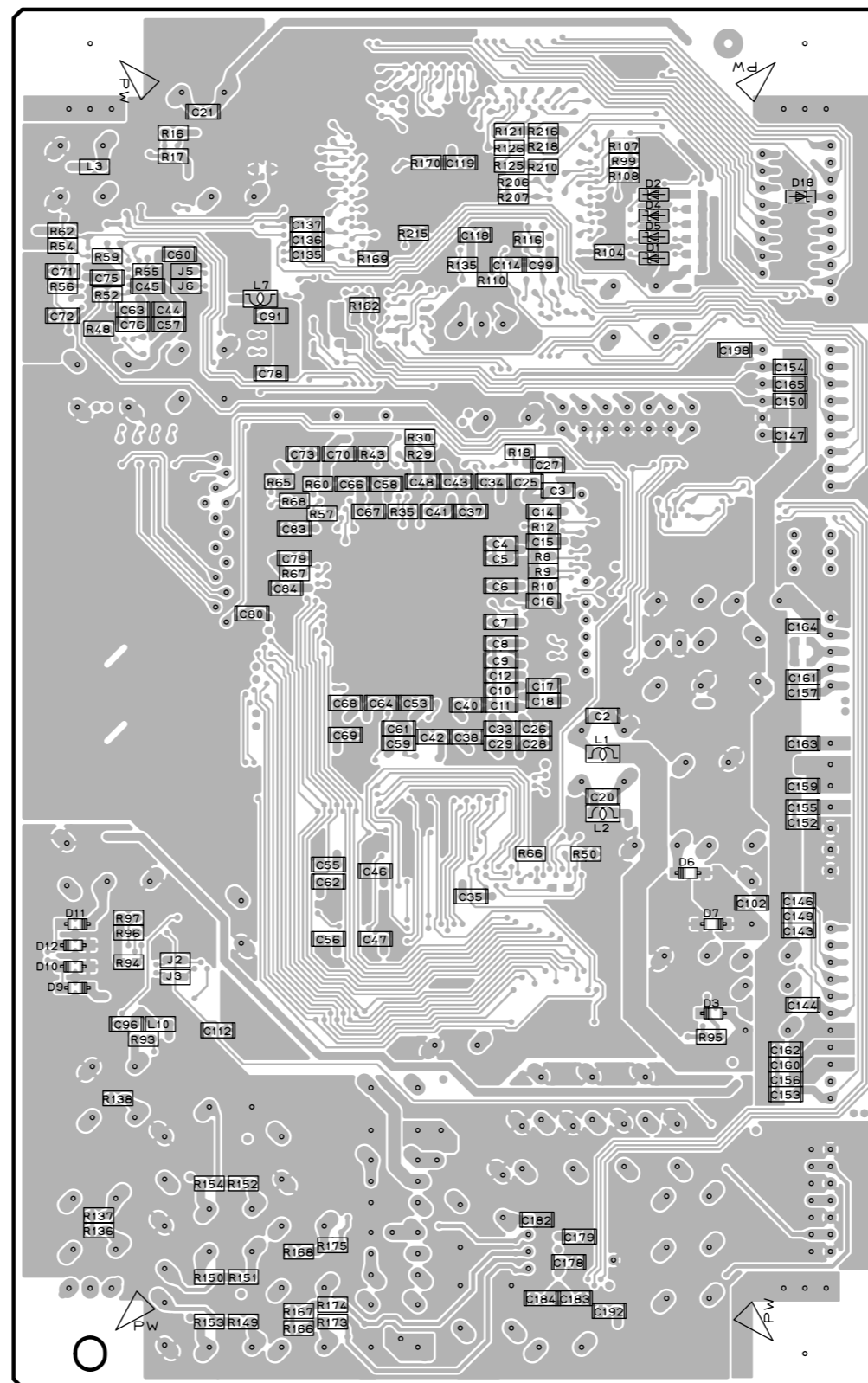
F

● Semiconductor Location

Ref. No.	Location
D1	B5
D2	B5
D3	E5
D4	B5
D5	B5
D6	D5
D7	D5
D9	E3
D10	D3
D11	D3
D12	D3
D18	B5

DSP (1)

(Side B)

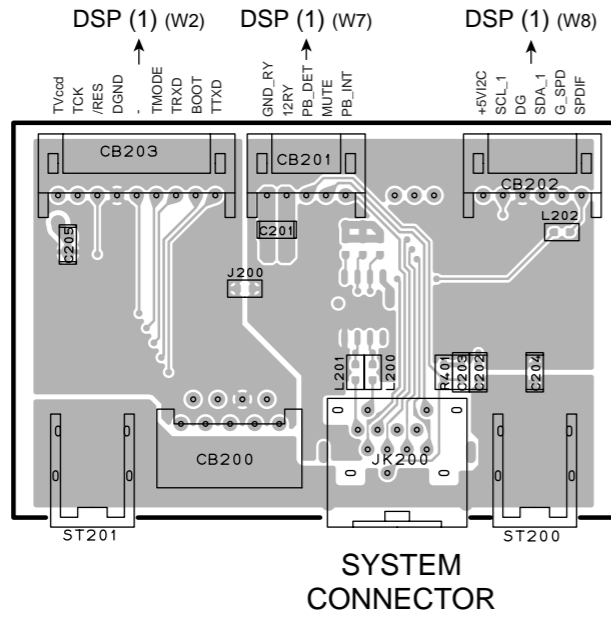


**NX-SW1000**

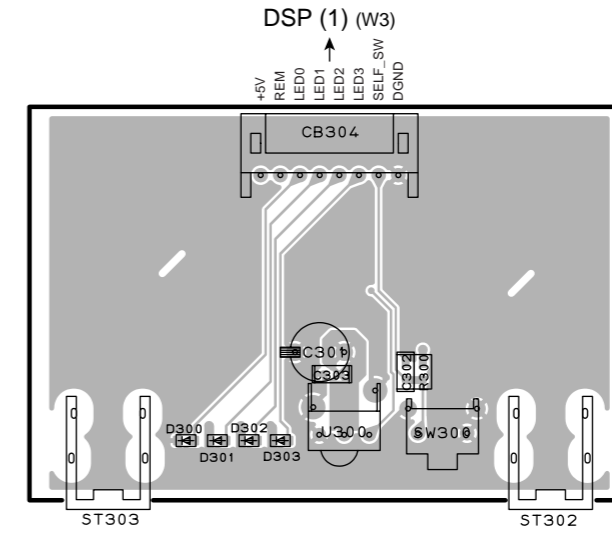
● Semiconductor Location

Ref. No.	Location
D301	B6
D302	B6
D303	B6
D304	B6

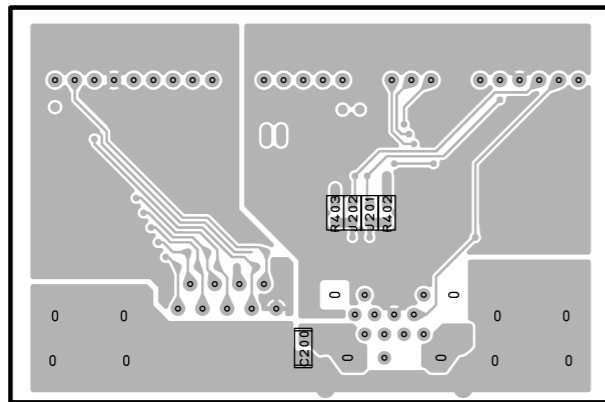
**DSP (2)** (Side A)



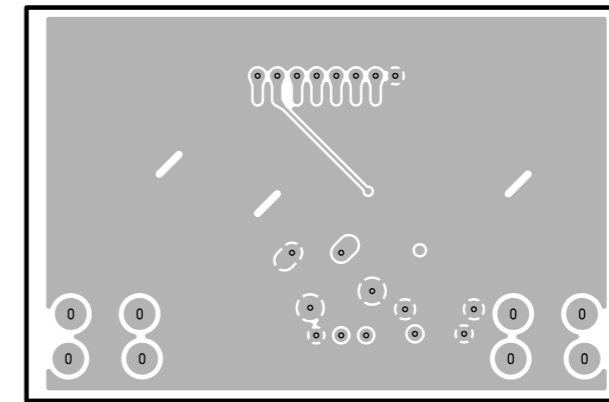
**DSP (3)** (Side A)



**DSP (2)** (Side B)



**DSP (3)** (Side B)





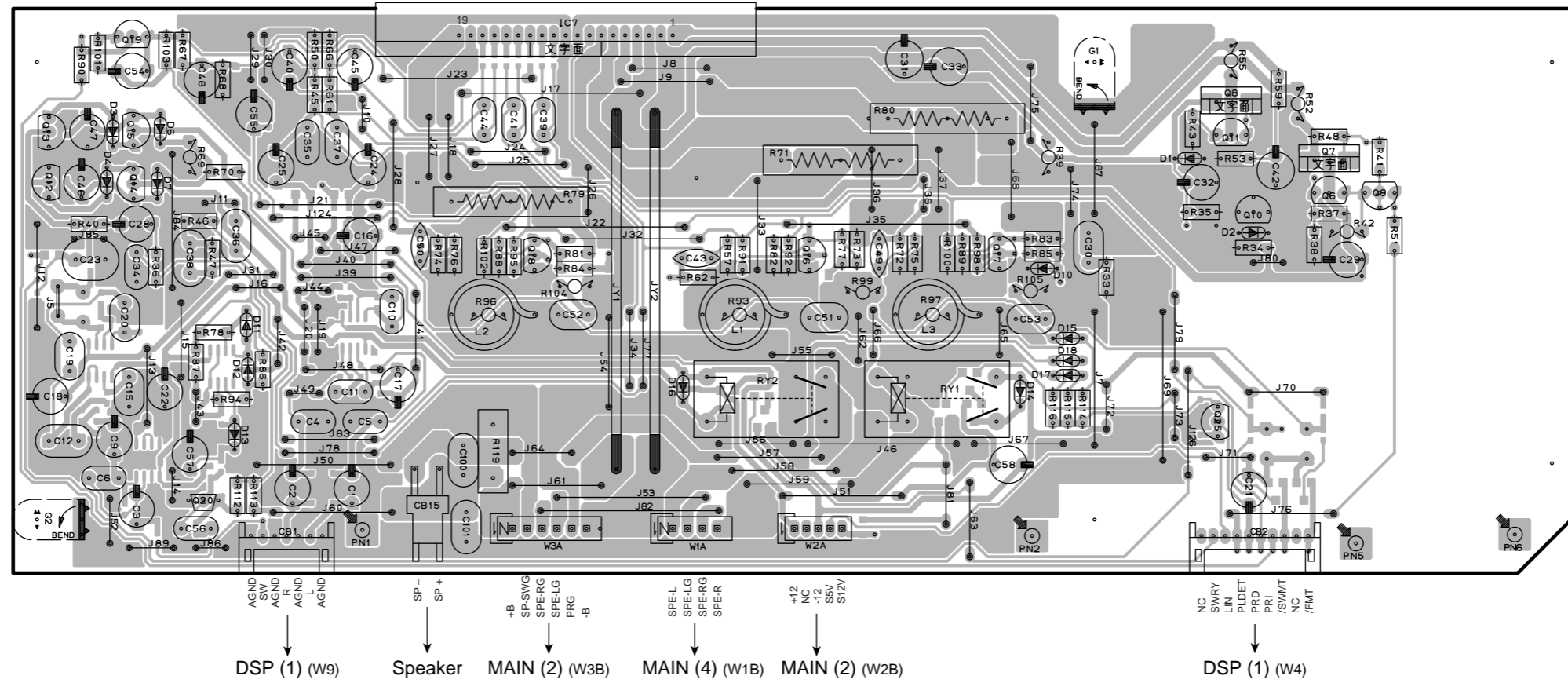
### NX-SW1000

A

#### ● Semiconductor Location

Ref. No.	Location
D1	B6
D2	B6
D3	B2
D4	B2
D5	D2
D6	B2
D7	B2
D8	E4
D9	E4
D10	B5
D11	B2
D12	B2
D13	C2
D14	C5
D15	B5
D16	C4
D17	C5
D18	B5
D28	F4
IC1	E2
IC2	E3
IC3	E2
IC4	E2
IC7	A3
Q6	B6
Q7	B6
Q8	B6
Q9	B6
Q10	B6
Q11	B6
Q12	B2
Q13	B2
Q14	B2
Q15	B2
Q16	B4
Q17	B5
Q18	B3
Q19	A2
Q20	C2
Q21	E5
Q22	E4
Q23	E5
Q24	E4
Q25	C6
Q30	E5
Q31	E4

#### MAIN (1) (Side A)



B

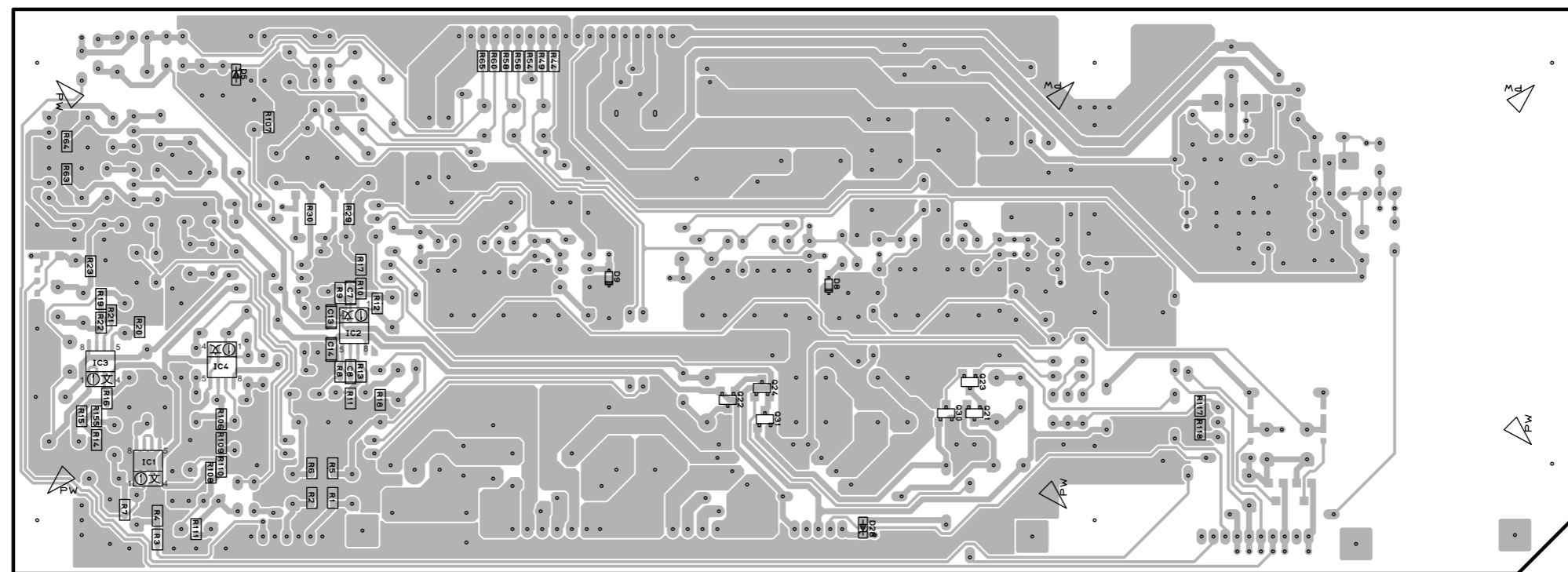
C

D

E

F

#### MAIN (1) (Side B)



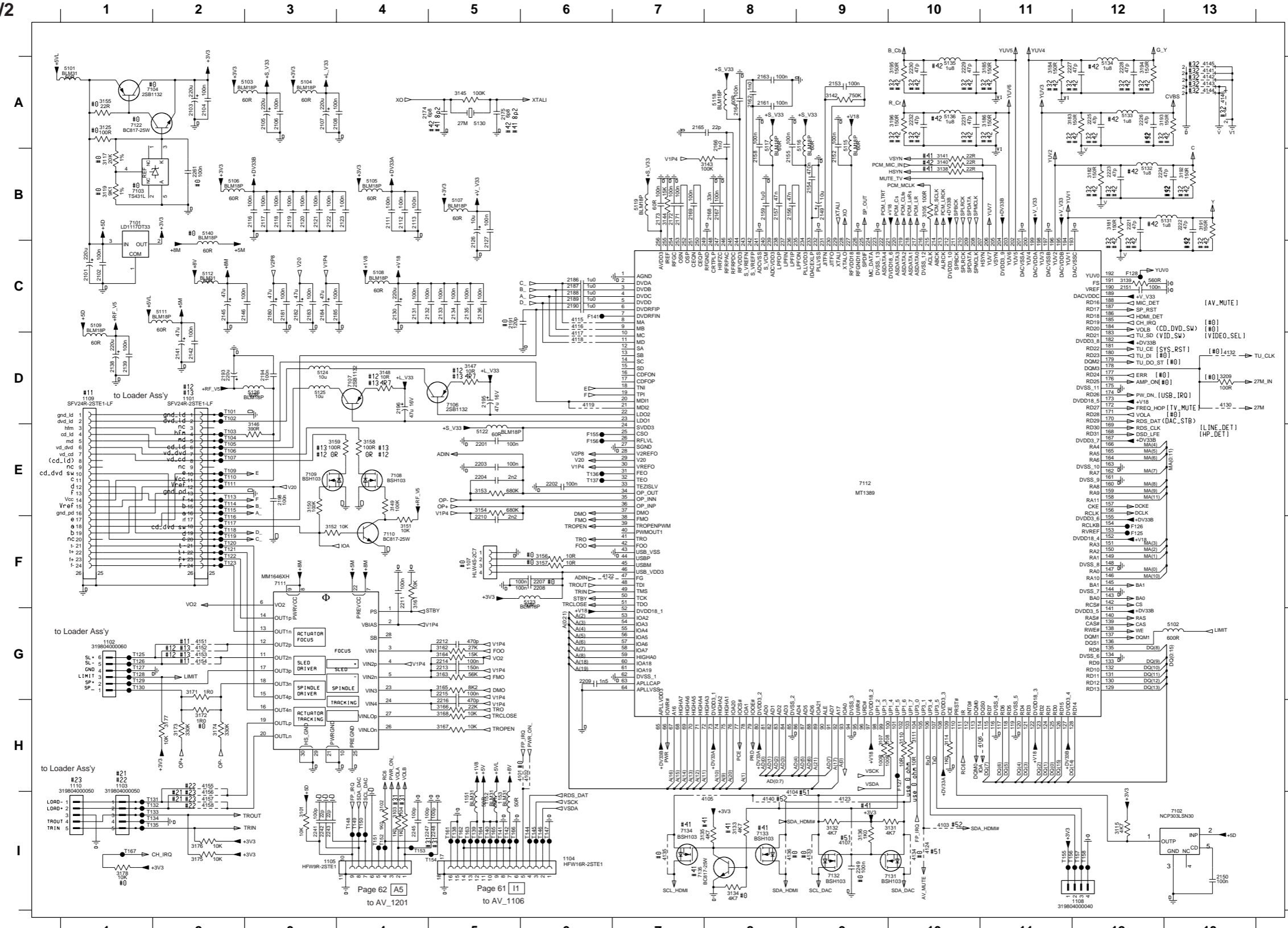


The first digit of a component indicates the component type.

- 1xxx : Connector
- 3xxx : Resistor
- 5xxx : Coil
- 7xxx : IC, Transistor, FET
- 2xxx : Capacitor
- 4xxx : SMD jumper
- 6xxx : Diode
- 9xxx : Wire jumper

**SCHEMATIC DIAGRAMS**  
**FOR INFORMATION ONLY (NO REPLACEMENT PARTS WILL BE AVAILABLE)**  
**MONO 1/2**

**DVR-1000**



1101 D2	2243 I3	5104 A3
1102 G1	2245 I4	5105 B4
1103 H1	2247 I4	5106 B2
1104 I6	2248 I5	5107 B5
1105 I3	2249 I9	5108 C4
1107 F5	2261 B2	5109 C1
1108 I2	3101 I3	5111 C2
1109 D1	3102 I4	5112 C2
1110 H1	3103 I4	5115 A9
1151 I5	3104 I4	5116 A9
1152 I5	3105 B10	5117 A8
1153 I5	3107 H9	5118 A8
2101 C1	3108 H9	5119 B7
2102 C1	3110 H10	5122 E5
2103 A2	3111 H10	5123 F6
2104 A2	3114 H10	5124 D3
2105 A3	3115 I12	5125 D3
2106 A3	3117 B1	5126 D3
2107 A3	3119 B1	5130 A5
2108 A4	3125 A1	5131 B13
2111 B4	3131 I10	5132 B12
2112 B4	3132 I9	5133 A12
2113 B4	3133 I8	5134 A12
2116 B3	3134 I8	5135 A10
2117 B3	3143 B8	5136 A10
2118 B3	3136 I9	5140 B2
2119 B3	3138 B10	5141 B1
2120 B3	3139 C12	7102 I13
2121 B3	3140 B10	7103 B1
2122 B3	3141 B10	7104 A1
2123 B4	3142 A9	7106 D5
2124 B4	3143 B8	7107 D4
2125 C5	3144 B7	7108 E4
2130 C4	3145 A5	7109 E3
2131 C4	3146 E3	7110 F4
2132 C5	3147 D5	7111 F3
2133 C5	3148 D4	7112 E9
2134 C5	3149 E4	7122 A1
2135 C5	3150 E3	7131 I9
2136 C5	3151 F4	7132 I9
2138 D1	3152 F3	7133 I8
2139 D1	3153 E5	7134 I7
2141 D2	3154 E5	7135 I7
2142 D2	3155 A1	F125 F12
2145 C2	3156 F6	F126 F12
2146 C3	3157 C3	F127 H10
2149 B9	3158 E4	F128 C12
2150 I13	3159 E3	F141 C6
2151 C12	3161 F4	F155 E6
2152 B9	3162 G5	F156 E6
2153 A9	3163 G5	T101 D2
2154 B9	3164 G5	T102 D2
2155 B8	3165 G5	T103 E2
2156 B8	3166 H5	T104 E2
2157 B8	3167 H5	T105 E2
2158 B8	3168 H5	T106 E2
2159 B8	3171 G2	T107 E2
2161 A8	3172 H2	T109 E2
2162 A8	3173 H2	T110 E2
2163 A8	3174 H2	T111 E2
2164 A8	3175 I2	T113 E2
2165 A7	3176 I2	T114 E2
2166 A8	3177 H2	T115 E2
2167 B8	3178 I1	T116 F2
2168 B8	3181 B12	T117 F2
2169 B7	3182 B12	T118 F2
2171 B7	3183 A11	T119 F2
2172 B7	3184 A11	T120 F2
2173 B7	3185 A11	T121 F2
2174 A4	3186 A11	T122 F2
2175 A5	3191 B13	T123 F2
2180 C3	3192 B13	T125 G1
2181 C3	3193 A12	T126 G1
2182 C3	3194 A12	T127 G1
2183 C3	3195 A10	T128 G1
2184 C3	3196 A10	T129 G1
2185 C4	3209 D13	T130 G1
2186 C6	4101 H6	T131 I1
2187 C6	4102 H6	T132 I1
2188 C6	4103 I10	T133 I1
2189 C6	4104 I8	T134 I1
2190 C6	4105 I8	T135 I1
2191 C5	4106 H10	T136 E6
2193 D2	4107 I9	T137 E6
2194 D3	4115 C6	T138 I5
2195 D5	4116 C6	T139 I5
2196 D4	4117 D6	T140 I5
2198 E3	4118 D6	T141 I5
2201 E5	4119 D6	T142 I5
2202 E5	4122 F6	T144 I6
2203 E5	4123 I9	T145 I6
2204 E5	4124 I10	T146 I6
2207 F6	4130 D13	T147 I6
2208 F6	4132 D13	T148 I4
2209 G6	4133 I9	T149 I4
2210 F5	4134 I10	T150 I4
2211 F4	4135 I7	T151 I4
2212 G5	4136 I8	T152 I4
2213 G5	4140 I8	T153 I4
2214 G5	4141 A13	T154 I5
2215 G5	4142 A13	T155 I11
2216 H5	4143 A13	T156 I11
2221 B12	4144 A13	T157 I12
2222 B13	4145 A13	T158 I12
2223 B12	4146 A13	T159 I5
2224 B12	4151 G2	T162 I5
2225 A12	4152 G2	T163 I5
2226 A12	4153 G2	T164 I5
2227 A11	4154 G2	T165 I5
2228 A12	4155 G2	T166 I5
2229 A10	4156 I2	T167 I11
2230 A10	4157 I2	
2231 A10	4158 I2	
2232 A10	5101 A1	
2241 I3	5102 G13	
2242 I3	5103 A3	

#0 PROVISION	#11 DV33	#21 WXD-8136	#31 RECEIVERS	#41 DIGITAL VIDEO	#51 SINGLE I2C [xxx] YHTS1000
#12 DV34	#22 WXD-8229	#32 PLAYERS	#42 ANALOG VIDEO	#52 2 I2C LINE	
#13 KHM310	#23 DLM-1D	#24 5CDC			

\* Components having special characteristics are marked  $\Delta$  and must be replaced with parts having specifications equal to those originally installed.  
 \* Schematic diagram is subject to change without notice.

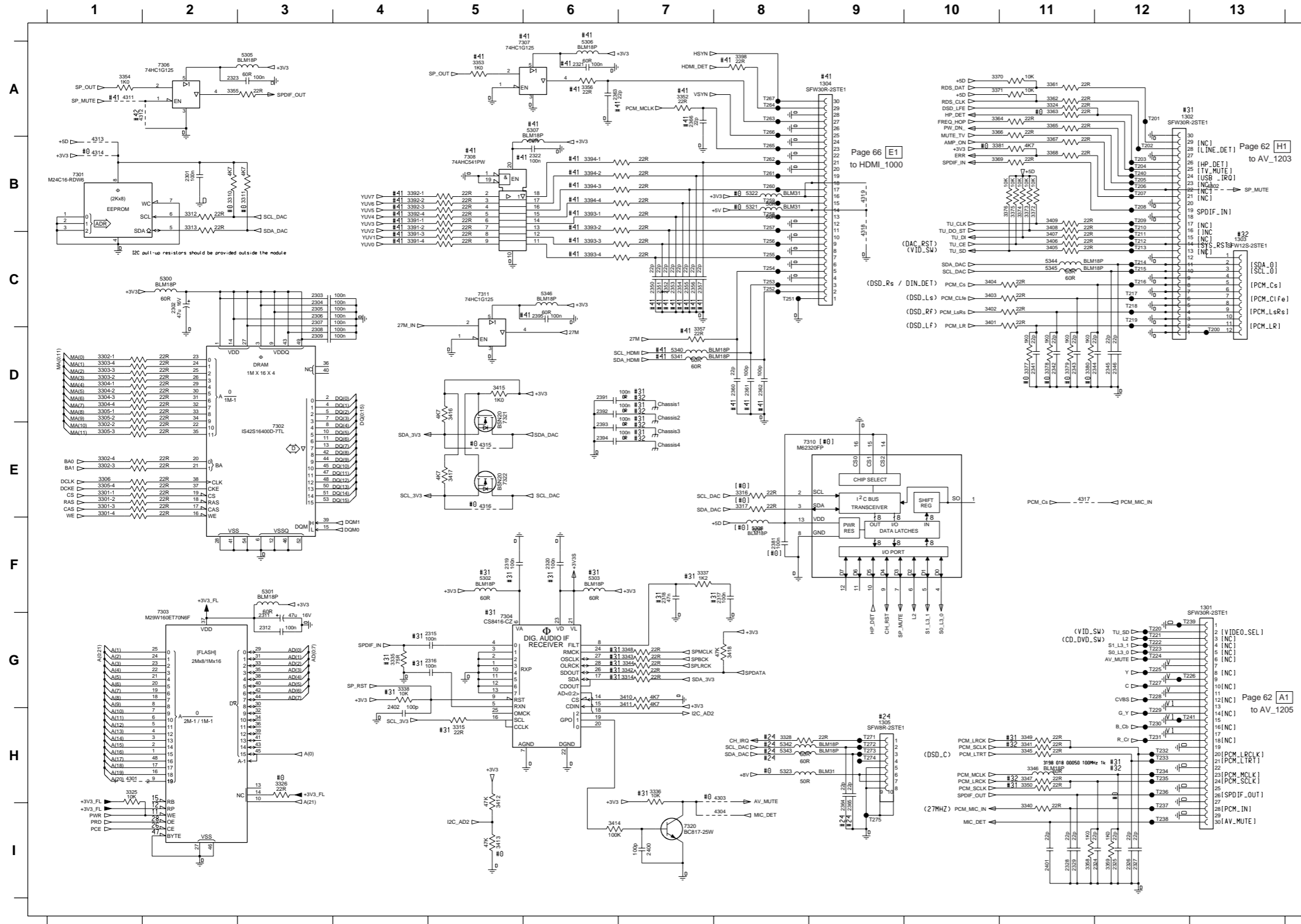
\*  $\Delta$ 印のある部品は、安全性確保部品を示しています。部品の交換が必要な場合、パーツリストに記載されている部品を使用してください。  
 \* 本回路図は、標準回路図です。改良のため予告なく変更することがございます。

MONO 2/2

DVR-1000

The first digit of a component indicates the component type.

- 1xxx : Connector    3xxx : Resistor    5xxx : Coil    7xxx : IC, Transistor, FET
- 2xxx : Capacitor    4xxx : SMD jumper    6xxx : Diode    9xxx : Wire jumper



1301 F13	3356 A6	T209 B12
1302 A12	3357 D7	T210 B12
1303 C13	3358 H11	T211 C12
1304 A9	3359 H12	T212 C12
1305 H9	3361 A11	T213 C12
2301 B2	3362 A11	T214 C12
2302 C2	3363 A11	T215 C12
2303 C3	3364 A10	T216 C12
2304 C3	3365 A11	T217 C12
2305 C3	3366 A10	T218 C12
2306 C3	3367 B11	T219 C12
2307 C3	3368 B11	T220 G12
2308 D3	3369 B10	T221 G12
2309 D3	3370 A10	T222 G12
2311 G3	3371 A10	T223 G12
2312 G3	3372 B11	T224 G12
2315 G5	3373 B11	T225 G12
2316 G5	3374 B11	T226 G12
2317 F8	3375 B11	T227 G12
2318 F7	3376 B11	T228 G12
2319 F5	3377 D11	T229 H12
2320 F6	3378 D11	T230 H12
2321 A6	3379 D11	T231 H12
2322 B6	3380 D11	T232 H12
2323 A2	3381 A11	T233 H12
2324 H2	3391-A B4	T234 H12
2325 H2	3391-2 B4	T235 H12
2326 H2	3391-3 C4	T236 H12
2327 H2	3391-4 C4	T237 H12
2328 H1	3392-1 B4	T238 H12
2329 H1	3392-2 B4	T239 G12
2341 D11	3392-3 B4	T240 B12
2342 D11	3392-4 B4	T241 H12
2343 D11	3393-1 B6	T251 C8
2344 D12	3393-2 B6	T252 C8
2345 D12	3393-3 C6	T253 C8
2346 D12	3393-4 C6	T254 C8
2350 C7	3394-1 B6	T255 C8
2351 C7	3394-2 B6	T256 C8
2352 C7	3394-3 B6	T257 B8
2353 C7	3394-4 B6	T258 B8
2354 C7	3398 A8	T259 B8
2355 C7	3401 C10	T260 B8
2356 C7	3402 C10	T261 B8
2357 C7	3403 C10	T262 B8
2360 D8	3404 C10	T263 A8
2361 D8	3405 C11	T264 A8
2362 D8	3406 C11	T265 B8
2363 A6	3407 C11	T266 A8
2364 B9	3408 B11	T267 A8
2365 B9	3409 B11	T271 H9
2366 A7	3410 G7	T272 H9
2367 F8	3411 G7	T273 H9
2391 D6	3412 H5	T274 H9
2392 D6	3413 I5	T275 I9
2393 E6	3414 I6	
2394 E6	3415 D5	
2395 C6	3416 D5	
2400 I7	3417 E5	
2401 H1	3418 G8	
2402 G4	4301 H1	
3301-1 E1	4302 B13	
3301-2 E1	4303 H8	
3301-3 E1	4304 I8	
3301-4 E1	4311 A1	
3302-1 D1	4312 A1	
3302-2 E1	4313 B1	
3302-3 E1	4314 B1	
3302-4 E1	4315 E5	
3303-2 D1	4316 E5	
3303-3 D1	4317 E11	
3303-4 D1	4318 B9	
3304-1 D1	4319 B9	
3304-2 D1	5300 C2	
3304-3 D1	5301 F3	
3304-4 D1	5302 F5	
3305-1 D1	5303 F6	
3305-2 D1	5305 A3	
3305-3 E1	5306 A6	
3305-4 E1	5307 A6	
3306 E1	5308 F8	
3310 B2	5321 B8	
3311 B3	5322 B8	
3312 B2	5323 H8	
3313 B2	5340 D7	
3314 G7	5341 D7	
3315 H5	5342 H8	
3316 E8	5343 H8	
3317 E8	5344 C11	
3324 A11	5345 C11	
3325 H1	5346 C6	
3326 H1	7301 B1	
3328 H8	7302 E3	
3335 G4	7303 G2	
3336 H7	7304 G5	
3337 F7	7306 A2	
3338 G4	7307 A5	
3340 H1	7308 B5	
3341 H1	7310 E8	
3342 G7	7311 C5	
3343 G7	7320 I7	
3344 G7	7321 D5	
3345 H11	7322 E5	
3346 H11	T200 D13	
3347 H11	T201 A12	
3348 G7	T202 B12	
3349 H11	T203 B12	
3350 H11	T204 B12	
3352 A7	T205 B12	
3353 A5	T206 B12	
3354 A1	T207 B12	
3355 A2	T208 B12	

#0	PROVISION
#11	DV33
#12	DV34
#13	KHM310
#21	WXD-8136
#22	WXD-8229
#23	DLM-1D
#24	5DCD
#31	RECEIVERS
#32	PLAYERS
#41	DIGITAL VIDEO
#42	ANALOG VIDEO
[xxx]	YHTS1000

\* Components having special characteristics are marked  $\Delta$  and must be replaced with parts having specifications equal to those originally installed.  
 \* Schematic diagram is subject to change without notice.

\*  $\Delta$ 印のある部品は、安全性確保部品を示しています。部品の交換が必要な場合、パーツリストに記載されている部品を使用してください。  
 \* 本回路図は、標準回路図です。改良のため予告なく変更することがございます。

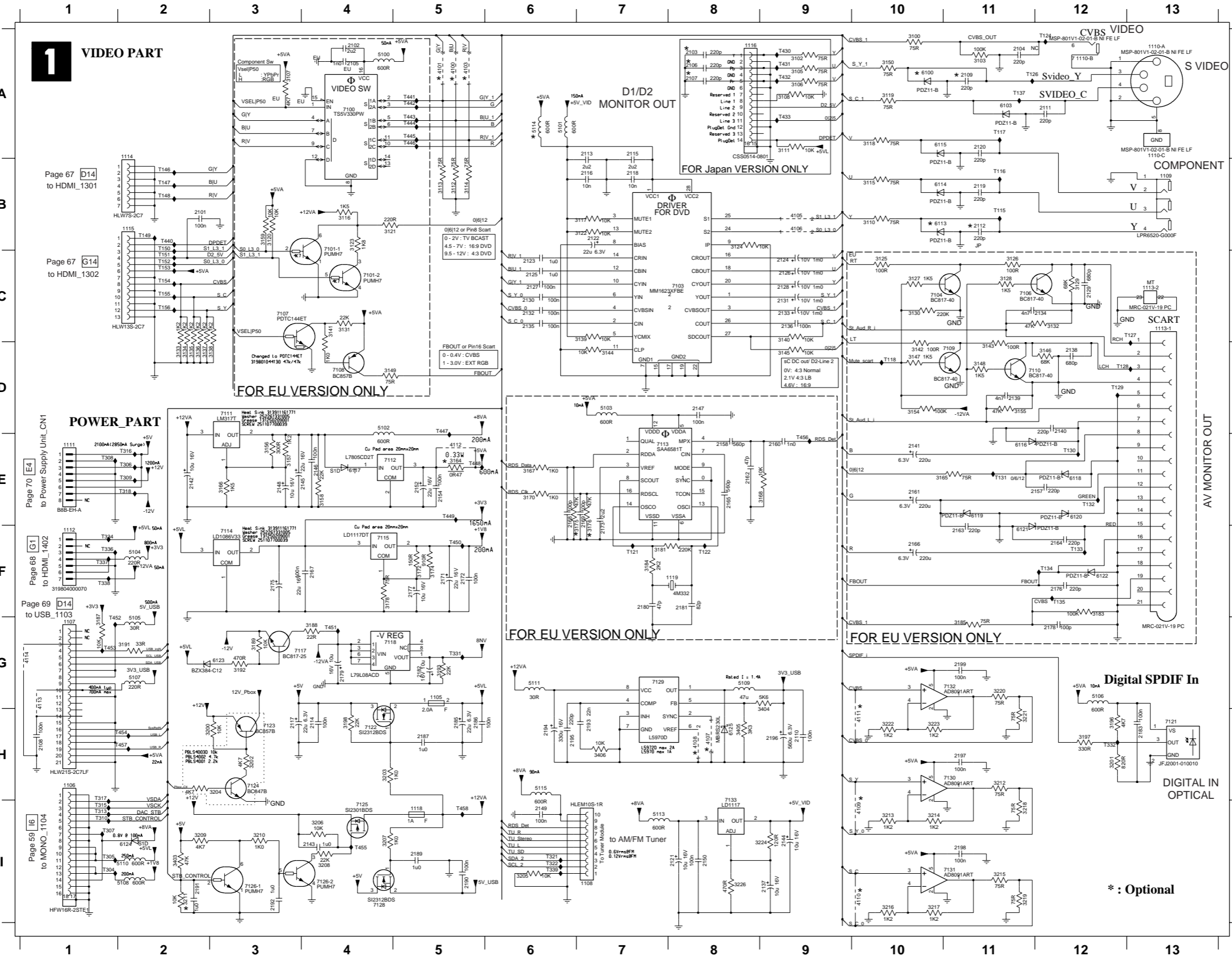
The first digit of a component indicates the component type.

1xxx : Connector 3xxx : Resistor 5xxx : Coil 7xxx : IC, Transistor, FET

2xxx : Capacitor 4xxx : SMD jumper 6xxx : Diode 9xxx : Wire jumper

AV 1/2

DVR-1000



1 VIDEO PART

2 POWER PART

\* Components having special characteristics are marked  $\Delta$  and must be replaced with parts having specifications equal to those originally installed.  
 \* Schematic diagram is subject to change without notice.

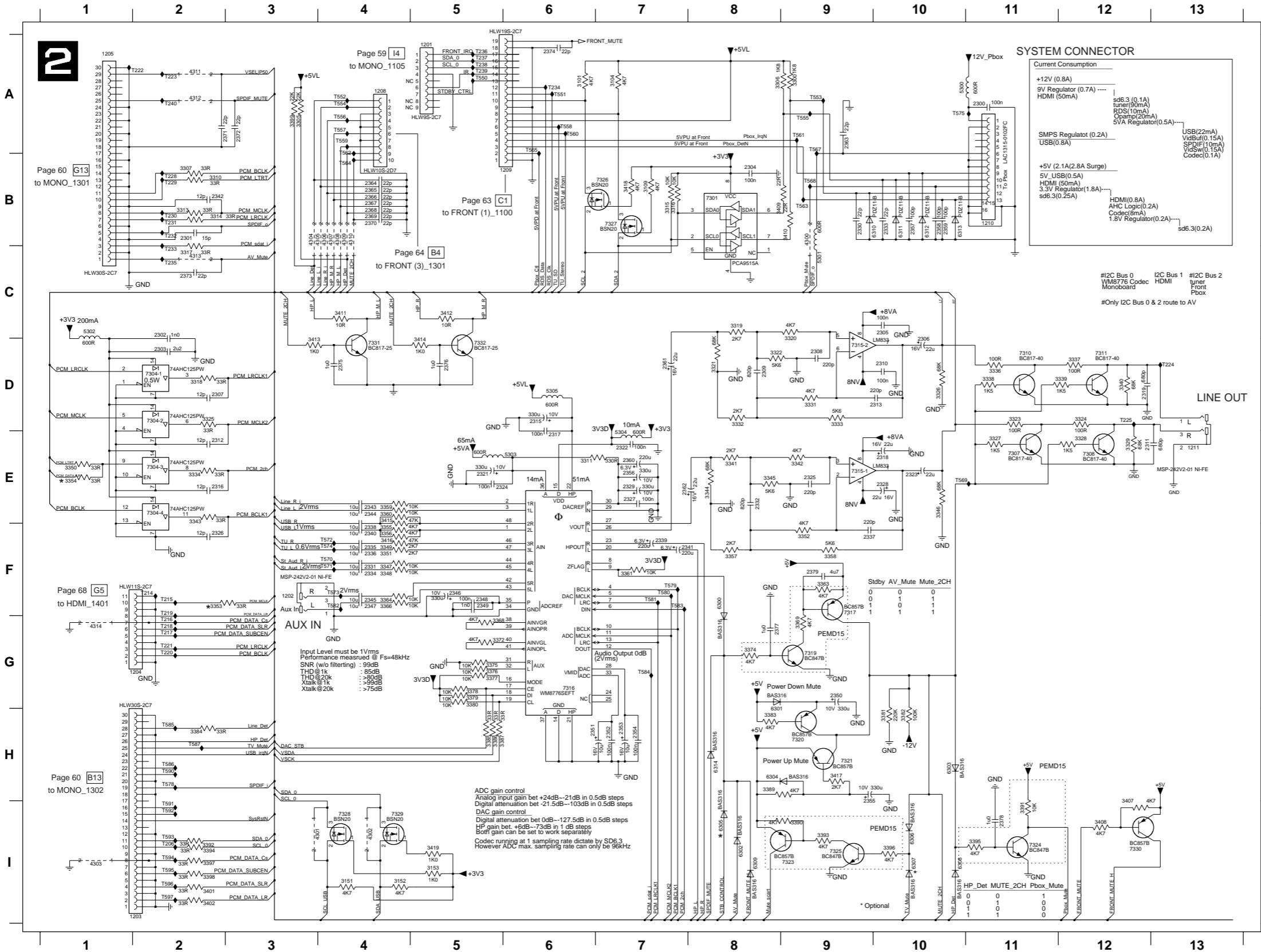
\*  $\Delta$ 印のある部品は、安全性確保部品を示しています。部品の交換が必要な場合、パーツリストに記載されている部品を使用してください。  
 \* 本回路図は、標準回路図です。改良のため予告なく変更することがございます。

1105 G5	3114 B5	5108 I2	T452 G1
1106 H1	3115 B10	5109 G8	T453 G1
1107 G1	3116 B4	5110 I2	T454 H2
1108 I7	3117 B7	5111 G6	T455 I4
1109 B13	3118 A10	5112 I7	T456 E9
1110-A A13	3119 A10	5114 A6	T457 H2
1110-B A12	3120 B3	5115 H6	T458 I5
1110-C A11	3121 B4	6100 A10	
1111 E1	3122 B7	6103 A11	
1112 F1	3123 B4	6113 B10	
1113-1 C13	3124 B8	6114 B10	
1113-2 C13	3125 C10	6115 A10	
1114 A2	3126 C11	6116 E11	
1115 B2	3127 C10	6117 E4	
1116 A8	3128 C11	6118 E12	
1118 I5	3129 C12	6119 E11	
1119 F8	3130 C10	6120 E12	
2101 B2	3131 C4	6121 F11	
2102 A4	3132 C12	6122 F12	
2103 A8	3133 D2	6123 G3	
2104 A11	3134 D2	6124 I2	
2105 A4	3135 D2	6125 H8	
2106 A8	3136 D2	7100 A4	
2107 A8	3137 D2	7101-1 C4	
2108 H1	3138 D3	7101-2 C4	
2109 A11	3139 C7	7103 C8	
2110 H9	3140 C9	7104 C10	
2111 A12	3141 C4	7106 C11	
2112 B11	3142 D10	7107 C3	
2113 A7	3143 D11	7108 D4	
2114 H4	3144 D7	7109 D10	
2115 A7	3145 D9	7110 D11	
2116 B7	3146 D12	7111 D3	
2117 H3	3147 D10	7112 E4	
2118 B7	3148 D11	7113 E7	
2119 B11	3149 D4	7114 F3	
2120 A11	3150 A10	7115 F4	
2121 B9	3151 D10	7117 G4	
2122 B7	3152 D11	7118 G5	
2123 C6	3156 E3	7121 H13	
2124 C9	3157 E3	7122 H4	
2125 C6	3158 E4	7123 H3	
2126 C9	3159 B3	7124 H3	
2127 C6	3164 E5	7125 I4	
2128 C9	3165 D10	7126-1 H3	
2129 C12	3166 E3	7126-2 H4	
2130 C6	3167 E6	7128 I4	
2131 C9	3168 E9	7129 G7	
2132 C6	3170 E6	7130 H11	
2133 C9	3172 F5	7131 I11	
2134 C12	3174 F5	7132 G11	
2135 C6	3175 F7	7133 I8	
2136 C9	3176 F7	7135 B11	
2137 I9	3178 F4	7136 B11	
2138 D12	3181 F7	7137 F11	
2139 D11	3183 F12	7138 D10	
2140 D12	3184 F7	7139 F8	
2141 E10	3185 G11	7142 F8	
2142 E2	3187 G11	7144 A12	
2143 I4	3188 G4	7146 A11	
2144 I9	3189 G3	7147 C13	
2145 E4	3191 G2	7148 D12	
2146 E4	3192 G3	7149 D12	
2147 D8	3193 G5	7150 E12	
2148 E3	3196 H12	7151 E11	
2149 I6	3197 H12	7152 E12	
2150 I8	3198 H4	7153 F12	
2152 E5	3200 H2	7154 F12	
2154 E5	3201 H2	7155 F12	
2157 E12	3202 H3	7157 A11	
2158 E8	3203 H4	7146 B2	
2160 E9	3204 H3	7147 B2	
2161 E10	3205 I6	7148 B2	
2162 E8	3206 I4	7149 B2	
2163 F11	3207 I4	7150 B2	
2164 F12	3208 I4	7151 C2	
2165 E8	3209 I2	7152 C2	
2166 F10	3210 I3	7153 C2	
2167 F4	3211 I2	7154 C2	
2168 E6	3212 H11	7155 C2	
2169 E7	3213 I10	7156 C2	
2171 F5	3214 I10	T304 I1	
2172 F5	3215 I11	T305 I1	
2173 F7	3216 I10	T306 E2	
2175 F3	3217 I10	T307 I1	
2176 F12	3218 I11	T308 E1	
2177 F5	3219 I11	T309 E2	
2178 G12	3220 G11	T310 I1	
2179 G4	3221 H11	T313 I1	
2180 F7	3222 H10	T315 I1	
2181 F8	3223 H10	T316 E2	
2182 G5	3224 I9	T317 H1	
2183 H13	3226 I8	T318 E2	
2185 H5	3403 I2	T321 I6	
2186 H5	3404 G9	T322 I6	
2187 H5	3405 H8	T331 G5	
2189 I5	3406 H7	T332 H12	
2190 I5	4100 A5	T334 F1	
2191 I2	4101 A5	T336 F1	
2192 I3	4103 A5	T337 F1	
2193 H7	4105 B9	T338 F1	
2194 H6	4106 B9	T339 I6	
2195 H6	4107 H8	T430 A9	
2196 H9	4108 H8	T431 A9	
2197 H11	4109 H10	T432 A9	
2198 H11	4110 H10	T433 A9	
2199 G11	4111 H10	T440 B2	
3100 A10	4112 E5	T441 A5	
3102 A9	4113 G1	T442 A5	
3103 A11	4114 G1	T443 A5	
3105 A9	5100 A4	T444 A5	
3106 A9	5101 A6	T445 A5	
3107 A3	5102 D4	T446 A5	
3108 A9	5103 D7	T447 D5	
3110 B10	5104 F2	T448 E5	
3111 A9	5105 G2	T449 E5	
3112 B5	5106 G12	T450 F5	
3113 B5	5107 G2	T451 G4	

DVR-1000

The first digit of a component indicates the component type.

- 1xxx : Connector
- 2xxx : Capacitor
- 3xxx : Resistor
- 4xxx : SMD jumper
- 5xxx : Coil
- 6xxx : Diode
- 7xxx : IC, Transistor, FET
- 8xxx : Wire jumper
- 9xxx : Wire jumper



1201 A5	3332 D8	7308 E12
1202 F3	3333 D9	7310 D11
1203 I2	3334 E2	7311 D12
1204 G2	3336 D11	7315-1 E9
1205 A1	3337 D12	7315-2 D9
1208 A4	3338 D11	7316 G6
1209 B6	3339 D12	7317 F9
1210 B11	3340 D12	7319 G9
1211 E13	3341 E8	7320 H9
2300 A11	3342 E9	7321 H9
2301 B2	3343 E2	7323 I9
2302 C2	3344 E8	7324 I11
2303 D2	3345 E8	7325 I9
2304 B8	3346 E10	7326 B7
2305 C10	3347 F4	7327 B7
2306 D10	3348 F4	7328 I4
2307 D2	3349 F4	7329 I4
2308 D8	3350 E1	7330 I2
2309 D8	3351 F4	7331 D4
2310 D10	3352 F9	7332 D5
2311 E12	3353 F2	7332 I2
2312 E2	3354 E1	7334 F2
2313 D10	3355 F4	7335 F2
2315 D6	3356 F4	7336 I2
2316 E2	3357 F8	7337 G2
2317 E6	3358 F9	7338 G2
2318 E10	3359 E4	7339 F2
2319 D12	3360 E4	7340 G2
2321 E5	3361 F7	7341 G2
2322 E7	3363 F9	7342 A2
2323 E10	3364 F4	7343 A2
2324 E5	3366 F4	7344 D13
2325 E9	3368 G5	7345 D12
2326 F2	3369 G9	7346 B2
2327 E7	3372 G5	7347 B2
2328 E10	3374 G8	7348 B2
2329 E7	3375 G5	7349 B2
2330 B9	3376 G3	7350 B2
2331 F4	3377 G5	7351 G2
2332 E8	3378 G5	7352 A6
2333 B10	3379 G5	7353 C2
2334 F4	3380 G5	7354 A5
2335 F4	3381 H10	7355 A5
2336 F4	3382 H10	7356 A5
2337 F9	3383 H8	7357 A5
2338 F4	3384 H2	7358 A2
2339 F7	3385 H5	7359 A5
2340 F4	3386 H5	7360 A6
2341 F7	3387 H6	7361 A9
2342 B2	3388 H8	7362 A9
2343 E4	3390 I9	7363 A4
2344 E4	3391 I11	7364 A4
2345 F4	3392 I2	7365 A4
2346 F5	3393 I9	7366 A4
2347 F4	3394 I2	7367 A6
2348 F5	3395 I11	7368 A6
2349 F5	3396 I10	7369 A6
2350 G9	3397 I2	7370 A9
2351 H6	3398 I2	7371 H6
2352 H7	3399 A3	7372 B9
2353 H7	3401 I2	7373 B4
2354 H7	3402 I2	7374 A6
2355 H9	3407 H12	7375 A9
2356 E7	3408 I12	7376 B9
2357 B10	3409 B8	7377 B10
2358 B10	3410 B9	7378 F4
2359 B10	3411 C4	7379 F4
2360 E7	3412 C5	7380 F4
2361 D7	3413 D3	7381 F4
2362 E7	3414 D5	7382 F4
2363 A9	3415 E4	7383 A10
2364 B4	3416 F4	7384 H2
2365 B4	3417 H9	7385 H2
2366 B4	3418 B7	7386 F7
2367 B4	3419 I5	7387 F7
2368 B4	4300 B9	7388 F4
2369 B4	4301 I3	7389 F7
2370 B4	4302 I4	7390 G7
2371 A3	4303 I1	7391 H2
2372 A3	4304 B3	7392 H2
2373 C2	4305 B4	7393 H2
2374 A6	4306 B4	7394 H2
2375 D4	4307 B4	7395 I2
2376 D5	4308 B4	7396 I2
2377 G8	4309 B4	7397 I2
2378 I11	4310 B4	7398 I2
2379 F9	4311 A2	7399 I2
3101 A6	4312 A2	7399 I2
3104 A7	4313 C2	7399 I2
3109 B7	4314 G1	7399 I2
3151 I4	5300 A10	7399 I2
3152 I4	5301 C9	7399 I2
3153 I5	5302 C1	7399 I2
3300 A9	5303 E6	7399 I2
3305 A3	5304 E7	7399 I2
3306 A8	5305 D6	7399 I2
3307 B2	6300 F8	7399 I2
3310 B2	6301 G8	7399 I2
3311 E6	6302 I8	7399 I2
3313 B2	6303 H10	7399 I2
3314 B2	6304 H8	7399 I2
3315 B7	6305 I8	7399 I2
3316 B7	6306 I10	7399 I2
3317 C2	6307 H10	7399 I2
3318 D2	6308 I10	7399 I2
3319 C8	6309 I8	7399 I2
3320 C9	6310 B9	7399 I2
3321 D8	6311 B10	7399 I2
3322 D8	6312 B10	7399 I2
3323 D11	6313 B10	7399 I2
3324 D12	6314 H8	7399 I2
3325 D2	7301 B8	7399 I2
3326 D10	7304-1 D2	7399 I2
3327 E11	7304-2 D2	7399 I2
3328 E12	7304-3 E2	7399 I2
3329 E12	7304-4 E2	7399 I2
3331 D9	7307 E11	7399 I2

\* Components having special characteristics are marked  $\Delta$  and must be replaced with parts having specifications equal to those originally installed.  
 \* Schematic diagram is subject to change without notice.

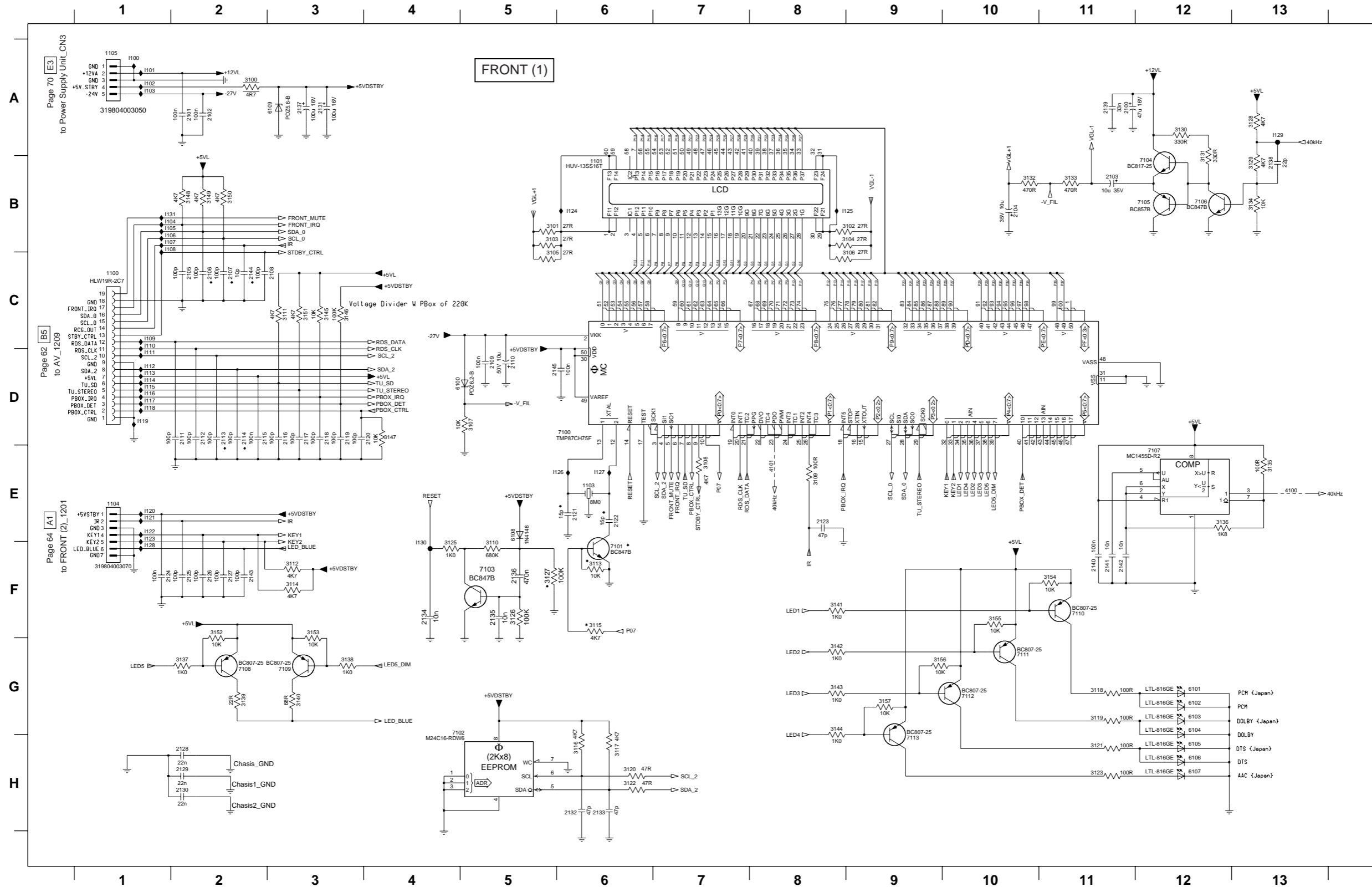
\*  $\Delta$ 印のある部品は、安全性確保部品を示しています。部品の交換が必要な場合、パーツリストに記載されている部品を使用してください。  
 \* 本回路図は、標準回路図です。改良のため予告なく変更することがございます。

The first digit of a component indicates the component type.

- 1xxx : Connector
- 2xxx : Capacitor
- 3xxx : Resistor
- 4xxx : SMD jumper
- 5xxx : Coil
- 6xxx : Diode
- 7xxx : IC, Transistor, FET
- 8xxx : Diode
- 9xxx : Wire jumper

FRONT 1/2

DVR-1000



1100 C1	3154 F11
1101 B6	3155 F10
1103 E6	3156 G9
1104 E1	3157 G9
1105 A1	4100 E13
2100 A11	4101 E8
2101 A2	6100 D4
2102 A2	6101 G12
2103 B11	6102 G12
2104 B10	6103 G12
2105 C2	6104 G12
2106 C2	6105 H12
2107 C2	6106 H12
2108 C3	6107 H12
2109 D5	6108 E5
6109 A3	6109 A3
2111 D2	7100 D6
2112 D2	7101 F6
2113 D2	7102 H5
2114 D2	7103 F5
2115 D2	7104 B12
2116 D3	7105 B12
2117 D3	7106 B12
2118 D3	7107 E12
2119 D3	7108 G2
2120 D4	7109 G3
2121 E6	7110 F11
2122 E6	7111 G10
2123 E8	7112 G10
2124 F1	7113 H9
2125 F2	I100 A1
2126 F2	I101 A1
2127 F2	I102 A1
2128 H2	I103 A1
2129 H2	I104 B1
2130 H2	I105 B1
2131 A3	I106 B1
2132 H6	I107 B1
2133 H6	I108 B1
2134 F4	I109 C1
2135 F5	I110 C1
2136 F5	I111 D1
2137 A3	I112 D1
2138 B13	I113 D1
2139 A11	I114 D1
2140 F11	I115 D1
2141 F11	I116 D1
2142 F11	I117 D1
2143 F2	I118 D1
2144 C2	I119 D1
2145 D5	I120 E1
3100 A2	I121 E1
3101 B5	I122 E1
3102 B9	I123 E1
3103 B5	I124 B6
3104 B9	I125 B9
3105 C5	I126 E6
3106 C9	I127 E6
3107 D5	I128 F1
3108 E7	I129 A13
3109 E8	I130 F4
3110 F5	I131 B1
3111 C3	
3112 F3	
3113 F6	
3114 F3	
3115 F6	
3116 H6	
3117 H6	
3118 G11	
3119 G11	
3120 H6	
3121 H11	
3122 H6	
3123 H11	
3125 F4	
3126 F5	
3127 F5	
3128 A13	
3129 B13	
3130 A12	
3131 B12	
3132 B10	
3133 B11	
3134 B13	
3135 E13	
3136 E12	
3137 G2	
3138 G3	
3139 G2	
3140 G3	
3141 F8	
3142 G8	
3143 G8	
3144 G8	
3145 C3	
3146 C3	
3147 D4	
3148 B2	
3149 B2	
3150 B2	
3151 C3	
3152 F2	
3153 F3	

\* Components having special characteristics are marked  $\Delta$  and must be replaced with parts having specifications equal to those originally installed.  
 \* Schematic diagram is subject to change without notice.

\*  $\Delta$ 印のある部品は、安全性確保部品を示しています。部品の交換が必要な場合、パーツリストに記載されている部品を使用してください。  
 \* 本回路図は、標準回路図です。改良のため予告なく変更することがございます。





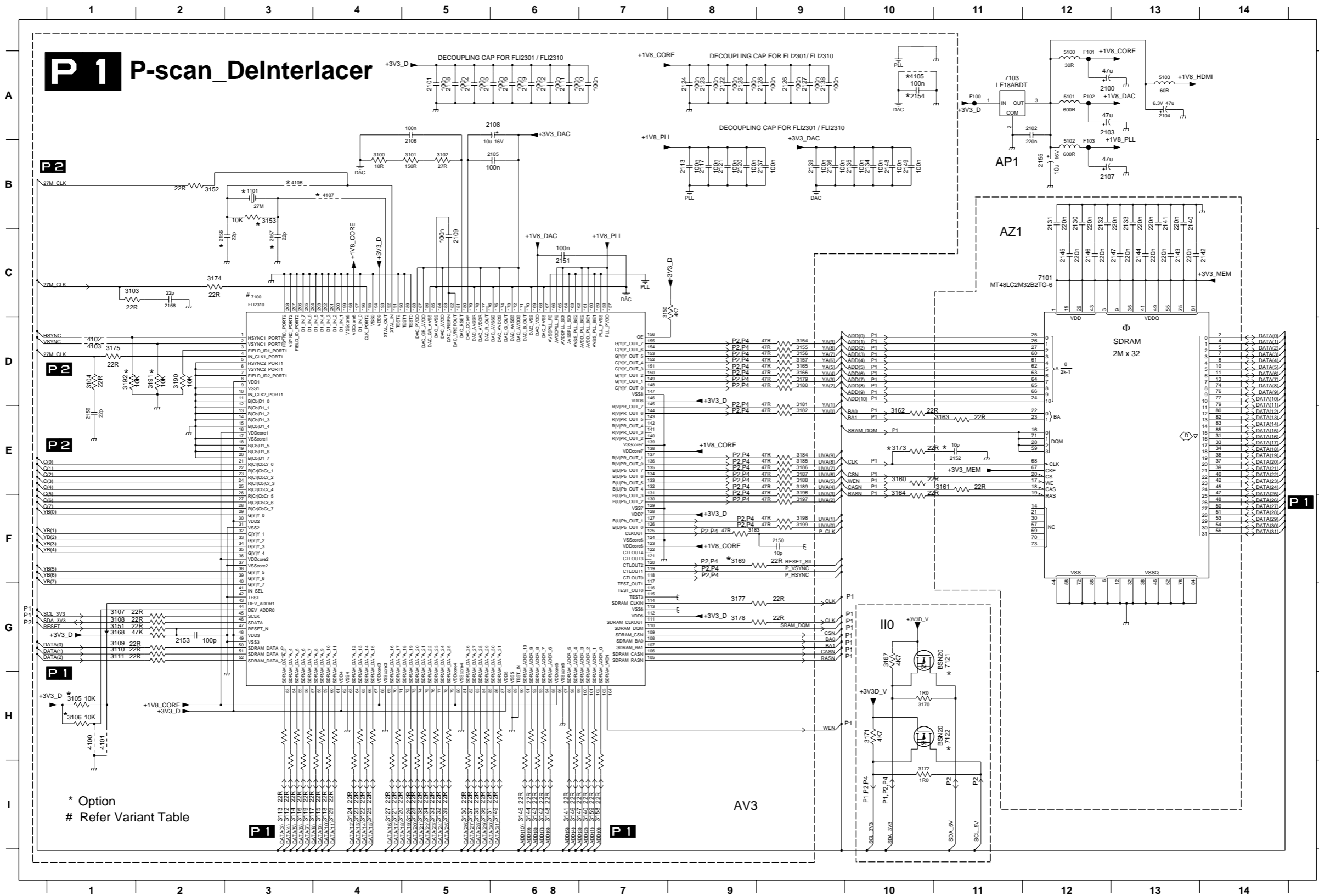
The first digit of a component indicates the component type.

1xxx : Connector    3xxx : Resistor    5xxx : Coil    7xxx : IC, Transistor, FET

2xxx : Capacitor    4xxx : SMD jumper    6xxx : Diode    9xxx : Wire jumper

HDMI 1/4

DVR-1000



- 1101 B3
- 2100 A12
- 2101 A5
- 2102 A12
- 2103 A12
- 2104 A13
- 2105 B6
- 2106 A5
- 2107 B12
- 2108 A6
- 2109 C5
- 2110 A7
- 2111 A6
- 2112 A6
- 2113 B8
- 2114 A5
- 2115 A5
- 2116 A6
- 2117 B8
- 2118 A5
- 2119 A6
- 2120 B8
- 2121 B8
- 2122 A8
- 2123 A8
- 2124 A8
- 2125 A8
- 2126 A9
- 2127 A9
- 2128 A9
- 2129 B12
- 2130 B12
- 2131 B12
- 2132 B12
- 2133 B12
- 2134 B10
- 2135 B10
- 2136 B9
- 2137 B9
- 2138 A9
- 2139 B9
- 2140 B13
- 2141 B13
- 2142 C14
- 2143 C13
- 2144 C13
- 2145 C12
- 2146 C12
- 2147 C13
- 2148 B10
- 2149 B10
- 2150 F9
- 2151 C6
- 2152 E11
- 2153 G2
- 2154 A10
- 2155 B12
- 2156 C2
- 2157 C3
- 2158 C2
- 2159 E1
- 3100 B4
- 3101 B5
- 3102 B5
- 3103 C1
- 3104 D1
- 3105 H1
- 3106 H1
- 3107 G1
- 3108 G1
- 3109 G1
- 3110 G1
- 3111 G1
- 3112 I3
- 3113 I3
- 3114 I3
- 3115 I4
- 3116 I3
- 3117 I3
- 3118 I4
- 3119 I3
- 3120 I4
- 3121 I4
- 3122 I4
- 3123 I4
- 3124 I4
- 3125 I4
- 3126 I5
- 3127 I4
- 3128 I5
- 3129 I4
- 3130 I5
- 3131 I5
- 3132 I5
- 3133 I5
- 3134 I5
- 3135 I5
- 3136 I5
- 3137 I5
- 3138 I5
- 3139 I5
- 3140 I7
- 3141 I6
- 3142 I6
- 3143 I6
- 3144 I6
- 3145 I6
- 3146 I6
- 3147 I7
- 3148 I6
- 3149 I6
- 3150 C7
- 3151 G1
- 3152 B2
- 3153 B3
- 3154 D9

Variant	Ref Des	7100
Dv6001	FLI2310	
	FLI2310	

\* Components having special characteristics are marked  $\Delta$  and must be replaced with parts having specifications equal to those originally installed.  
 \* Schematic diagram is subject to change without notice.

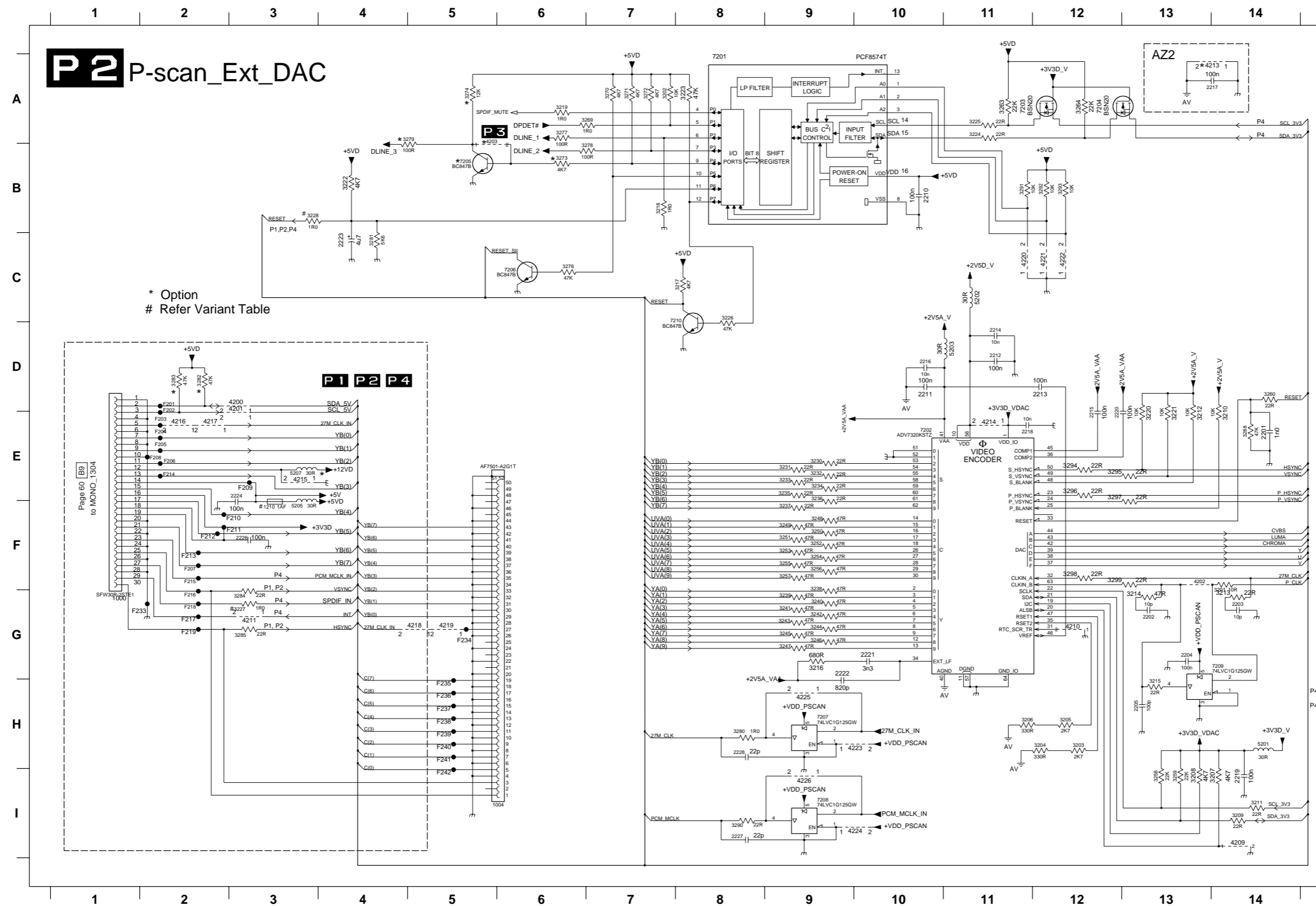
\*  $\Delta$ 印のある部品は、安全性確保部品を示しています。部品の交換が必要な場合、パーツリストに記載されている部品を使用してください。  
 \* 本回路図は、標準回路図です。改良のため予告なく変更することがございます。

HDMI 2/4

DVR-1000

The first digit of a component indicates the component type.

1xxx : Connector    3xxx : Resistor    5xxx : Coil    7xxx : IC, Transistor, FET  
 2xxx : Capacitor    4xxx : SMD jumper    6xxx : Diode    9xxx : Wire jumper



1000 G1	4201 D3
1004 I6	4202 F13
1210 F3	4203 A5
2201 E14	4209 H4
2202 G13	4210 G12
2203 G14	4211 G3
2204 G13	4213 A14
2205 H13	4214 E11
2210 B10	4215 E3
2211 D10	4216 E2
2212 D11	4217 E2
2213 D12	4218 G5
2214 D11	4219 G5
2215 E12	4220 C11
2216 D10	4221 C12
2217 A14	4222 C12
2218 E11	4223 H10
2219 H14	4224 H10
2220 E12	4225 H9
2221 G10	4226 I9
2222 G9	5201 H14
2223 C4	5202 C11
2224 E3	5203 D11
2226 F3	5205 F3
2227 I8	5207 E3
2228 H8	7201 A8
3201 G14	7202 E10
3202 A7	7203 A11
3203 H12	7204 A12
3204 H12	7205 B5
3205 H12	7206 C6
3206 H11	7207 H9
3207 H4	7208 I9
3208 I13	7209 G14
3209 H4	7210 D8
3210 E14	F201 D2
3211 H4	F202 E2
3212 E13	F203 E2
3213 G14	F204 E2
3214 G13	F205 E2
3215 H13	F206 E2
3216 G9	F207 F2
3217 C8	F208 E2
3218 B7	F209 E3
3219 A6	F210 F3
3220 E13	F211 F3
3221 E13	F212 F2
3222 B4	F213 F2
3223 A8	F214 E2
3224 A11	F215 F2
3225 C9	F216 G2
3227 G3	F217 G2
3228 B3	F219 G2
3230 E9	F233 G1
3231 E9	F234 G5
3232 E9	F235 H5
3233 E9	F236 H5
3234 E9	F237 H5
3235 E9	F238 H5
3236 E9	F239 H5
3237 F9	F240 H5
3238 G9	F241 H5
3239 G9	F242 I5
3240 G9	
3241 G9	
3242 G9	
3243 G9	
3244 G9	
3245 G9	
3246 G9	
3247 G9	
3248 F9	
3249 F9	
3250 F9	
3251 F9	
3252 F9	
3253 F9	
3254 F9	
3255 F9	
3256 F9	
3257 F9	
3258 H13	
3259 H13	
3260 D14	
3263 A11	
3264 A12	
3269 A7	
3270 A7	
3271 A7	
3272 B6	
3273 B6	
3274 A5	
3275 A5	
3276 A5	
3277 A6	
3278 B7	
3279 A5	
3280 H8	
3281 C4	
3282 D2	
3283 D2	
3284 G3	
3285 G3	
3288 E14	
3290 I8	
3291 B11	
3292 B12	
3293 B12	
3294 E12	
3295 E12	
3296 E12	
3297 E12	
3298 F12	
3299 F12	
4200 D3	

\* Option  
 # Refer Variant Table

Ref Des	1210	7202	3203 3205	3204 3206
Variant				
DV6001	F 1A	ADV7320	2K7	330R
	1206 0R	ADV7320	2K7	330R

\* Components having special characteristics are marked  $\Delta$  and must be replaced with parts having specifications equal to those originally installed.  
 \* Schematic diagram is subject to change without notice.

\*  $\Delta$ 印のある部品は、安全性確保部品を示しています。部品の交換が必要な場合、パーツリストに記載されている部品を使用してください。  
 \* 本回路図は、標準回路図です。改良のため予告なく変更することがございます。

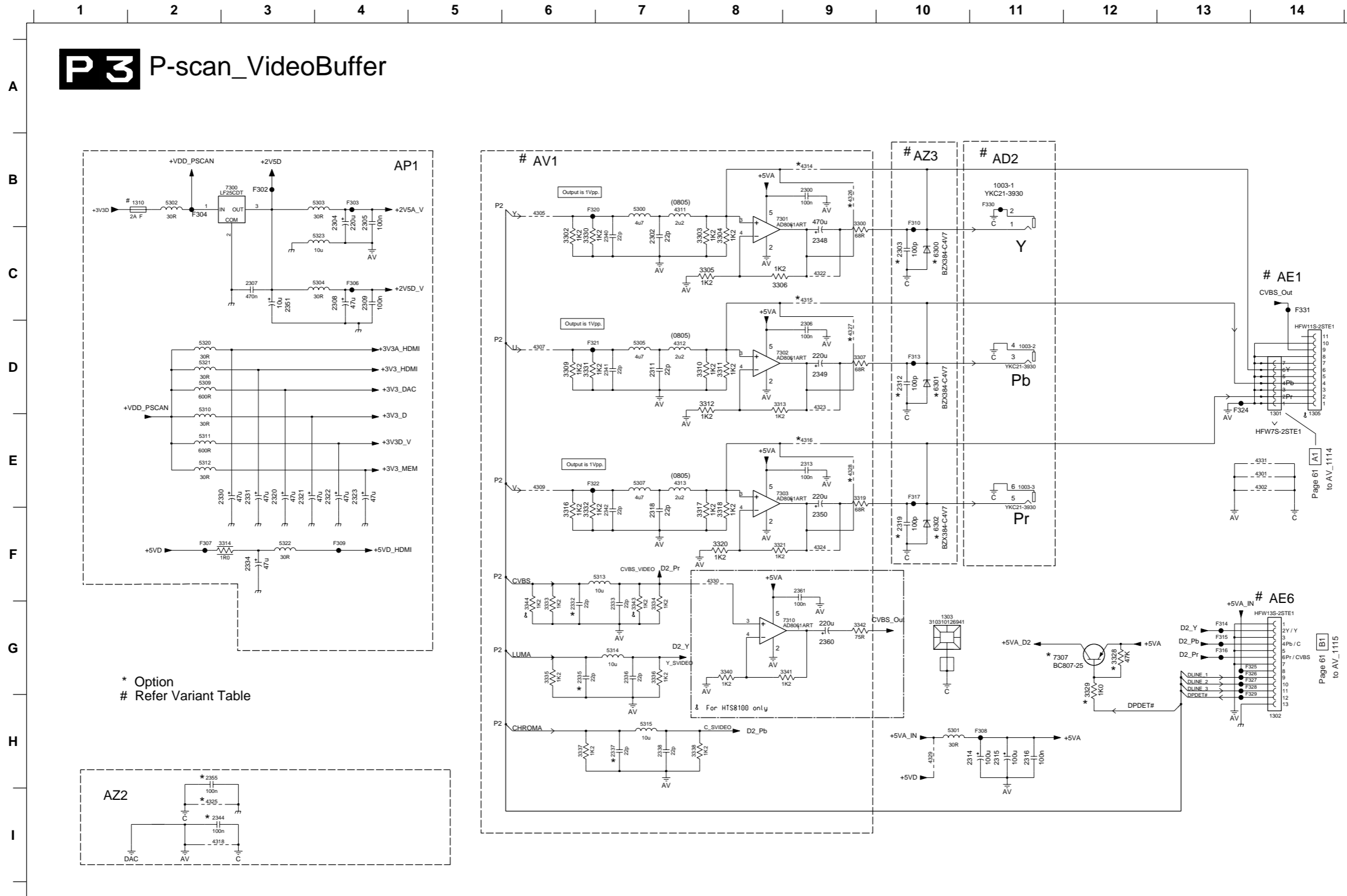
The first digit of a component indicates the component type.

1xxx : Connector    3xxx : Resistor    5xxx : Coil    7xxx : IC, Transistor, FET

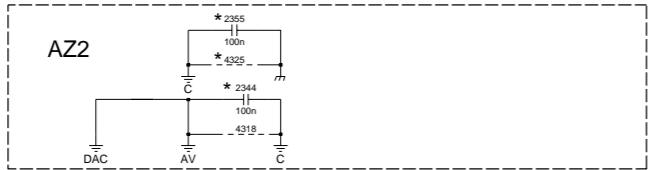
2xxx : Capacitor    4xxx : SMD jumper    6xxx : Diode    9xxx : Wire jumper

HDMI 3/4

DVR-1000



\* Option  
# Refer Variant Table



Ref Des	1003	1301	1302	1310	2302	2311	2340	2341	3302	3309	3330	3331	3303	3310	3304	3311	5300	5305	4311	4312	2348	2349	4322	4323
Variant	NOT USED	USED	USED	F 2A	22p	22p	22p	22p	150R	1K2	1K2	1K2	1K2	1K2	1K2	1K2	4u7	5307	4313	2350	USED	NOT USED	4324	
DV6001	NOT USED	USED	USED	JAPAN VER	1206 0R	22p	22p	22p	1K2	1K2	1K2	1K2	1K2	1K2	1K2	1K2	4u7	5307	4313	2350	USED	NOT USED	4324	

- 1003-1 B11
- 1003-2 D11
- 1003-3 E11
- 1301 D14
- 1302 H14
- 1303 G10
- 1305 D14
- 1310 B2
- 2300 B9
- 2302 C7
- 2303 C10
- 2304 B4
- 2305 B4
- 2306 D9
- 2307 C3
- 2308 C4
- 2309 C4
- 2311 D7
- 2312 D10
- 2313 E9
- 2314 H11
- 2315 H11
- 2316 H11
- 2318 F7
- 2319 F10
- 2320 E3
- 2321 E3
- 2322 E4
- 2323 E4
- 2330 E3
- 2331 E3
- 2332 G6
- 2333 G7
- 2334 F3
- 2335 G6
- 2336 G7
- 2337 H7
- 2338 H7
- 2340 C7
- 2341 D7
- 2342 F7
- 2344 I2
- 2348 C9
- 2349 D9
- 2350 F9
- 2351 C3
- 2355 H2
- 2360 G9
- 2361 F9
- 3000 B9
- 3002 C6
- 3003 C8
- 3004 C8
- 3005 C8
- 3006 C8
- 3007 D9
- 3009 D6
- 3010 D8
- 3011 D8
- 3012 D8
- 3013 D8
- 3014 F3
- 3016 F6
- 3017 F8
- 3018 F8
- 3019 E9
- 3020 F8
- 3021 F8
- 3028 G12
- 3029 G12
- 3030 C6
- 3031 D6
- 3032 D6
- 3033 F6
- 3034 G6
- 3035 G6
- 3036 G7
- 3037 H6
- 3038 H8
- 3040 G8
- 3041 G9
- 3042 G9
- 3043 G7
- 3044 G6
- 4301 E14
- 4302 E14
- 4305 B6
- 4307 D6
- 4309 E6
- 4311 B7
- 4312 D7
- 4313 E7
- 4314 B9
- 4315 C9
- 4316 E9
- 4318 I2
- 4322 C9
- 4323 D9
- 4324 F9
- 4325 I2
- 4326 B9
- 4327 D9
- 4328 E9
- 4329 H10
- 4330 F8
- 4331 E14
- 5000 B7
- 5001 H10
- 5302 B2
- 5303 B4
- 5304 C4
- 5305 D7
- 5307 E7
- 5309 D2
- 5310 D2
- 5311 E2
- 5312 E2
- 5313 F7
- 5314 G7
- 5315 H7
- 5320 D2
- 5321 D2
- 5322 F3
- 5323 C4
- 6300 C10
- 6301 D10
- 6302 F10
- 7300 B3
- 7301 B8
- 7302 D8
- 7303 E8
- 7307 G11
- 7310 G9
- F302 B3
- F303 B4
- F304 B2
- F306 C4
- F307 F2
- F308 H11
- F309 F4
- F310 B10
- F313 D10
- F314 G13
- F315 G13
- F316 G13
- F317 E10
- F320 B6
- F321 D6
- F322 E6
- F324 C13
- F325 G14
- F326 G14
- F327 G14
- F328 G14
- F329 G14
- F330 B11
- F331 C14

\* Components having special characteristics are marked  $\triangle$  and must be replaced with parts having specifications equal to those originally installed.  
\* Schematic diagram is subject to change without notice.

\*  $\triangle$ 印のある部品は、安全性確保部品を示しています。部品の交換が必要な場合、パーツリストに記載されている部品を使用してください。  
\* 本回路図は、標準回路図です。改良のため予告なく変更することがございます。

HDMI 4/4

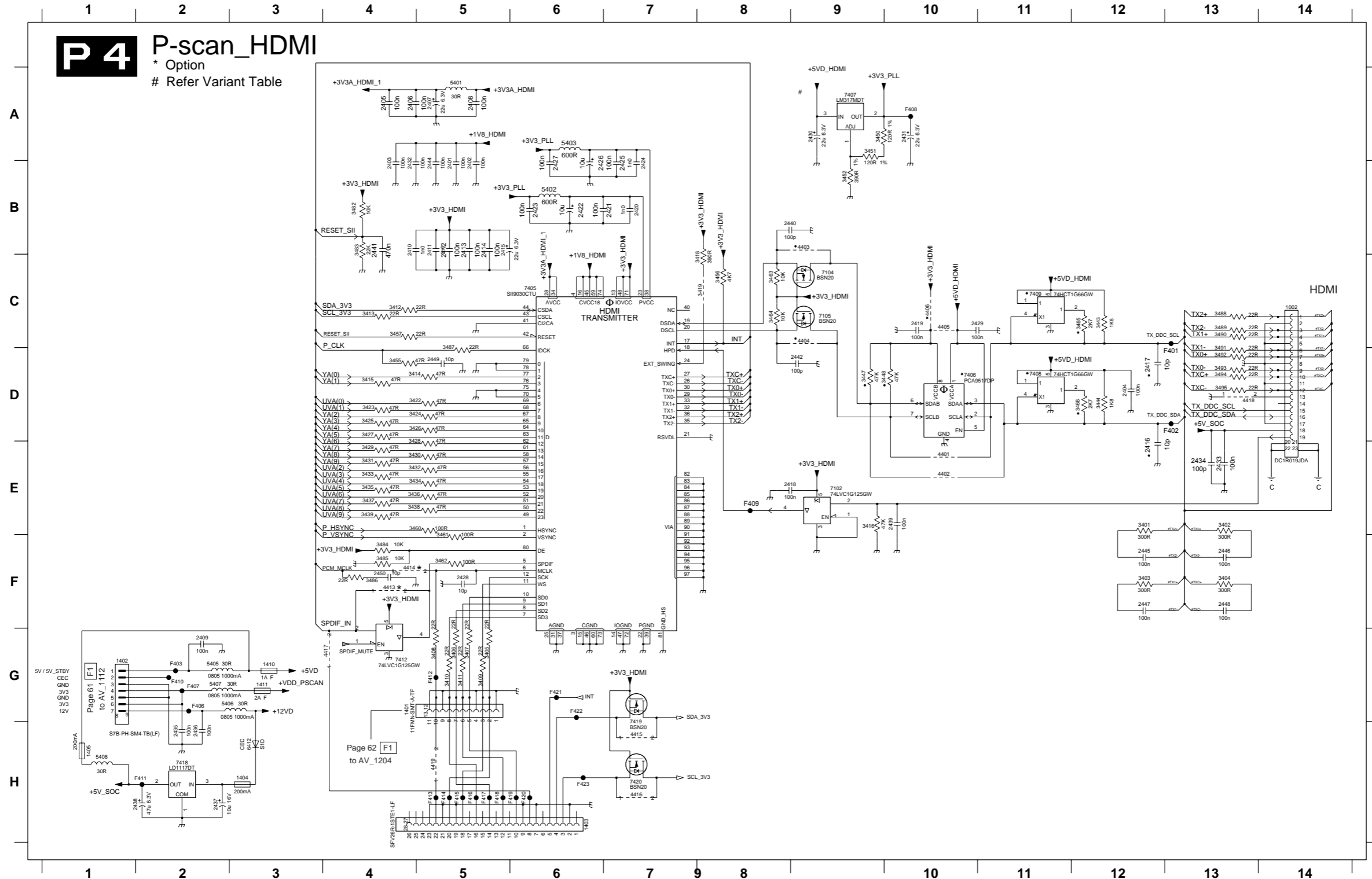
DVR-1000

The first digit of a component indicates the component type.

1xxx : Connector    3xxx : Resistor    5xxx : Coil    7xxx : IC, Transistor, FET

2xxx : Capacitor    4xxx : SMD jumper    6xxx : Diode    9xxx : Wire jumper

**P4** P-scan\_HDMI  
\* Option  
# Refer Variant Table



1002 C14	3464 C8
1401 G4	3465 C12
1402 G1	3466 D12
1403 H6	3482 B4
1404 H3	3483 B4
1405 H1	3484 F4
1410 G3	3485 F4
1411 G3	3486 F4
2401 B5	3487 D5
2402 B5	3488 C13
2403 B4	3489 C13
2404 D12	3490 C13
2405 A4	3491 D13
2406 A4	3492 D13
2407 A5	3493 D13
2408 A5	3494 D13
2409 G2	3495 D13
2410 B4	4401 E10
2411 B5	4402 E10
2412 B5	4403 B9
2413 B5	4404 C9
2414 B5	4405 C10
2415 B5	4406 C10
2416 E12	4413 F4
2417 D12	4414 F4
2418 E8	4415 H7
2419 C10	4416 H7
2420 B7	4417 G4
2421 B7	4418 D13
2422 B6	4419 H5
2423 B6	5401 A5
2424 B7	5402 B6
2425 B7	5403 A6
2426 B6	5405 G2
2427 B6	5406 G2
2428 F5	5407 G2
2429 C10	5408 H1
2430 A9	6412 H3
2431 A10	7102 E9
2432 B4	7104 C9
2433 E13	7105 C9
2434 E13	7405 C6
2435 H2	7406 D10
2436 H2	7407 A9
2437 H2	7408 D11
2438 H2	7409 C11
2439 E10	7412 G4
2440 B8	7418 H2
2441 B4	7419 H7
2442 D9	7420 H7
2444 B5	F401 D13
2445 F12	F402 D13
2446 F13	F403 G2
2447 F12	F406 G2
2448 F13	F407 G2
2449 D5	F408 A10
2450 F4	F409 E8
3401 E12	F410 G2
3402 E13	F411 H2
3403 F12	F412 G5
3404 F13	F413 H5
3405 G5	F414 H5
3406 G5	F415 H5
3407 G5	F416 H5
3408 G5	F417 H5
3409 G5	F418 H5
3410 G5	F419 H6
3411 G5	F420 H6
3412 C4	F421 G6
3413 C4	F422 G6
3414 D4	F423 H6
3415 D4	
3416 E9	
3418 C8	
3419 C8	
3422 D4	
3423 D4	
3424 D4	
3425 D4	
3426 D4	
3427 D4	
3429 E4	
3430 E4	
3431 E4	
3432 E4	
3433 E4	
3434 E4	
3435 E4	
3436 E4	
3437 E4	
3438 E4	
3439 E4	
3443 C12	
3444 D12	
3447 D9	
3448 D9	
3450 A9	
3451 A9	
3452 B9	
3455 D8	
3456 C8	
3457 C4	
3460 E4	
3461 F5	
3462 F5	
3463 C8	

Ref Des	1410	1411	3483	2441
Variant				
DV6001	F 1A	F 2A	22K	470n
	F 1A	F 2A	22K	470n

\* Components having special characteristics are marked  $\Delta$  and must be replaced with parts having specifications equal to those originally installed.  
\* Schematic diagram is subject to change without notice.

\*  $\Delta$ 印のある部品は、安全性確保部品を示しています。部品の交換が必要な場合、パーツリストに記載されている部品を使用してください。  
\* 本回路図は、標準回路図です。改良のため予告なく変更することがございます。

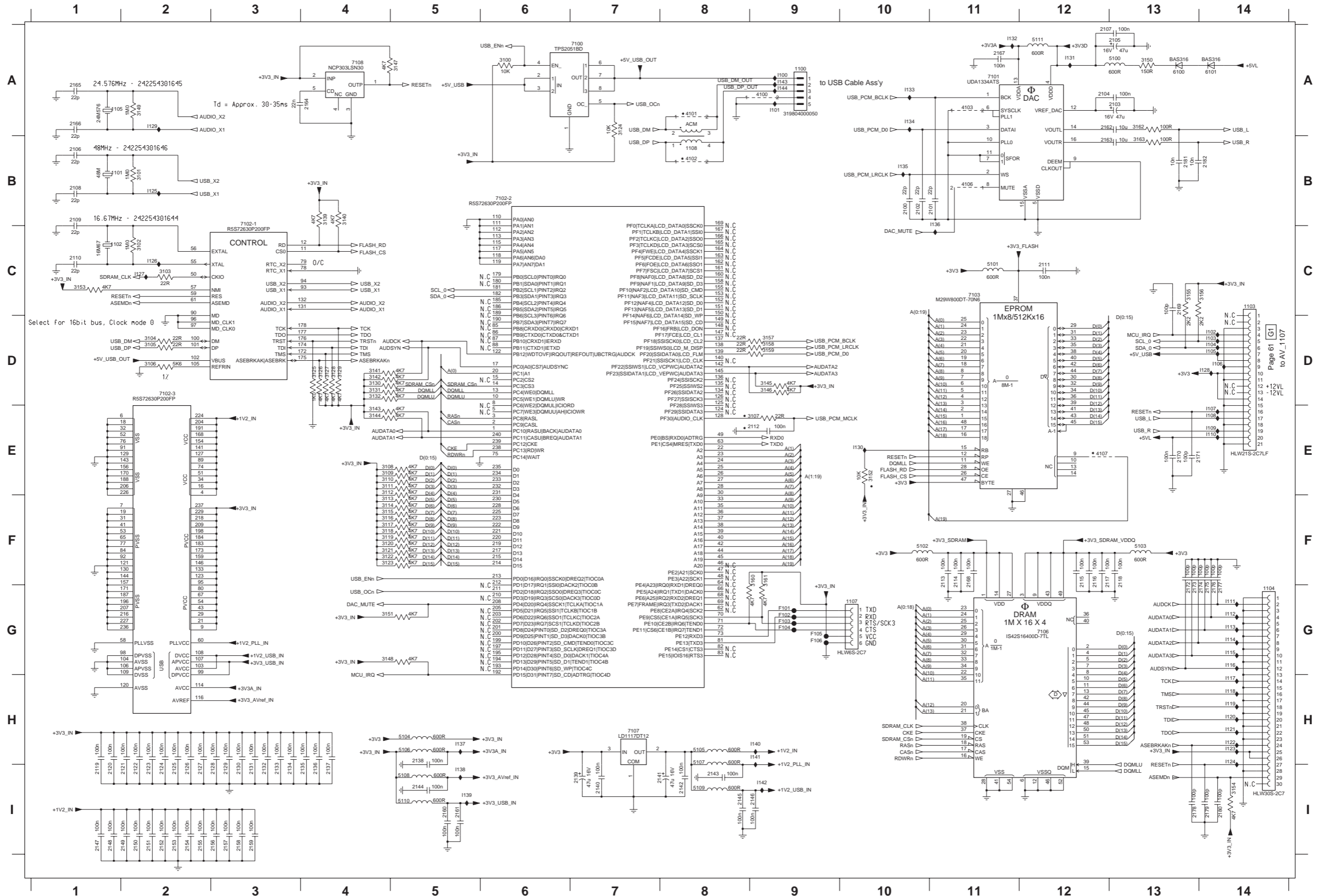
The first digit of a component indicates the component type.

1xxx : Connector    3xxx : Resistor    5xxx : Coil    7xxx : IC, Transistor, FET

2xxx : Capacitor    4xxx : SMD jumper    6xxx : Diode    9xxx : Wire jumper

USB

DVR-1000



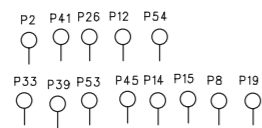
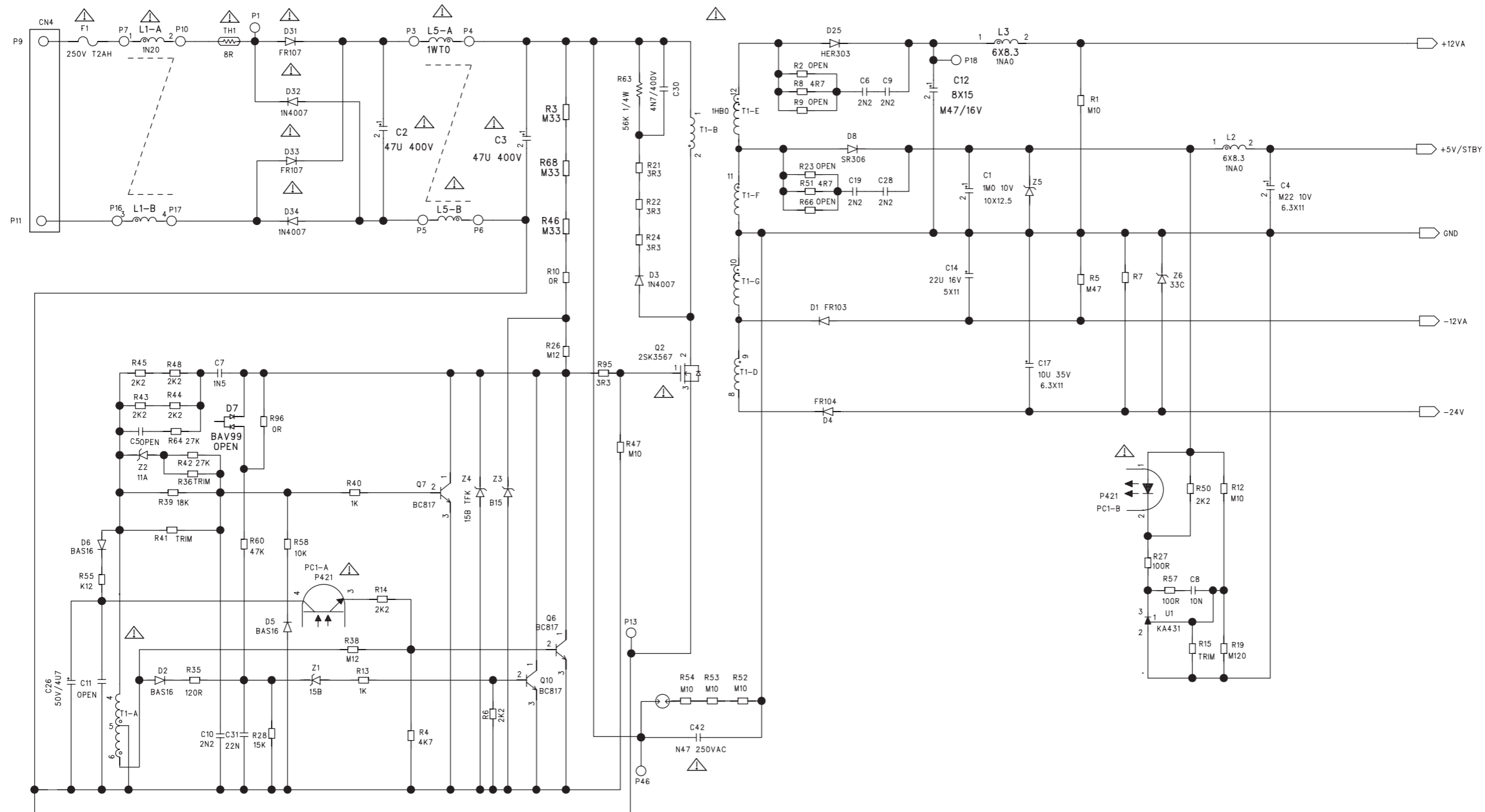
1100 A9	3122 F4
1101 B1	3123 F4
1102 C1	3124 A7
1103 C14	3125 D4
1104 G14	3126 D4
1105 A1	3127 D4
1107 G10	3128 D4
1108 B8	3129 D4
2100 B10	3130 D4
2101 B10	3131 D4
2102 B10	3132 D4
2103 A13	3133 B4
2104 A12	3134 B4
2105 A13	3141 D4
2106 B1	3142 D4
2107 A12	3143 E4
2108 B1	3144 E4
2109 B1	3145 D9
2110 C1	3146 D9
2111 C12	3147 A5
2112 E9	3148 G4
2113 F11	3149 A2
2114 F11	3150 A13
2115 F12	3151 G4
2116 F12	3152 E10
2117 F12	3153 C1
2118 F13	3154 H4
2119 I1	3155 C13
2120 B1	3156 H4
2121 I1	3157 D9
2122 I2	3158 D9
2123 I2	3159 D9
2124 I2	3160 F9
2125 I2	3161 F9
2126 I2	3162 A13
2127 I2	3163 B13
2128 I2	4100 A9
2129 I3	4101 A8
2130 I3	4102 B8
2131 I3	4103 A14
2132 I3	4106 B11
2133 I3	4107 E12
2134 I3	5100 A13
2135 I3	5101 C11
2136 I4	5102 F10
2137 I4	5103 F13
2138 H5	5104 H5
2139 I7	5105 H8
2140 I7	5106 H8
2141 H8	5107 H8
2142 H8	5108 I5
2143 H8	5109 I8
2144 I5	5110 I5
2145 I5	5111 A12
2146 I9	6100 A13
2147 I11	6101 A14
2148 I11	7100 A7
2149 I11	7101 A11
2150 I2	7102-1 C3
2151 I2	7102-2 B6
2152 I2	7102-3 D2
2153 I2	7103 C11
2154 I2	7106 G12
2155 I2	7107 H7
2156 I2	7108 A4
2157 I3	F101 G9
2158 I3	F102 G9
2159 I3	F103 G9
2160 I5	F104 G9
2161 I5	F105 G9
2162 A12	F106 G9
2163 A12	F100 A9
2164 A4	H101 A9
2165 A1	I102 D14
2166 A1	I103 D14
2167 A11	I104 D14
2168 F11	I105 D14
2169 C13	I106 D14
2170 E13	I107 E14
2171 E13	I108 E14
2172 G13	I109 E14
2173 G13	I110 E14
2174 G13	I111 G14
2175 G14	I112 G14
2176 G14	I113 G14
2177 G14	I114 G14
2178 H3	I115 G14
2179 H4	I116 G14
2180 H4	I117 H14
2181 B13	I118 H14
2182 B14	I119 H14
3100 A6	I120 H14
3101 B2	I121 H14
3102 C2	I122 H14
3103 C2	I123 H14
3104 D2	I124 H14
3105 D2	I125 B2
3106 D2	I126 C2
3107 E9	I127 C2
3108 E4	I128 D14
3109 E4	I129 A2
3110 E4	I130 E10
3111 E4	I131 A12
3112 E4	I132 A11
3113 F4	I133 A10
3114 F4	I134 A10
3115 F4	I135 B10
3116 F4	I136 B11
3117 F4	I137 H5
3118 F4	I138 I5
3119 F4	I139 I5
3120 F4	I140 H9
3121 F4	I141 H9

\* Components having special characteristics are marked  $\Delta$  and must be replaced with parts having specifications equal to those originally installed.  
 \* Schematic diagram is subject to change without notice.

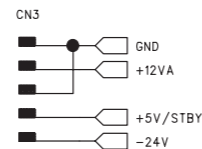
\*  $\Delta$ 印のある部品は、安全性確保部品を示しています。部品の交換が必要な場合、パーツリストに記載されている部品を使用してください。  
 \* 本回路図は、標準回路図です。改良のため予告なく変更することがございます。

**POWER SUPPLY UNIT**

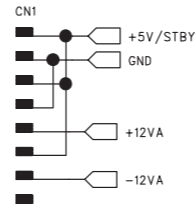
**DVR-1000**



Page 63 **A1**  
to FRONT (1)\_1105

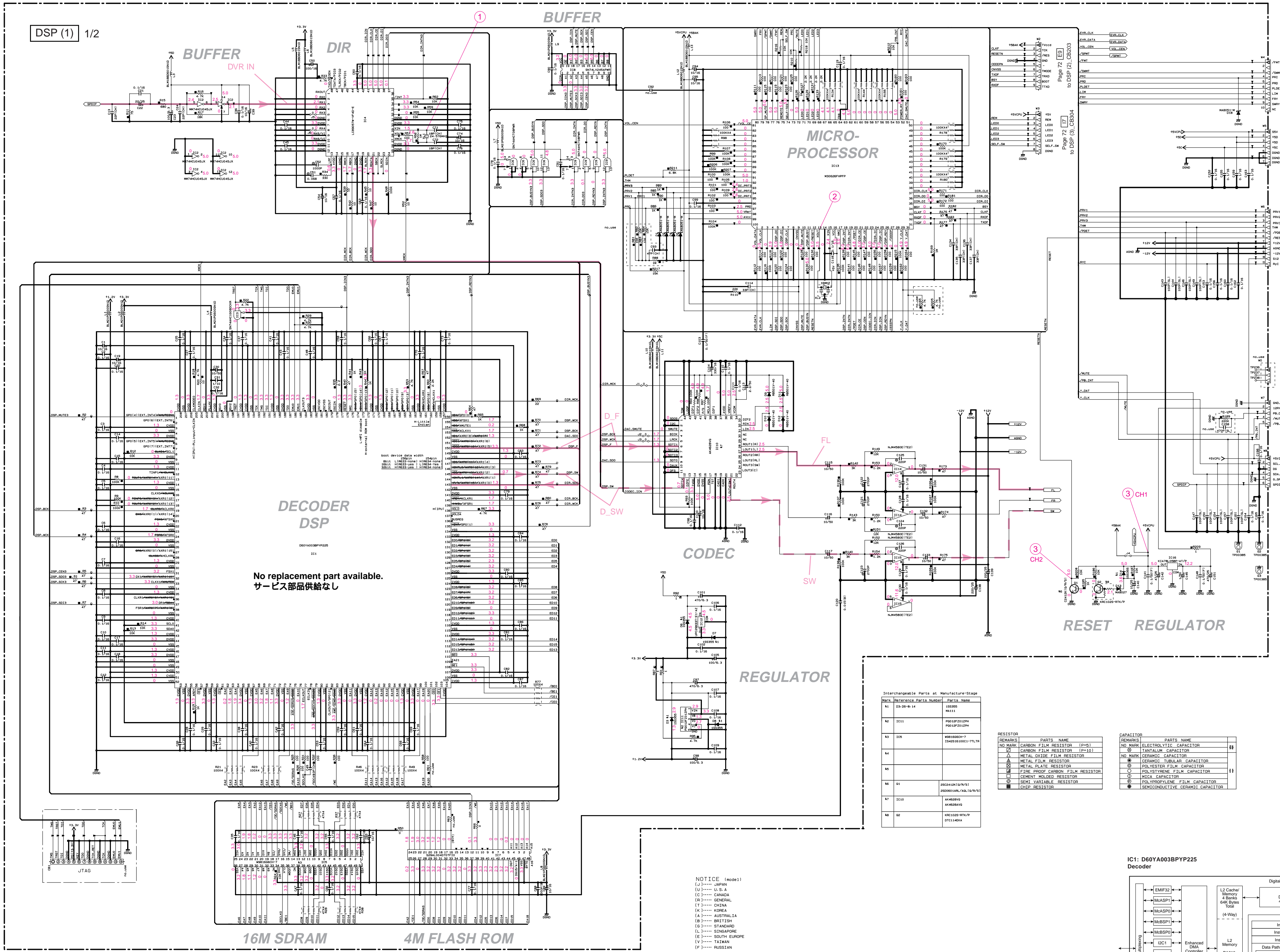


Page 61 **E1**  
to AV\_1111



\* Components having special characteristics are marked  $\triangle$  and must be replaced with parts having specifications equal to those originally installed.  
\* Schematic diagram is subject to change without notice.

\*  $\triangle$ 印のある部品は、安全性確保部品を示しています。部品の交換が必要な場合、パーツリストに記載されている部品を使用してください。  
\* 本回路図は、標準回路図です。改良のため予告なく変更することがございます。



No replacement part available.  
サービス部品供給なし

Interchangeable Parts at Manufacture Stage

Part No.	Reference Part No.	Part Name
11	D3-D6-B-14	15030
12	IC1	PA31P2120H PA31P2120H
13	IC2	W9816G6CH-7 512Kx2 Banksx16 Bits
14	IC3	6821ALX15/P-1
15	IC4	AM4628V AM4628V
16	IC5	W9816G6CH-7 512Kx2 Banksx16 Bits
17	IC6	W9816G6CH-7 512Kx2 Banksx16 Bits
18	IC7	W9816G6CH-7 512Kx2 Banksx16 Bits

RESISTOR PARTS NAME

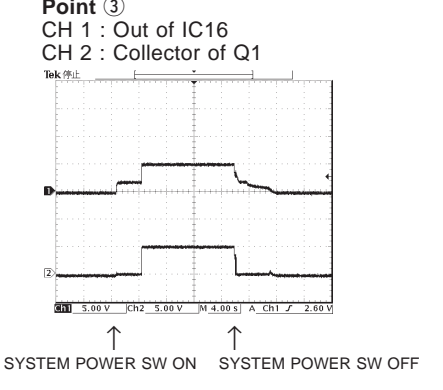
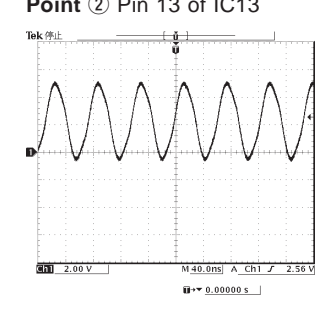
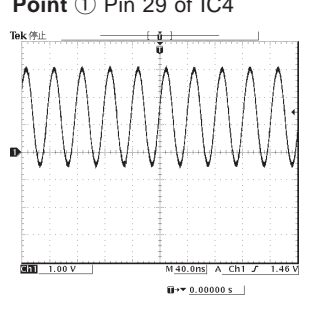
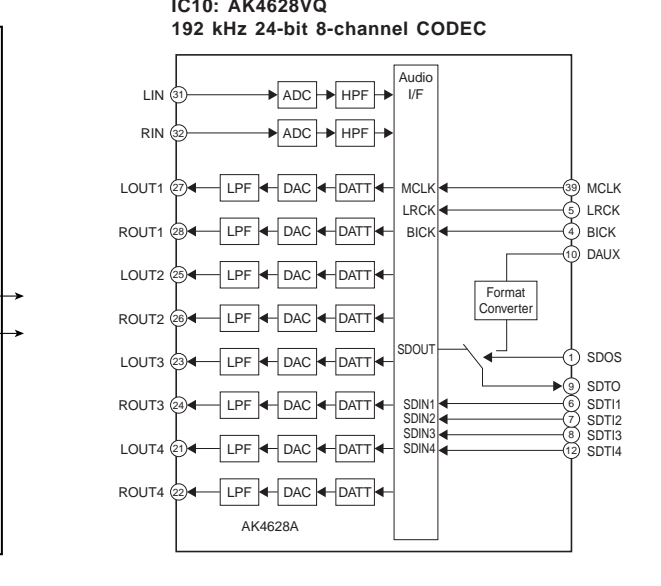
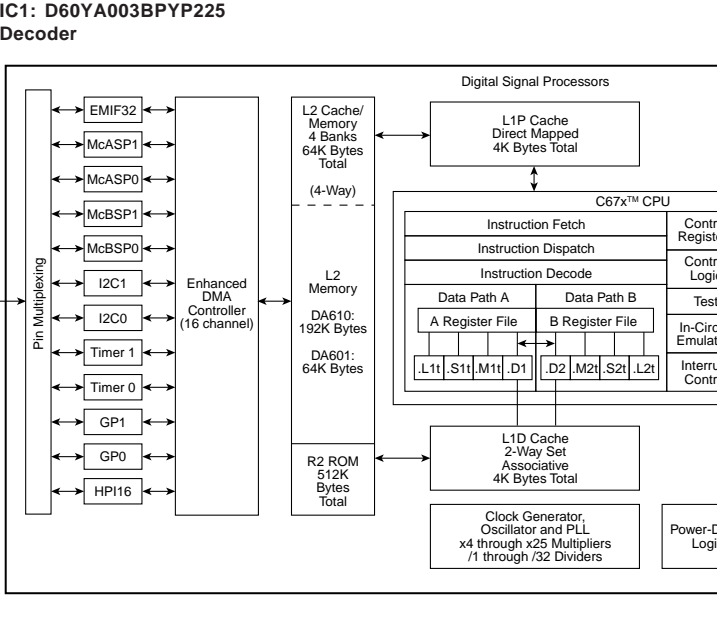
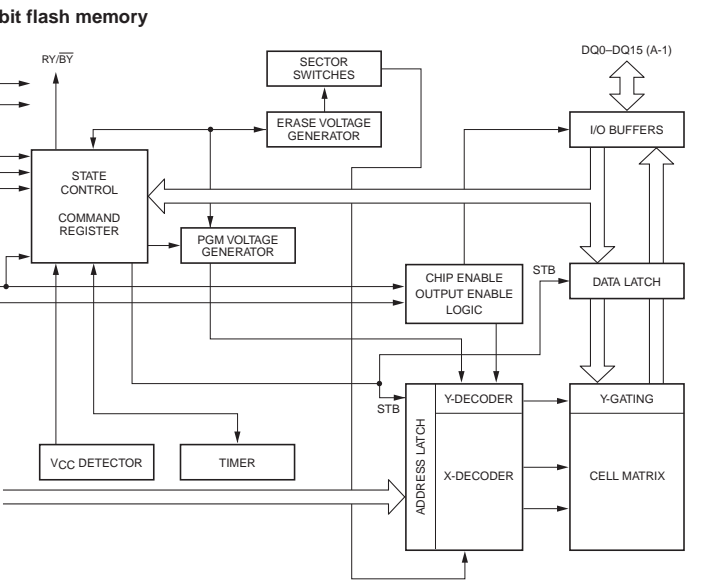
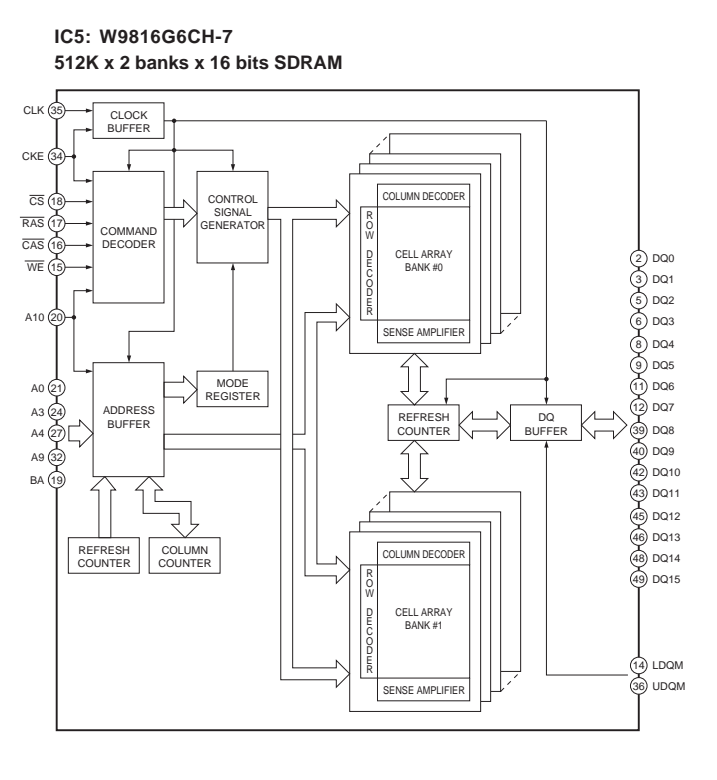
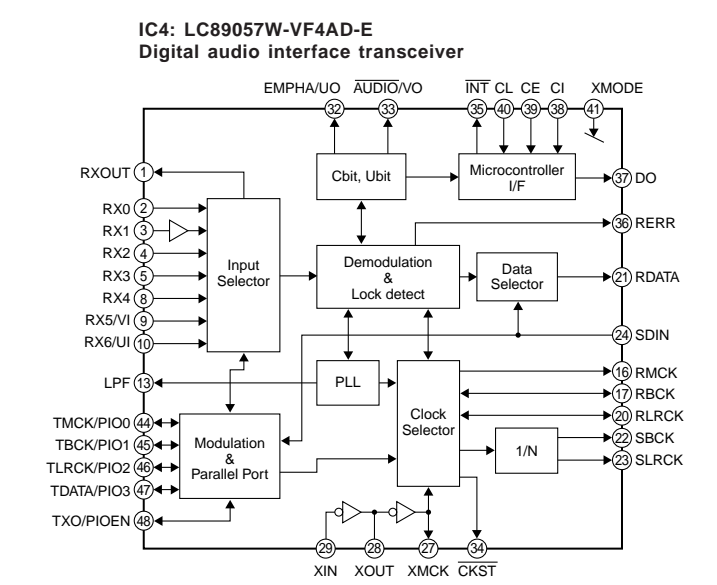
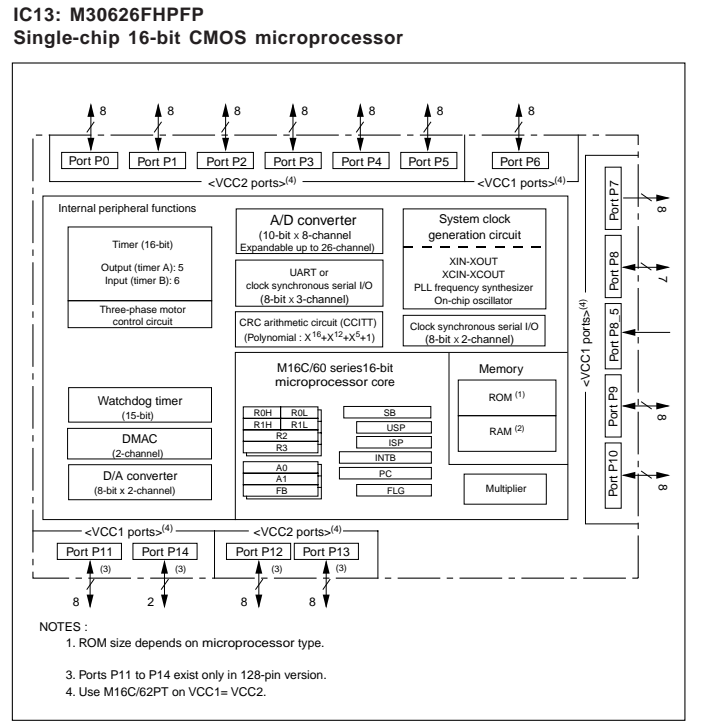
RESISTOR	PARTS NAME
□	CARBON FILM RESISTOR (P=5)
△	METAL OXIDE FILM RESISTOR (P=10)
▲	METAL OXIDE FILM RESISTOR
■	METAL PLATE RESISTOR
○	FILM PROOF CARBON FILM RESISTOR
◇	CEMENT MOUNTED RESISTOR
●	TEMP. VARIABLE RESISTOR
◎	CHIP RESISTOR

CAPACITOR PARTS NAME

CAPACITOR	PARTS NAME
□	NO. MARK ELECTROLYTIC CAPACITOR
○	TANTALUM CAPACITOR
△	NO. MARK CERAMIC CAPACITOR
▲	CERAMIC TUBULAR CAPACITOR
■	METAL PLATE RESISTOR
◇	POLYESTER FILM CAPACITOR
●	POLYPROPYLENE FILM CAPACITOR
◎	MICA CAPACITOR
○	SEMICONDUCTIVE CERAMIC CAPACITOR

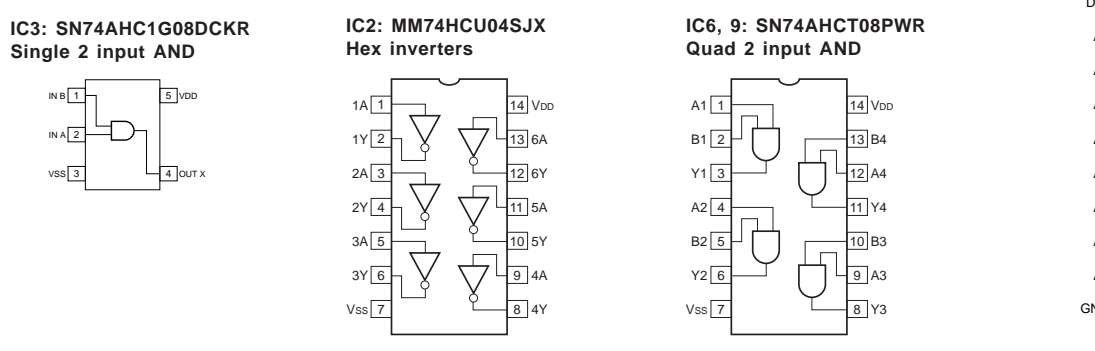
NOTICE (mode1)

(J) ..... JAPAN  
(U) ..... U.S.A  
(C) ..... CANADA  
(R) ..... GENERAL  
(T) ..... CHINA  
(K) ..... KOREA  
(A) ..... AUSTRALIA  
(B) ..... BRITAIN  
(G) ..... STANDARD  
(L) ..... SINGAPORE  
(E) ..... SOUTH EUROPE  
(V) ..... TAIWAN  
(F) ..... RUSSIAN



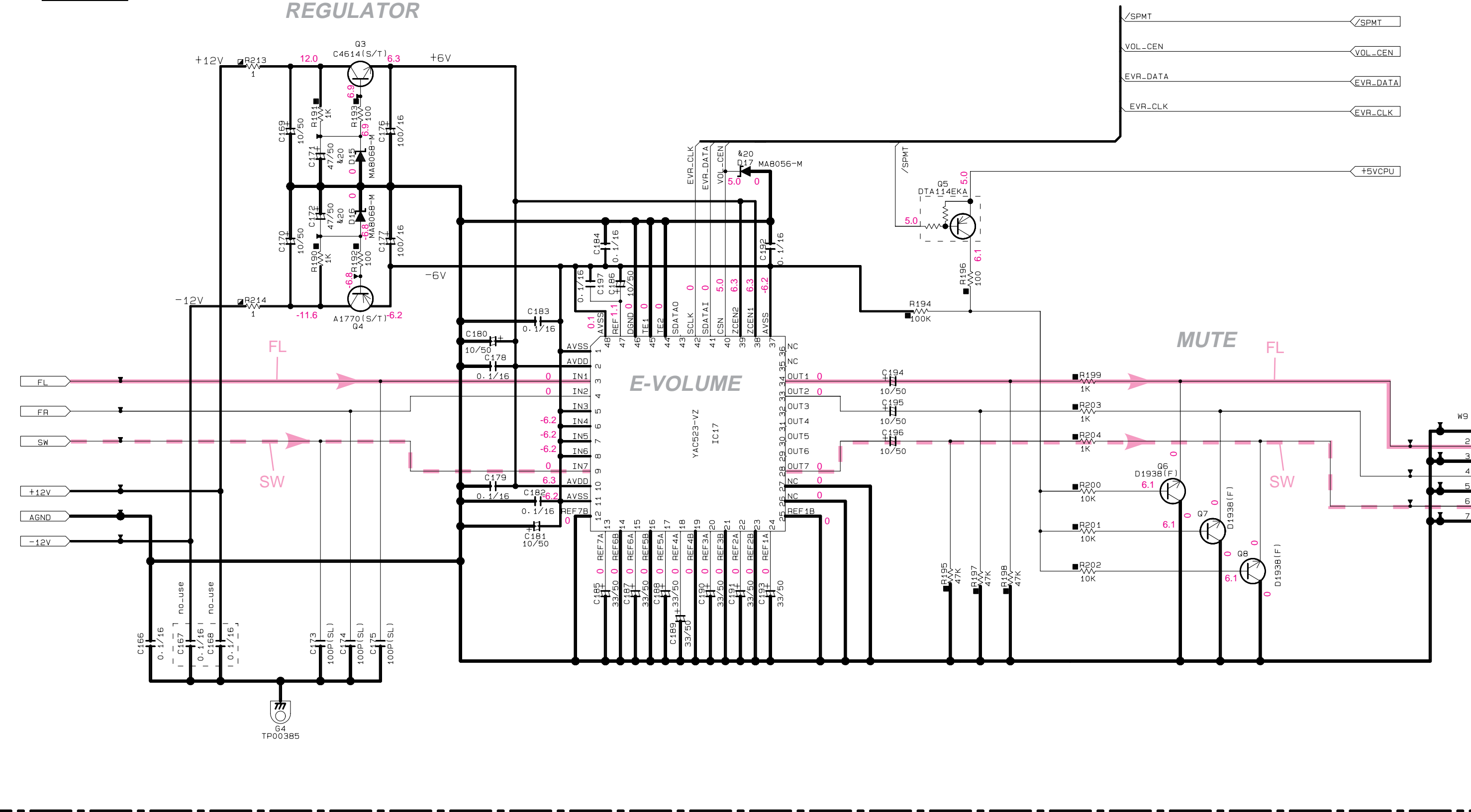
All voltages are measured with a 10MΩ/V DC electronic volt meter.  
Components having special characteristics are marked with a triangle and must be replaced with parts having specifications equal to those originally installed.  
Schematic diagram is subject to change without notice.

電圧は、内部抵抗10MΩの電圧計で測定したものです。  
△印のある部品は、安全性確保部品を示しています。部品の交換が必要な場合、パーツリストに記載されている部品を使用してください。  
本回路図は、標準回路図です。改良のため予告なく変更することがございます。



DSP (1) 2/2

REGULATOR



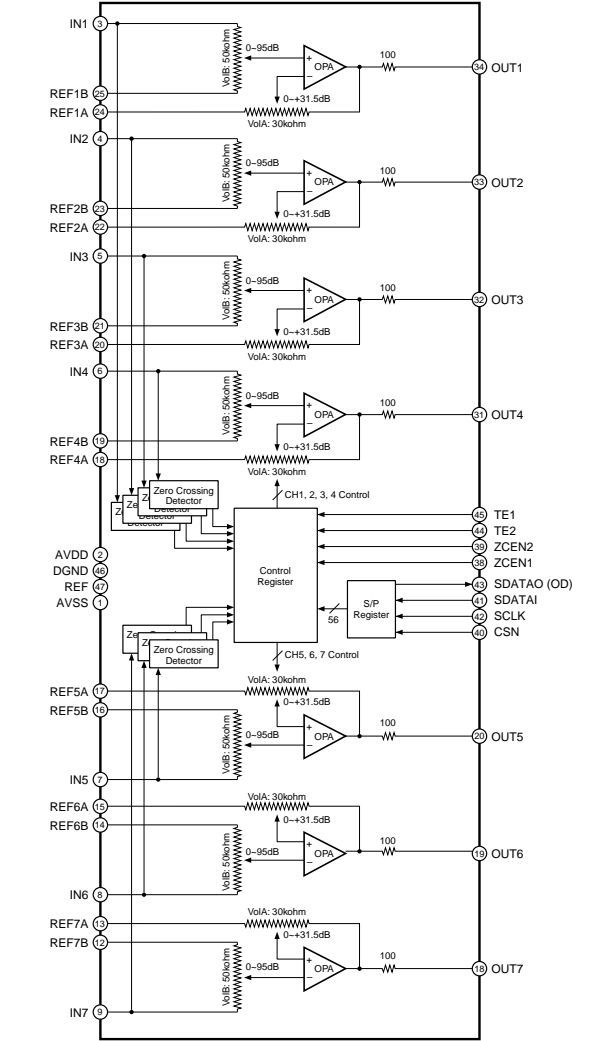
REMARKS	PARTS NAME
NO MARK	CARBON FILM RESISTOR (P=5)
☑	CARBON FILM RESISTOR (P=10)
△	METAL OXIDE FILM RESISTOR
▲	METAL FILM RESISTOR
☒	METAL PLATE RESISTOR
⊠	FIRE PROOF CARBON FILM RESISTOR
□	CEMENT MOLDED RESISTOR
⊕	SEMI VARIABLE RESISTOR
■	CHIP RESISTOR

REMARKS	PARTS NAME
NO MARK	ELECTROLYTIC CAPACITOR
⊗	TANTALUM CAPACITOR
NO MARK	CERAMIC CAPACITOR
⊙	CERAMIC TUBULAR CAPACITOR
⊚	POLYESTER FILM CAPACITOR
○	POLYSTYRENE FILM CAPACITOR
⊖	MICA CAPACITOR
⊕	POLYPROPYLENE FILM CAPACITOR
⊗	SEMICONDUCTIVE CERAMIC CAPACITOR

NOTICE (model)  
 (J)..... JAPAN  
 (U)..... U. S. A  
 (C)..... CANADA  
 (R)..... GENERAL  
 (T)..... CHINA  
 (K)..... KOREA  
 (A)..... AUSTRALIA  
 (B)..... BRITISH  
 (G)..... STANDARD  
 (L)..... SINGAPORE  
 (E)..... SOUTH EUROPE  
 (V)..... TAIWAN  
 (F)..... RUSSIAN

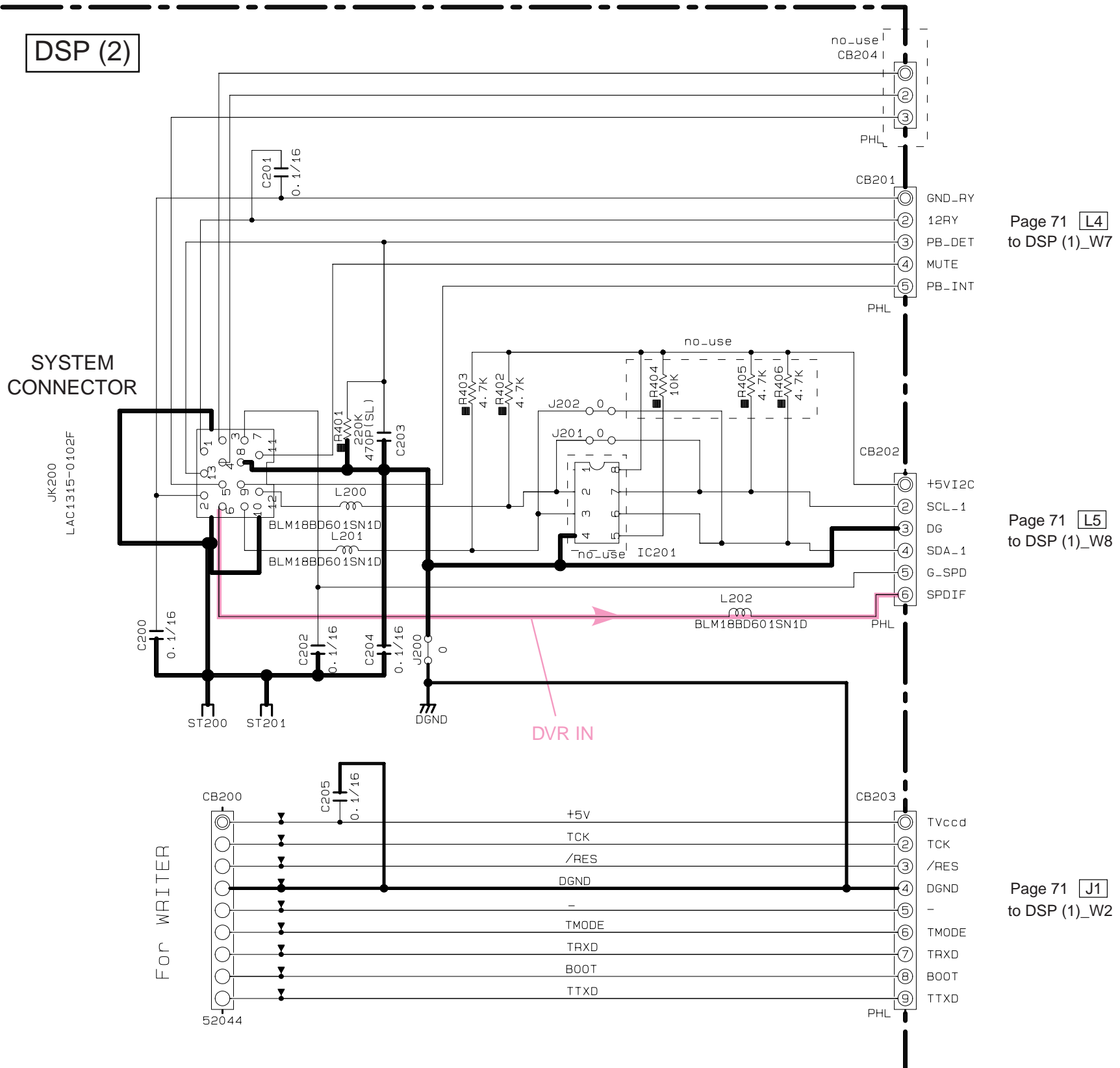
IC17: YAC523-VZ

Digital volume



Page 73 A4 to MAIN (1)\_CB1

DSP (2)

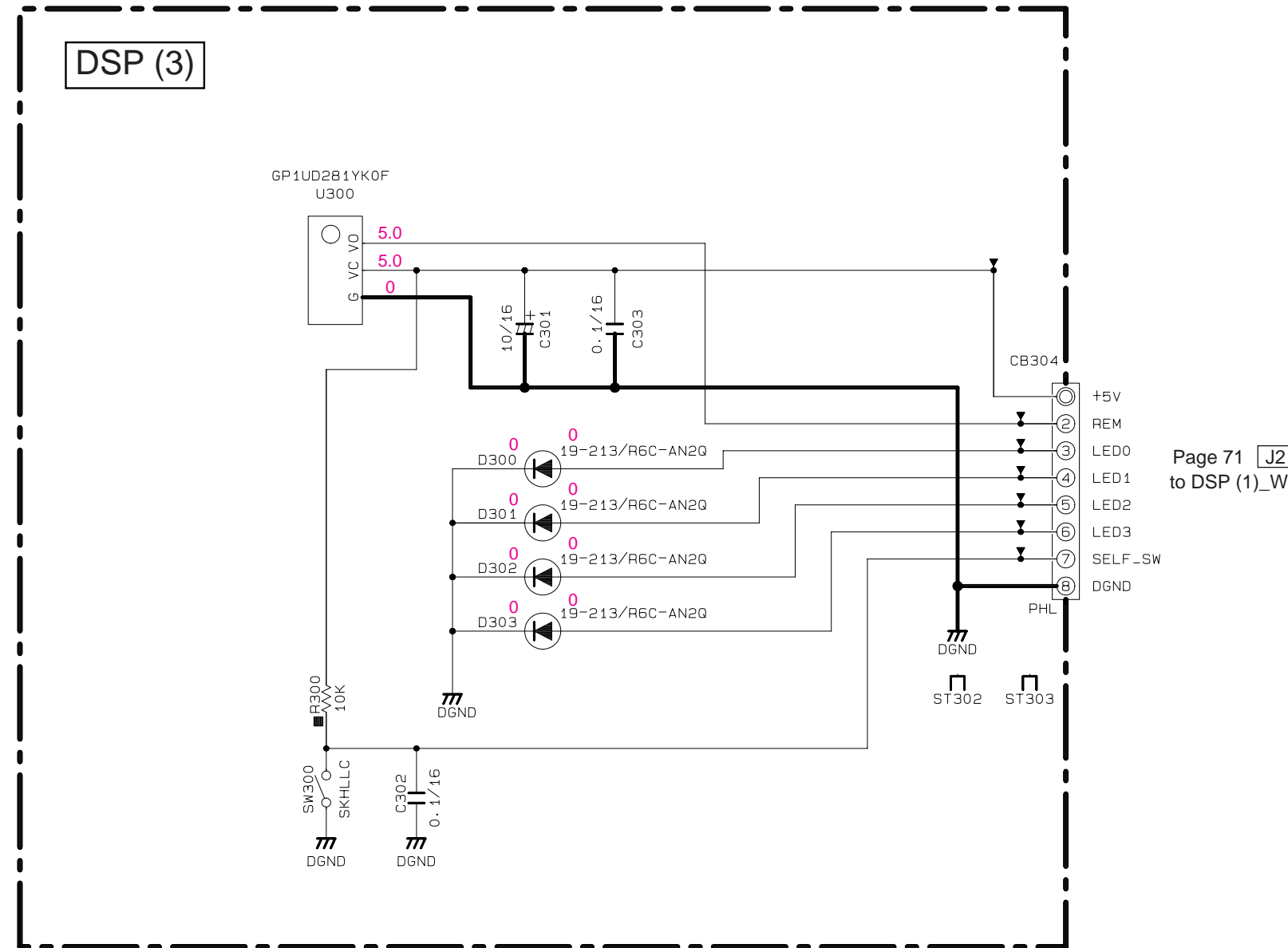


Page 71 L4 to DSP (1)\_W7

Page 71 L5 to DSP (1)\_W8

Page 71 J1 to DSP (1)\_W2

DSP (3)



Page 71 J2 to DSP (1)\_W3

\* All voltages are measured with a 10MΩ/V DC electronic volt meter.  
 \* Components having special characteristics are marked △ and must be replaced with parts having specifications equal to those originally installed.  
 \* Schematic diagram is subject to change without notice.

\* 電圧は、内部抵抗10MΩの電圧計で測定したものです。  
 \* △印のある部品は、安全性確保部品を示しています。部品の交換が必要な場合、パーツリストに記載されている部品を使用してください。  
 \* 本回路図は、標準回路図です。改良のため予告なく変更することがございます。

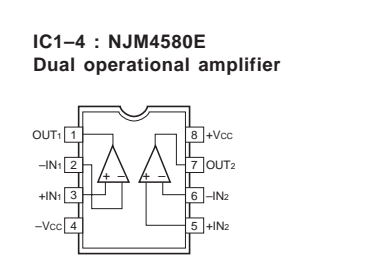
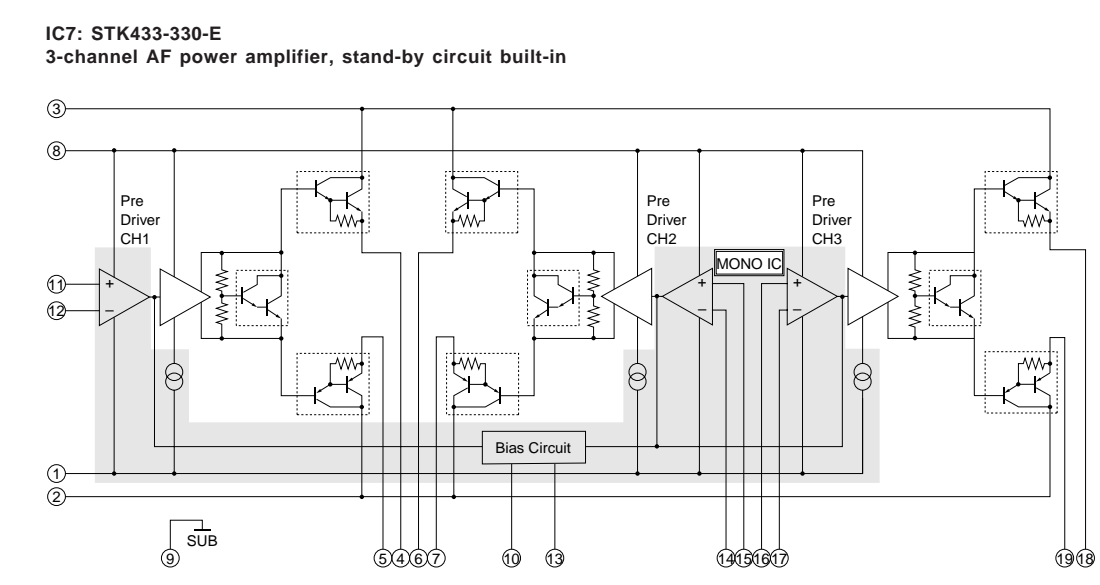
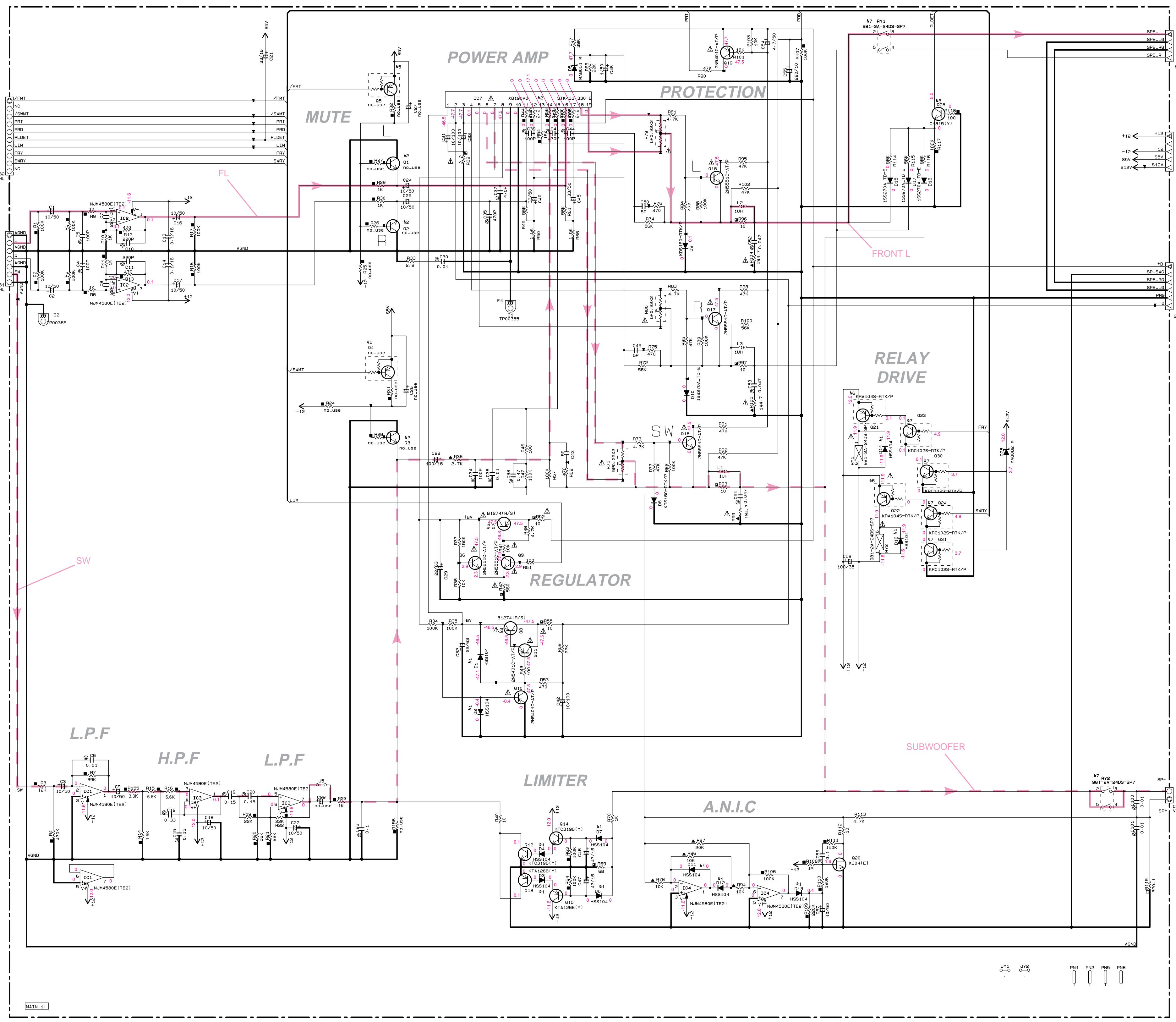


NOTICE (model)  
 (J)..... JAPAN  
 (U)..... U.S.A  
 (C)..... CANADA  
 (R)..... GENERAL  
 (T)..... CHINA  
 (K)..... KOREA  
 (A)..... AUSTRALIA  
 (B)..... BRITISH  
 (L)..... SINGAPORE  
 (E)..... SOUTH EUROPE  
 (V)..... TAIWAN  
 (F)..... RUSSIAN

REMARKS	PARTS NAME
NO MARK	CARBON FILM RESISTOR (P=5)
□	CARBON FILM RESISTOR (P=10)
△	METAL OXIDE FILM RESISTOR
▲	METAL FILM RESISTOR
▢	METAL PLATE RESISTOR
⊠	FIRE PROOF CARBON FILM RESISTOR
⊞	CEMENT MOLDED RESISTOR
⊚	SEMI VARIABLE RESISTOR
■	CHIP RESISTOR

REMARKS	PARTS NAME
NO MARK	ELECTROLYTIC CAPACITOR
⊖	TANTALUM CAPACITOR
⊙	CERAMIC TUBULAR CAPACITOR
⊕	POLYESTER FILM CAPACITOR
○	POLYSTYRENE FILM CAPACITOR
⊖	MICA CAPACITOR
⊕	POLYPROPYLENE FILM CAPACITOR
⊙	SEMICONDUCTIVE CERAMIC CAPACITOR
⊖	POLYPHENYLENE SULFIDE FILM CAPACITOR

Mark	Reference Parts Number	Parts Name
k1	D1-4-6-7-11-14-16	HSS104 1SS133 1SS176
k2	IC7	STK433-330-E STK433-330Y-E
k3	07-8	2SB1274(R/S) 2SB1565(E/F) KT1046-Y-U/P
k4		
k5		
k6	Q21-22	KRA1045-RTK/P DTA144EK4
k7	Q23-24-30-31	KRC1025-RTK/P DTC114EK4
k8	Q25	2SC1815(Y) KTC3198 Y-AT



\* All voltages are measured with a 10MΩ/V DC electronic volt meter.  
 \* Components having special characteristics are marked △, and must be replaced with parts having specifications equal to those originally installed.  
 \* Schematic diagram is subject to change without notice.

\* 電圧は、内部抵抗10MΩの電圧計で測定したものです。  
 \* △印のある部品は、安全性確保部品を示しています。部品の交換が必要な場合、パーツリストに記載されている部品を使用してください。  
 \* 本回路図は、標準回路図です。改良のため予告なく変更することがございます。



## ■ REPLACEMENT PARTS LIST

### ● ELECTRICAL COMPONENT PARTS

#### WARNING

- Components having special characteristics are marked  $\triangle$  and must be replaced with parts having specifications equal to those originally installed.
- The chip resistor is not supplied as a replacement part.  
\* When a chip resistor is necessary, use the following part.  
AAX60720: CHIP RESISTOR SAMPLE BOOK
- $\triangle$ 印のある部分は、安全確保部品を示しています。部品の交換が必要な場合、パーツリストに記載されている部品を使用してください。
- チップ抵抗はサービス部品として供給しません。  
チップ抵抗が必要な場合は、下記の部品をご利用ください。  
AAX60720: CHIP RESISTOR SAMPLE BOOK
- 部品価格ランクは、予告なく変更することがあります。

#### ABBREVIATIONS IN THIS LIST ARE AS FOLLOWS :

C.A.EL.CHP	: CHIP ALUMI. ELECTROLYTIC CAP	L.EMIT	: LIGHT EMITTING MODULE
C.CE	: CERAMIC CAP	LED.DSPLY	: LED DISPLAY
C.CE.ARRAY	: CERAMIC CAP ARRAY	LED.INFRD	: LED, INFRARED
C.CE.CHP	: CHIP CERAMIC CAP	MODUL.RF	: MODULATOR, RF
C.CE.ML	: MULTILAYER CERAMIC CAP	PHOT.CPL	: PHOTO COUPLER
C.CE.M.CHP	: CHIP MULTILAYER CERAMIC CAP	PHOT.INTR	: PHOTO INTERRUPTER
C.CE.SAFTY	: RECOGNIZED CERAMIC CAP	PHOT.RFLCT	: PHOTO REFLECTOR
C.CE.TUBLR	: CERAMIC TUBULAR CAP	PIN.TEST	: PIN, TEST POINT
C.CE.SMI	: SEMI CONDUCTIVE CERAMIC CAP	PLST.RIVET	: PLASTIC RIVET
C.EL	: ELECTROLYTIC CAP	R.ARRAY	: RESISTOR ARRAY
C.MICA	: MICA CAP	R.CAR	: CARBON RESISTOR
C.ML.FLM	: MULTILAYER FILM CAP	R.CAR.CHP	: CHIP RESISTOR
C.MP	: METALLIZED PAPER CAP	R.CAR.FP	: FLAME PROOF CARBON RESISTOR
C.MYLAR	: MYLAR FILM CAP	R.CEMENT	: CEMENT RESISTOR
C.MYLAR.ML	: MULTILAYER MYLAR FILM CAP	R.FUS	: FUSABLE RESISTOR
C.PAPER	: PAPER CAPACITOR	R.MTL.CHP	: CHIP METAL FILM RESISTOR
C.PLS	: POLYSTYRENE FILM CAP	R.MTL.FLM	: METAL FILM RESISTOR
C.POL	: POLYESTER FILM CAP	R.MTL.OXD	: METAL OXIDE FILM RESISTOR
C.POLY	: POLYETHYLENE FILM CAP	R.MTL.PLAT	: METAL PLATE RESISTOR
C.PP	: POLYPROPYLENE FILM CAP	RSNR.CE	: CERAMIC RESONATOR
C.TNTL	: TANTALUM CAP	RSNR.CRYS	: CRYSTAL RESONATOR
C.TNTL.CHP	: CHIP TANTALUM CAP	R.TW.CEM	: TWIN CEMENT FIXED RESISTOR
C.TRIM	: TRIMMER CAP	SCR.BND.HD	: BIND HEAD B-TITE SCREW
CN	: CONNECTOR	SCR.BW.HD	: BW HEAD TAPPING SCREW
CN.BS.PIN	: CONNECTOR, BASE PIN	SCR.CUP	: CUP TITE SCREW
CN.CANNON	: CONNECTOR, CANNON	SCR.TERM	: SCREW TERMINAL
CN.DIN	: CONNECTOR, DIN	SCR.TR	: SCREW, TRANSISTOR
CN.FLAT	: CONNECTOR, FLAT CABLE	SUPRT.PCB	: SUPPORT, P.C.B.
CN.POST	: CONNECTOR, BASE POST	SURG.PRTCT	: SURGE PROTECTOR
COIL.MX.AM	: COIL, AM MIX	SW.TACT	: TACT SWITCH
COIL.AT.FM	: COIL, FM ANTENNA	SW.LEAF	: LEAF SWITCH
COIL.DT.FM	: COIL, FM DETECT	SW.LEVER	: LEVER SWITCH
COIL.MX.FM	: COIL, FM MIX	SW.MICRO	: MICRO SWITCH
COIL.OUTPT	: OUTPUT COIL	SW.PUSH	: PUSH SWITCH
DIOD.ARRAY	: DIODE ARRAY	SW.RT.ENC	: ROTARY ENCODER
DIODE.BRG	: DIODE BRIDGE	SW.RT.MTR	: ROTARY SWITCH WITH MOTOR
DIODE.CHP	: CHIP DIODE	SW.RT	: ROTARY SWITCH
DIODE.VAR	: VARACTOR DIODE	SW.SLIDE	: SLIDE SWITCH
DIOD.Z.CHP	: CHIP ZENER DIODE	TERM.SP	: SPEAKER TERMINAL
DIODE.ZENR	: ZENER DIODE	TERM.WRAP	: WRAPPING TERMINAL
DSCR.CE	: CERAMIC DISCRIMINATOR	THRMST.CHP	: CHIP THERMISTOR
FER.BEAD	: FERRITE BEADS	TR.CHP	: CHIP TRANSISTOR
FER.CORE	: FERRITE CORE	TR.DGT	: DIGITAL TRANSISTOR
FET.CHP	: CHIP FET	TR.DGT.CHP	: CHIP DIGITAL TRANSISTOR
FL.DSPLY	: FLUORESCENT DISPLAY	TRANS	: TRANSFORMER
FLTR.CE	: CERAMIC FILTER	TRANS.PULS	: PULSE TRANSFORMER
FLTR.COMB	: COMB FILTER MODULE	TRANS.PWR	: POWER TRANSFORMER ASS'y
FLTR.LC.RF	: LC FILTER, EMI	TUNER.AM	: TUNER PACK, AM
GND.MTL	: GROUND PLATE	TUNER.FM	: TUNER PACK, FM
GND.TERM	: GROUND TERMINAL	TUNER.PK	: FRONT-END TUNER PACK
HOLDER.FUS	: FUSE HOLDER	VR	: ROTARY POTENTIOMETER
IC.PRTCT	: IC PROTECTOR	VR.MTR	: POTENTIOMETER WITH MOTOR
JUMPER.CN	: JUMPER CONNECTOR	VR.SW	: POTENTIOMETER WITH ROTARY SW
JUMPER.TST	: JUMPER, TEST POINT	VR.SLIDE	: SLIDE POTENTIOMETER
L.DTCT	: LIGHT DETECTING MODULE	VR.TRIM	: TRIMMER POTENTIOMETER

## NX-SW1000

## P.C.B. DSP

Ref No.	Part No.	Description	Remarks	Markets	部品名	ランク
*	WM892700	P.C.B.	DSP		P C B D S P	
CB200	VQ044400	CN.BS.PIN	9P		F F C コネクタ	01
CB201	VB858400	CN.BS.PIN	5P		ベースピン	01
CB202	VB858500	CN.BS.PIN	6P		ベースピン	01
CB203	VB858800	CN.BS.PIN	9P		ベースピン	01
CB304	VB858700	CN.BS.PIN	8P		ベースピン	01
C1	UR837100	C.EL	10uF 16V		ケミコン	01
C2-12	US135100	C.CE.CHP	0.1uF 16V		チップセラコン	01
C13	US061220	C.CE.CHP	22pF 50V B		チップセラコン	01
C14-18	US135100	C.CE.CHP	0.1uF 16V		チップセラコン	01
C19	UR837100	C.EL	10uF 16V		ケミコン	01
C20	US135100	C.CE.CHP	0.1uF 16V		チップセラコン	01
C21	US035100	C.CE.CHP	0.1uF 16V B		チップセラコン	01
C22	UR847220	C.EL	22uF 25V		ケミコン	01
C23	UR818100	C.EL	100uF 6.3V		ケミコン	01
C24	US061220	C.CE.CHP	22pF 50V B		チップセラコン	01
C25-29	US135100	C.CE.CHP	0.1uF 16V		チップセラコン	01
C30	UU267100	C.EL	10uF 50V		ケミコン F W	01
C31	US126100	C.CE.CHP	1uF 10V		チップセラコン	01
C32-35	US135100	C.CE.CHP	0.1uF 16V		チップセラコン	01
C36	US035100	C.CE.CHP	0.1uF 16V B		チップセラコン	01
C37-38	US135100	C.CE.CHP	0.1uF 16V		チップセラコン	01
C39	UR837100	C.EL	10uF 16V		ケミコン	01
C40-48	US135100	C.CE.CHP	0.1uF 16V		チップセラコン	01
C49	US061100	C.CE.CHP	10pF 50V B		チップセラコン	01
C50	UR838100	C.EL	100uF 16V		ケミコン	01
C51	UA654680	C.MYLAR	0.068uF 50V J		マイラーコン	02
C52	UA653100	C.MYLAR	1000pF 50V J		マイラーコン	03
C53	US135100	C.CE.CHP	0.1uF 16V		チップセラコン	01
C54	UR837100	C.EL	10uF 16V		ケミコン	01
C55-61	US135100	C.CE.CHP	0.1uF 16V		チップセラコン	01
C62	US063100	C.CE.CHP	1000pF 50V B		チップセラコン	01
C63-64	US135100	C.CE.CHP	0.1uF 16V		チップセラコン	01
C65	UR837100	C.EL	10uF 16V		ケミコン	01
C66-70	US135100	C.CE.CHP	0.1uF 16V		チップセラコン	01
C71-72	US061180	C.CE.CHP	18pF 50V B		チップセラコン	01
C73	US135100	C.CE.CHP	0.1uF 16V		チップセラコン	01
C74	UR837100	C.EL	10uF 16V		ケミコン	01
C75-77	US135100	C.CE.CHP	0.1uF 16V		チップセラコン	01
C78	US035100	C.CE.CHP	0.1uF 16V B		チップセラコン	01
C79-87	US135100	C.CE.CHP	0.1uF 16V		チップセラコン	01
C88	US063100	C.CE.CHP	1000pF 50V B		チップセラコン	01
C89	UR837100	C.EL	10uF 16V		ケミコン	01
C90-91	US035100	C.CE.CHP	0.1uF 16V B		チップセラコン	01
C94-95	UR837100	C.EL	10uF 16V		ケミコン	01
C96	US135100	C.CE.CHP	0.1uF 16V		チップセラコン	01
C97	UR818470	C.EL	470uF 6.3V		ケミコン	01
C98	UR818100	C.EL	100uF 6.3V		ケミコン	01
C99	US035100	C.CE.CHP	0.1uF 16V B		チップセラコン	01
C100	UR837100	C.EL	10uF 16V		ケミコン	01
C101	UR818470	C.EL	470uF 6.3V		ケミコン	01
C102	US135100	C.CE.CHP	0.1uF 16V		チップセラコン	01
C103	US065100	C.CE.CHP	0.1uF 50V B		チップセラコン	01
C104	UU238330	C.EL	330uF 16V		ケミコン F W	01

\* New Parts (新規部品)

## NX-SW1000

## P.C.B. DSP

Ref No.	Part No.	Description	Remarks	Markets	部品名	ランク
C105	UR818100	C.EL	100uF 6.3V		ケミコン	01
C106-111	US135100	C.CE.CHP	0.1uF 16V		チップセラコン	01
C112	US035100	C.CE.CHP	0.1uF 16V B		チップセラコン	01
C113	UU266220	C.EL	2.2uF 50V		ケミコン FW	01
C114	US061330	C.CE.CHP	33pF 50V B		チップセラコン	01
C115-117	UU267100	C.EL	10uF 50V		ケミコン FW	01
C118-119	US135100	C.CE.CHP	0.1uF 16V		チップセラコン	01
C120	US064150	C.CE.CHP	0.015uF 50V B		チップセラコン	01
C121-123	UA653270	C.MYLAR	2700pF 50V J		マイラーコン	01
C124-126	VQ462600	C.MYLAR	220pF 50V		マイラーコン	01
C127-130	US135100	C.CE.CHP	0.1uF 16V		チップセラコン	01
C131-133	UU267100	C.EL	10uF 50V		ケミコン FW	01
C134-137	US061330	C.CE.CHP	33pF 50V B		チップセラコン	01
C138-139	UU248220	C.EL	220uF 25V		ケミコン	01
C140	UR847100	C.EL	10uF 25V		ケミコン	01
C141	US065100	C.CE.CHP	0.1uF 50V B		チップセラコン	01
C142	UR847470	C.EL	47uF 25V		ケミコン	01
C143-144	US062100	C.CE.CHP	100pF 50V B		チップセラコン	01
C145	UR866100	C.EL	1uF 50V		ケミコン	01
C146-147	US062100	C.CE.CHP	100pF 50V B		チップセラコン	01
C148	US065100	C.CE.CHP	0.1uF 50V B		チップセラコン	01
C149-150	US062100	C.CE.CHP	100pF 50V B		チップセラコン	01
C151	UR848470	C.EL	470uF 25V		ケミコン	01
C152-153	US035100	C.CE.CHP	0.1uF 16V B		チップセラコン	01
C154	US062100	C.CE.CHP	100pF 50V B		チップセラコン	01
C155-156	US035100	C.CE.CHP	0.1uF 16V B		チップセラコン	01
C157	US062100	C.CE.CHP	100pF 50V B		チップセラコン	01
C159-160	US035100	C.CE.CHP	0.1uF 16V B		チップセラコン	01
C161	US062100	C.CE.CHP	100pF 50V B		チップセラコン	01
C162-166	US035100	C.CE.CHP	0.1uF 16V B		チップセラコン	01
C169-170	UU267100	C.EL	10uF 50V		ケミコン FW	01
C171-172	UU267470	C.EL	47uF 50V		ケミコン FW	01
C173-175	US062100	C.CE.CHP	100pF 50V B		チップセラコン	01
C176-177	UU238100	C.EL	100uF 16V		ケミコン	01
C178-179	US135100	C.CE.CHP	0.1uF 16V		チップセラコン	01
C180-181	UU267100	C.EL	10uF 50V		ケミコン FW	01
C182-184	US135100	C.CE.CHP	0.1uF 16V		チップセラコン	01
C185	UU267330	C.EL	33uF 50V		ケミコン FW	01
C186	UU267100	C.EL	10uF 50V		ケミコン FW	01
C187-191	UU267330	C.EL	33uF 50V		ケミコン FW	01
C192	US135100	C.CE.CHP	0.1uF 16V		チップセラコン	01
C193	UU267330	C.EL	33uF 50V		ケミコン FW	01
C194-196	UU267100	C.EL	10uF 50V		ケミコン FW	01
C197	US135100	C.CE.CHP	0.1uF 16V		チップセラコン	01
C198	US035100	C.CE.CHP	0.1uF 16V B		チップセラコン	01
C200-202	US035100	C.CE.CHP	0.1uF 16V B		チップセラコン	01
C203	US062470	C.CE.CHP	470pF 50V B		チップセラコン	01
C204-205	US035100	C.CE.CHP	0.1uF 16V B		チップセラコン	01
C301	UM397100	C.EL	10uF 16V		ケミコン	01
C302-303	US135100	C.CE.CHP	0.1uF 16V		チップセラコン	01
D1-2	VU992600	DIODE.ZENR	MA8051-M 5.1V		ツェナーダイオード	01
D3	VT332900	DIODE	1SS355		ダイオード	01
D4-5	VU992600	DIODE.ZENR	MA8051-M 5.1V		ツェナーダイオード	01
D6-8	VT332900	DIODE	1SS355		ダイオード	01

\* New Parts (新規部品)

## NX-SW1000

## P.C.B. DSP &amp; MAIN

Ref No.	Part No.	Description	Remarks	Markets	部品名	ランク
D9-12	VV220700	DIODE.SHOT	RB501V-40		ショットキーダイオード	01
D13	VU990100	DIODE.ZENR	MA8027 2.7V		ツェナーダイオード	01
D14	VT332900	DIODE	1SS355		ダイオード	01
D15-16	VU993800	DIODE.ZENR	MA8068-M 6.8V		ツェナーダイオード	01
D17	VU993000	DIODE.ZENR	MA8056-M 5.6V		ツェナーダイオード	01
D18	VU992600	DIODE.ZENR	MA8051-M 5.1V		ツェナーダイオード	01
* D300-303	WM880900	LED.CHP	RED		チップLED	
IC2	XY070A00	IC	MM74HCU04SJX INVER		ロジックIC	01
IC3	X3833A00	IC	SN74AHC1G08DCKR		ロジックIC	01
IC4	X5444A00	IC	LC89057W-VF4D-E		IC	07
IC5	X2590B00	IC	W9816G6CH-7 SDRAM		メモリアIC 16M	06
IC6	X3824A00	IC	SN74AHCT08PWR		ロジックIC	01
* IC7	X9465C00	IC.MEMORY	S29AL004D70TFI020	written	メモリアIC	
IC8	X3693A00	IC	SN74LV245APWR TRAN		ロジックIC	
IC9	X3824A00	IC	SN74AHCT08PWR		ロジックIC	01
IC10	X3807A00	IC	AK4628VQ		IC	08
IC11	X5945A00	IC	PQ012FZ01ZPH		電源IC	05
IC12	X6051A00	IC	UPC29M33T-E1-AZ		電源IC	04
* IC13		IC.CPU			IC CPU	
IC14-15	X2331A00	IC	NJM4580E OP AMP		アンプIC	01
IC16	X5769A00	IC	KIA78L05BP		電源IC	02
IC17	X4325A00	IC	YAC523-EVR2		ICアナログ	06
Q1	VV556400	TR	2SC2412K Q,R,S		トランジスタ	01
Q2	WC435000	TR.DGT	KRC102S-RTK		デジタルトランジスタ	01
Q3	V4096100	TR	2SC4614 S,T		トランジスタ	02
Q4	V4096000	TR	2SA1770 S,T		トランジスタ	03
Q5	VV655000	TR.DGT	DTA114EKA		デジタルトランジスタ	01
Q6-8	VZ725900	TR	2SD1938F S,T		トランジスタ	01
R87	HV753100	R.CAR.FP	1 1/4W		不燃化カーボン抵抗	01
R91-92	HV753100	R.CAR.FP	1 1/4W		不燃化カーボン抵抗	01
R209	HV753100	R.CAR.FP	1 1/4W		不燃化カーボン抵抗	01
R213-214	HV753100	R.CAR.FP	1 1/4W		不燃化カーボン抵抗	01
ST200-201	WA789600	SCR.TERM	M3		スクリューターミナル	
ST302-303	WA789600	SCR.TERM	M3		スクリューターミナル	
SW300	VV011000	SW.TACT	SKHLLC		タクトSW	01
U300	WB437900	L.DTCT	GP1UD281YK		リモコン受光ユニット	04
XL1	V3625700	RSNR.CRYS	24.576MHz		水晶振動子	03
XL2	WA674700	RSNR.CE	16MHz CSTLS16M0X51		セラミック振動子	
* * *	WM892200	P.C.B.	MAIN	J	P C B M A I N	
* * *	WM892400	P.C.B.	MAIN	RKAL	P C B M A I N	
* * *	WM892500	P.C.B.	MAIN	G	P C B M A I N	
CB1	VB858600	CN.BS.PIN	7P		ベースピン	01
CB2	VB858900	CN.BS.PIN	10P		ベースピン	01
CB3	LB919070	CN.BS.PIN	7P		ベース付ポスト	01
CB4	VB389600	CN.BS.PIN	11P		コネクタベースポスト	01
CB8-9	WC050700	CLIP.FUSE	EYF-52BCY		ヒューズクリップ	01
CB10	V9377900	CN.BS.PIN	4P	RKAL	ベース付ポスト	
CB11	LB919060	CN.BS.PIN	6P		ベース付ポスト	01
CB12	LB933040	CN.BS.PIN	4P		ベースポスト	01
CB14	VG879900	CN.BS.PIN	2P		ベースピン	01
CB15	LB933020	CN.BS.PIN	2P		ベースポスト	01

\* New Parts (新規部品)

## NX-SW1000

## P.C.B. MAIN

Ref No.	Part No.	Description	Remarks	Markets	部品名	ランク
CB16	VP245600	CN	2P		ベース付ポスト	01
C1-3	UR867100	C.EL	10uF 50V		ケミコン	01
C4-5	WJ602900	C.MYLAR	100pF 50V K		マイラーコン	01
C6	WJ605000	C.MYLAR	0.01uF 50V J		マイラーコン	01
C7-8	US061220	C.CE.CHP	22pF 50V B		チップセラコン	01
C9	UR867100	C.EL	10uF 50V		ケミコン	01
C10-11	WJ603100	C.MYLAR	220pF 50V		マイラーコン	01
C12	VR169000	C.MYLAR	0.33uF 50V		マイラーコン	01
C13-14	US135100	C.CE.CHP	0.1uF 16V		チップセラコン	01
C15	VR168500	C.MYLAR.ML	ECQ-V1H154JL3		積層マイラーコン	01
C16-18	UR867100	C.EL	10uF 50V		ケミコン	01
C19-20	VR168600	C.MYLAR.ML	ECQ-V1H184JL3		積層マイラーコン	01
C21	UR837330	C.EL	33uF 16V		ケミコン	01
C22	UR867100	C.EL	10uF 50V		ケミコン	01
C23	VR168300	C.MYLAR	0.1uF 50V		マイラーコン	01
C24-25	UR837100	C.EL	10uF 16V		ケミコン	01
C28	UR838100	C.EL	100uF 16V		ケミコン	01
C29	UR877220	C.EL	22uF 63V		ケミコン	01
C30	WJ605000	C.MYLAR	0.01uF 50V J		マイラーコン	01
C31	UR897100	C.EL	10uF 100V		ケミコン	01
C32	UR877220	C.EL	22uF 63V		ケミコン	01
C33	UR897100	C.EL	10uF 100V		ケミコン	01
C34	WJ602900	C.MYLAR	100pF 50V K		マイラーコン	01
C35	WJ603300	C.MYLAR	470pF 50V J		マイラーコン	01
C36	WJ605000	C.MYLAR	0.01uF 50V J		マイラーコン	01
C37	WJ603300	C.MYLAR	470pF 50V J		マイラーコン	01
C38	VR169200	C.MYLAR	0.47uF 50V		マイラーコン	01
C39	WJ602900	C.MYLAR	100pF 50V K		マイラーコン	01
C40	UR867330	C.EL	33uF 50V		ケミコン	01
C41	WJ603300	C.MYLAR	470pF 50V J		マイラーコン	01
C42	UR897100	C.EL	10uF 100V		ケミコン	01
C43	FG650500	C.CE	5pF 50V		セラコン	01
C44	WJ602900	C.MYLAR	100pF 50V K		マイラーコン	01
C45	UR867330	C.EL	33uF 50V		ケミコン	01
C46-47	UR837470	C.EL	47uF 16V		ケミコン	01
C48	UR866100	C.EL	1uF 50V		ケミコン	01
C49-50	FG650500	C.CE	5pF 50V		セラコン	01
C51-53	UA654470	C.MYLAR	0.047uF 50V J		マイラーコン	01
C54	UR866470	C.EL	4.7uF 50V		ケミコン	01
C55	UR828220	C.EL	220uF 10V		ケミコン	01
C56	VR168300	C.MYLAR	0.1uF 50V		マイラーコン	01
C57	UR867100	C.EL	10uF 50V		ケミコン	01
C58	UR858100	C.EL	100uF 35V		ケミコン	01
C59	UA654220	C.MYLAR	0.022uF 50V J		マイラーコン	01
C60-61	US135100	C.CE.CHP	0.1uF 16V		チップセラコン	01
C62-63	UR866100	C.EL	1uF 50V		ケミコン	01
C64	US135100	C.CE.CHP	0.1uF 16V		チップセラコン	01
C65	UR866100	C.EL	1uF 50V		ケミコン	01
C66	UA654220	C.MYLAR	0.022uF 50V J		マイラーコン	01
C67	WJ605000	C.MYLAR	0.01uF 50V J		マイラーコン	01
C68	UR866100	C.EL	1uF 50V		ケミコン	01
C69	US064100	C.CE.CHP	0.01uF 50V B		チップセラコン	01
C70	WJ605000	C.MYLAR	0.01uF 50V J		マイラーコン	01
C71-72	UR866100	C.EL	1uF 50V		ケミコン	01

\* New Parts (新規部品)

## NX-SW1000

## P.C.B. MAIN

Ref No.	Part No.	Description	Remarks	Markets	部品名	ランク
C75	UR866100	C.EL	1uF 50V		ケミコン	01
C78-79	WJ605000	C.MYLAR	0.01uF 50V J		マイラーコン	01
C80-81	WE514200	C.EL	6800uF 63V		ケミコン	
C83-84	UR749220	C.EL	2200uF 25V		ケミコン	03
C87	UR73A100	C.EL	10000uF 16V		ケミコン	03
C88-89	VR168300	C.MYLAR	0.1uF 50V		マイラーコン	01
C90-91	WJ611400	C.MYLAR	0.1uF 100V J		マイラーコン	01
C92	US135100	C.CE.CHP	0.1uF 16V		チップセラコン	01
C93	WJ605000	C.MYLAR	0.01uF 50V J		マイラーコン	01
C94	US064100	C.CE.CHP	0.01uF 50V B		チップセラコン	01
C95	WJ605000	C.MYLAR	0.01uF 50V J		マイラーコン	01
C96	VR168300	C.MYLAR	0.1uF 50V		マイラーコン	01
△ C97	WB121400	C.CE.SAFTY	0.01uF 295V		規格認定コンデンサ	
C100-101	WJ605000	C.MYLAR	0.01uF 50V J		マイラーコン	01
D1-4	VD631600	DIODE	1SS133,176		ダイオード	01
D5	VU992600	DIODE.ZENR	MA8051-M 5.1V		ツェナーダイオード	01
D6-7	VD631600	DIODE	1SS133,176		ダイオード	01
D8-9	WC398800	DIODE	KDS160-RTK		ダイオード	01
D10	VN008700	DIODE	1SS270A		ダイオード	01
D11-14	VD631600	DIODE	1SS133,176		ダイオード	01
D15	VN008700	DIODE	1SS270A		ダイオード	01
D16	VD631600	DIODE	1SS133,176		ダイオード	01
D17-18	VN008700	DIODE	1SS270A		ダイオード	01
D19	VD631600	DIODE	1SS133,176		ダイオード	01
D20-21	VT332900	DIODE	1SS355		ダイオード	01
△ D23	WA653100	DIODE.BRG	KBP103G 1A 200V		ダイオ - ドブリッジ	02
△ D24	WA653200	DIODE.BRG	TS6P03G 6A 200V		ダイオ - ドブリッジ	04
D25-26	WC398800	DIODE	KDS160-RTK		ダイオード	01
△ D27	WJ286700	DIODE.BRG	RS403M 4A 140V		ダイオードブリッジ	03
D28	VU994600	DIODE.ZENR	MA8082-M 8.2V		ツェナーダイオード	01
△ F1	WB760600	FUSE	T6.3A 250V	JRKAL	ヒューズ	01
△ F1	VV071700	FUSE	3.15A 250V	GF	ヒューズ	01
△ IC1-4	X2331A00	IC	NJM4580E OP AMP		アンプ I C	01
△ IC7	X8190A00	IC	STK433-330-E		パワー I C	12
△ IC10	X4153A00	IC	KIA7812API		電源 I C	02
△ IC11	X4154A00	IC	KIA7912PI		電源 I C	
△ IC12	X4928A00	IC	KIA7805API 5V		電源 I C	02
△ IC14	X0515A00	IC	LM61CIZ THERMAL		電源 I C	03
△ Q6	WC398400	TR	2N5551C-AT		トランジスタ	01
△ Q7-8	VC614000	TR	2SB1274 Q,R,S		トランジスタ	02
△ Q9	WC398400	TR	2N5551C-AT		トランジスタ	01
△ Q10-11	WC397700	TR	2N5401C-AT		トランジスタ	
Q12	WB228800	TR	KTC3198 Y AT		トランジスタ	
Q13	WB228700	TR	KTA1266 Y AT		トランジスタ	
Q14	WB228800	TR	KTC3198 Y AT		トランジスタ	
Q15	WB228700	TR	KTA1266 Y AT		トランジスタ	
△ Q16-18	WC398400	TR	2N5551C-AT		トランジスタ	01
△ Q19	WC397700	TR	2N5401C-AT		トランジスタ	
Q20	V3028000	FET	2SK304 E		F E T	01
△ Q21-22	WC434900	TR.DGT	KRA104S-RTK		デジタルトランジスタ	01
Q23-24	WC435000	TR.DGT	KRC102S-RTK		デジタルトランジスタ	01
△ Q25-26	iC181510	TR	2SC1815 Y		トランジスタ	01
Q27	WC435100	TR.DGT	KRC104S-RTK		デジタルトランジスタ	01
Q28	VV556400	TR	2SC2412K Q,R,S		トランジスタ	01

\* New Parts (新規部品)



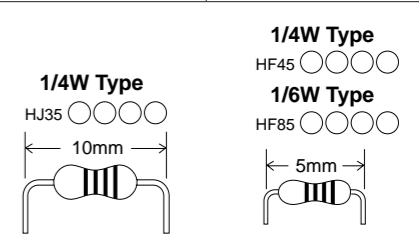
NX-SW1000

P.C.B. MAIN

Carbon Resistors

Ref No.	Part No.	Description	Remarks	Markets	部品名	ランク
Q30-31	WC435000	TR. DGT	KRC102S-RTK		デジタルトランジスタ	01
R36	WC796900	R.MTL.FLM	2.7K 1/4W		金属被膜抵抗	
△ R39	HV753220	R.CAR.FP	2.2 1/4W		不燃化カーボン抵抗	01
△ R42	HV755560	R.CAR.FP	560 1/4W		不燃化カーボン抵抗	01
△ R52	HV754100	R.CAR.FP	10 1/4W		不燃化カーボン抵抗	01
△ R55	HV754100	R.CAR.FP	10 1/4W		不燃化カーボン抵抗	01
R69	HV754470	R.CAR.FP	47 1/4W		不燃化カーボン抵抗	01
△ R71	WB279900	R.CEMENT	RGC55C 0.22+0.22		セメント抵抗	02
R78	WC798300	R.MTL.FLM	10K 1/4W		金属被膜抵抗	
△ R79-80	WB279900	R.CEMENT	RGC55C 0.22+0.22		セメント抵抗	02
R86	WC798300	R.MTL.FLM	10K 1/4W		金属被膜抵抗	
R87	WC799000	R.MTL.FLM	20K 1/4W		金属被膜抵抗	
R93	HV754100	R.CAR.FP	10 1/4W		不燃化カーボン抵抗	01
R94	WC798300	R.MTL.FLM	10K 1/4W		金属被膜抵抗	
R96-97	HV754100	R.CAR.FP	10 1/4W		不燃化カーボン抵抗	01
△ R99	WB625100	R.MTL.FLM	4.7 1W J		金属被膜抵抗	01
△ R104-105	WB625100	R.MTL.FLM	4.7 1W J		金属被膜抵抗	01
R119	V6022600	R.CEMENT	0.1 3W		セメント抵抗	
R133	HV753470	R.CAR.FP	4.7 1/4W		不燃化カーボン抵抗	01
R138	HV753470	R.CAR.FP	4.7 1/4W		不燃化カーボン抵抗	01
△ R140-141	HV753100	R.CAR.FP	1 1/4W		不燃化カーボン抵抗	01
△* R142	WB624300	R.MTL.FLM	0.22 1W		金属被膜抵抗	
△ R152	WH819500	R.FUSE	0.47 1W		ヒューズ抵抗	01
△ RY1-2	WJ122400	RELAY	981-2A-24DS-SP7		リレー 24V	04
△ RY3	V2712300	RELAY	DC SDT-S-112LMR		リレー 12V	05
△ SW6	WC906700	SW.SLIDE	SDKPA40300	RKAL	スライドSW	06
TE1	WH963000	TERM.SP	4P LTS0410-0015FM	J	スピーカターミナル	05
* TE1	WH963100	TERM.SP	4P LTS0410-0016FM	RKAGFL	スピーカターミナル	
△ TE2	WB782600	AC INLET	R-30190(26)	RKAL	ACインレット 2P	
	WE774200	SCR.BND.HD	3x10 MFZN2W3		バインドBタイトネジ	01

Value	1/4W Type Part No.	1/6W Type Part No.	Value	1/4W Type Part No.	1/6W Type Part No.
1.0 Ω	HJ35 3100	HF85 3100	10 kΩ	HF45 7100	HF45 7100
1.8 Ω	HJ35 3180	*	11 kΩ	HF45 7110	HF45 7110
2.2 Ω	HJ35 3220	HF85 3220	12 kΩ	HJ35 7120	HF85 7120
3.3 Ω	HJ35 3330	HF85 3330	13 kΩ	HF45 7130	HF45 7130
4.7 Ω	HJ35 3470	HF85 3470	15 kΩ	HF45 7150	HF45 7150
5.6 Ω	HJ35 3560	HF85 3560	18 kΩ	HF45 7180	HF45 7180
10 Ω	HF45 4100	HF45 4100	22 kΩ	HF45 7220	HF45 7220
15 Ω	HJ35 4150	HF85 4150	24 kΩ	HF45 7240	HF45 7240
22 Ω	HF45 4220	HF45 4220	27 kΩ	HJ35 7270	HF85 7270
27 Ω	HJ35 4270	HF85 4270	30 kΩ	HF45 7300	HF45 7300
33 Ω	HF45 4330	HF45 4330	33 kΩ	HF45 7330	HF45 7330
39 Ω	HJ35 4470	HF85 4390	36 kΩ	HF45 7360	HF45 7360
47 Ω	HF45 4470	HF45 4470	39 kΩ	HF45 7390	HF45 7390
56 Ω	HF45 4560	HF45 4560	47 kΩ	HF45 7470	HF45 7470
68 Ω	HF45 4680	HF45 4680	51 kΩ	HF45 7510	HF45 7510
75 Ω	HF45 4750	HF45 4750	56 kΩ	HF45 7560	HF45 7560
82 Ω	HF45 4820	HF45 4820	62 kΩ	HF45 7620	HF45 7620
91 Ω	HF45 4910	HF45 4910	68 kΩ	HF45 7680	HF45 7680
100 Ω	HF45 5100	HF45 5100	82 kΩ	HF45 7820	HF45 7820
110 Ω	HJ35 5110	HF85 5110	91 kΩ	HF45 7910	HF45 7910
120 Ω	HF45 5120	HF45 5120	100 kΩ	HF45 8100	HF45 8100
150 Ω	HF45 5150	HF45 5150	110 kΩ	HF45 8110	HF45 8110
160 Ω	HJ35 5160	*	120 kΩ	HF45 8120	HF45 8120
180 Ω	HF45 5180	HF45 5180	150 kΩ	HF45 8150	HF45 8150
200 Ω	HF45 5200	HF45 5200	180 kΩ	HF45 8180	HF45 8180
220 Ω	HF45 5220	HF45 5220	220 kΩ	HJ35 8220	HF85 8220
270 Ω	HF45 5270	HF45 5270	270 kΩ	HF45 8270	HF45 8270
330 Ω	HF45 5330	HF45 5330	300 kΩ	HF45 8300	HF45 8300
390 Ω	HF45 5390	HF45 5390	330 kΩ	HF45 8330	HF45 8330
430 Ω	HF45 5430	HF45 5430	390 kΩ	HJ35 8390	HF85 8390
470 Ω	HF45 5470	HF45 5470	470 kΩ	HF45 8470	HF45 8470
510 Ω	HF45 5510	HF45 5510	560 kΩ	HJ35 8560	HF85 8560
560 Ω	HF45 5560	HF45 5560	680 kΩ	HJ35 8680	HF85 8680
680 Ω	HF45 5680	HF45 5680	820 kΩ	HJ35 8820	HF85 8820
820 Ω	HF45 5820	HF45 5820	1.0 MΩ	HF45 9100	HF45 9100
910 Ω	HF45 5910	HF45 5910	1.2 MΩ	HJ35 9120	*
1.0 kΩ	HF45 6100	HF45 6100	1.5 MΩ	HJ35 9150	HF85 9150
1.2 kΩ	HF45 6120	HF45 6120	1.8 MΩ	HJ35 9180	HF85 9180
1.5 kΩ	HF45 6150	HF45 6150	2.2 MΩ	HJ35 9220	HF85 9220
1.8 kΩ	HF45 6180	HF45 6180	3.3 MΩ	HJ35 9330	HF85 9330
2.0 kΩ	HJ35 6200	HF85 6200	3.9 MΩ	HJ35 9390	*
2.2 kΩ	HF45 6220	HF45 6220	4.7 MΩ	HJ35 9470	HF85 9470
2.4 kΩ	HJ35 6240	HF85 6240			
2.7 kΩ	HF45 6270	HF45 6270			
3.0 kΩ	HF45 6300	HF45 6300			
3.3 kΩ	HF45 6330	HF45 6330			
3.6 kΩ	HJ35 6360	HF85 6360			
3.9 kΩ	HF45 6390	HF45 6390			
4.7 kΩ	HF45 6470	HF45 6470			
5.1 kΩ	HF45 6510	HF45 6510			
5.6 kΩ	HF45 6560	HF45 6560			
6.8 kΩ	HF45 6680	HF45 6680			
8.2 kΩ	HF45 6820	HF45 6820			
9.1 kΩ	HF45 6910	HF45 6910			

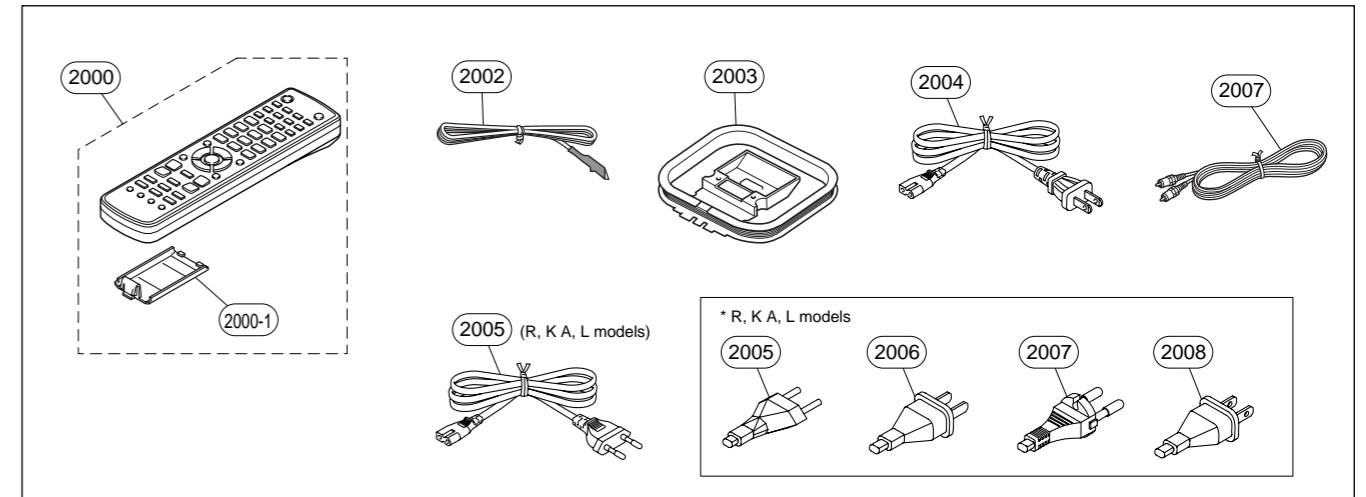


\* New Parts (新規部品)

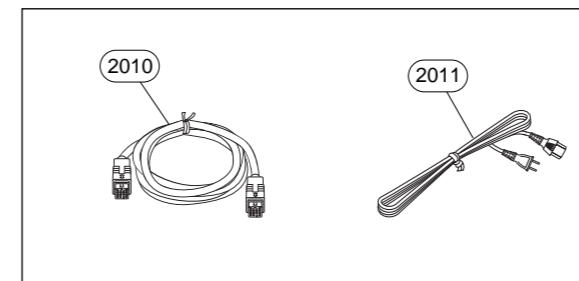


● ACCESSORIES

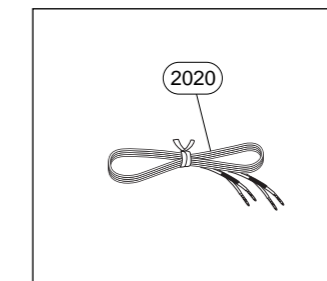
For DVR-1000



For NX-SW1000



For NX-P1000



Ref No.	Part No.	Description	Remarks	Markets	部品名	ランク	
*	101	AAx89440	TOP CABINET	3139 244 17561		トップキャビネット	
*	119	AAx89540	BUTTON VOLUME DVR1000	3139 244 17572		ボタンVOLUME	
*	120	AAx89510	BUTTON INPUT/STOP	3139 244 17852		ボタンINPUT/STOP	
*	121	AAx89520	BUTTON PLAY/PAUSE	3139 244 17862		ボタンPLAY/PAUSE	
*	122	AAx89530	BUTTON STANDBY	3139 244 17581		ボタンSTANDBY	
*	123	AAx89500	BUTTON EJECT	3139 244 17591		ボタンEJECT	
*	124	AAx89300	ESCUTCHEON BUTTON	3139 244 17601		エスカッション ボタン	
*	125	AAx89600	LENS LED	3139 244 17611		レンズLED	
*	126	AAx89420	SHEET GUIDE	3139 244 17622		シート ガイド	
*	127	AAx89480	PANEL GUIDE	3139 243 10241		パネル ガイド	
*	128	AAx89400	SHEET WINDOW	3139 244 17632	J	シート ウィンドウ	
*	128	AAx89410	SHEET WINDOW	3139 244 17642	RKAGFL	シート ウィンドウ	
*	130	AAx89460	TOP PANEL	3139 241 60952	J	トップパネル	
*	130	AAx90120	TOP PANEL	3139 241 60992	RKAGFL	トップパネル	
*	150	AAx89550	BOTTOM CABINET ASS'Y	3141 079 44241		ボトムキャビネットASSY	
*	152	AAx89430	SHEET BARRIER	3139 244 17681		シート バリア	
*	163	AAx89560	REAR PANEL	3139 241 27201	J	リアパネル	
*	163	AAx89580	REAR PANEL	3139 241 27222	RKAL	リアパネル	
*	163	AAx89570	REAR PANEL	3139 241 27211	G	リアパネル	
*	163	AAx89590	REAR PANEL	3139 241 27231	F	リアパネル	
	250	AAx53520	PAN HEAD TORX P-TIGHT SCREW	3x8 MFZN2BL 2511 076 50012		ナベトルクスPタイトネジ	
	251	AAx23640	PAN HEAD TORX S-TIGHT SCREW	3x6 MFZN2BL 2511 077 00039		ナベトルクスSタイトネジ	
*	252	AAx89470	PAN HEAD TORX P-TIGHT SCREW	3x8 MFZN2BL 2511 077 00041		ナベトルクスPタイトネジ	
*	282	AAx89640	SPECIAL SCREW	2.6x4 MFZN2BL 2522 200 00088		特殊小ネジ	
	290	AAx72210	PAN HEAD TORX P-TIGHT SCREW	3x6 MFZN2BL 2511 076 50011		ナベトルクスPタイトネジ	01
*	1001	AAx89250	P.C.B. ASS'Y	FRONT 3139 248 53461	J	PCB FRONT	
*	1001	AAx89240	P.C.B. ASS'Y	FRONT 3139 248 53451	RKAGFL	PCB FRONT	
*	1002	AAx89280	P.C.B. ASS'Y	USB 3139 248 53331		PCB USB	
*	1003	AAx89270	P.C.B. ASS'Y	MONO SD6.3 3139 248 53351		PCB MONO	
*	1004	AAx89260	P.C.B. ASS'Y	HDMI 3139 248 53361		PCB HDMI	
△	1006	AAx89630	POWER SUPPLY UNIT	06P30 WR AC6812-8LF 3139 247 12562		電源ユニット	
*	1007	AAx89610	LOADER ASS'Y	SLOT IN type 3139 248 00611		ローダーASSY	
*	1008	AAx89190	AM/FM TUNER	ENG048150F 2422 542 00047	J	AM/FMチューナー	
*	1008	AAx89180	AM/FM TUNER	ENG068330F 2422 542 00045	RKAL	AM/FMチューナー	
*	1008	AAx89170	AM/FM TUNER	ENG078200F 2422 542 00044	GF	AM/FMチューナー	
*	1009	AAx89230	P.C.B. ASS'Y	AV 3139 248 53431	J	PCB AV	
*	1009	AAx89210	P.C.B. ASS'Y	AV 3139 248 53341	RKAL	PCB AV	
*	1009	AAx89220	P.C.B. ASS'Y	AV 3139 248 53421	GF	PCB AV	
△	8002	AAx89390	CABLE ASS'Y	2P 140mm 3139 241 03551	JGF	ケーブルASSY	
△	8002	AAx80010	CABLE ASS'Y	2P 140mm 3139 241 03121	RKAL	ケーブルASSY	
*	8005	AAx89320	FLEXIBLE FLAT CABLE	16P 180mm P=1mm 3139 111 02361		カード電線 C&C	
*	8007	AAx89370	FLEXIBLE FLAT CABLE	21P 140mm P=1mm 3139 241 03991		カード電線 C&C	
*	8008	AAx89360	FLEXIBLE FLAT CABLE	30P 140mm P=1mm 3139 241 02771		カード電線 C&C	
	8009	AAx59250	FLEXIBLE FLAT CABLE	30P 180mm P=1mm 3139 241 00421		カード電線 C&C	02
	8010	AAx90100	FLEXIBLE FLAT CABLE	30P 280mm P=1mm FOLD 3139 241 04011		カード電線 C&C	
*	8011	AAx89330	FLEXIBLE FLAT CABLE	10P 180mm P=1.25mm 3139 111 04471		カード電線 C&C	
*	8012	AAx89340	FLEXIBLE FLAT CABLE	10P 180mm P=1mm 3139 241 01771		カード電線 C&C	
*	8013	AAx89350	FLEXIBLE FLAT CABLE	19P 220mm P=1mm 3139 241 02451		カード電線 C&C	
*	8014	AAx47130	FLEXIBLE FLAT CABLE	11P 80mm P=1mm 3139 241 00231		カード電線 C&C	
	8015	AAx62220	FLEXIBLE FLAT CABLE	13P 220mm P=1mm 3139 241 00571		カード電線 C&C	01
*	8016	AAx90110	FLEXIBLE FLAT CABLE	7P 100mm P=1mm 3139 241 04121		カード電線 C&C	
*	8017	AAx89380	FLEXIBLE FLAT CABLE	9P 80mm P=1mm 3139 241 04001		カード電線 C&C	
*	8022	AAx89290	USB CABLE ASS'Y	USB 5P 300mm 2422 076 00786		USBケーブルASSY	

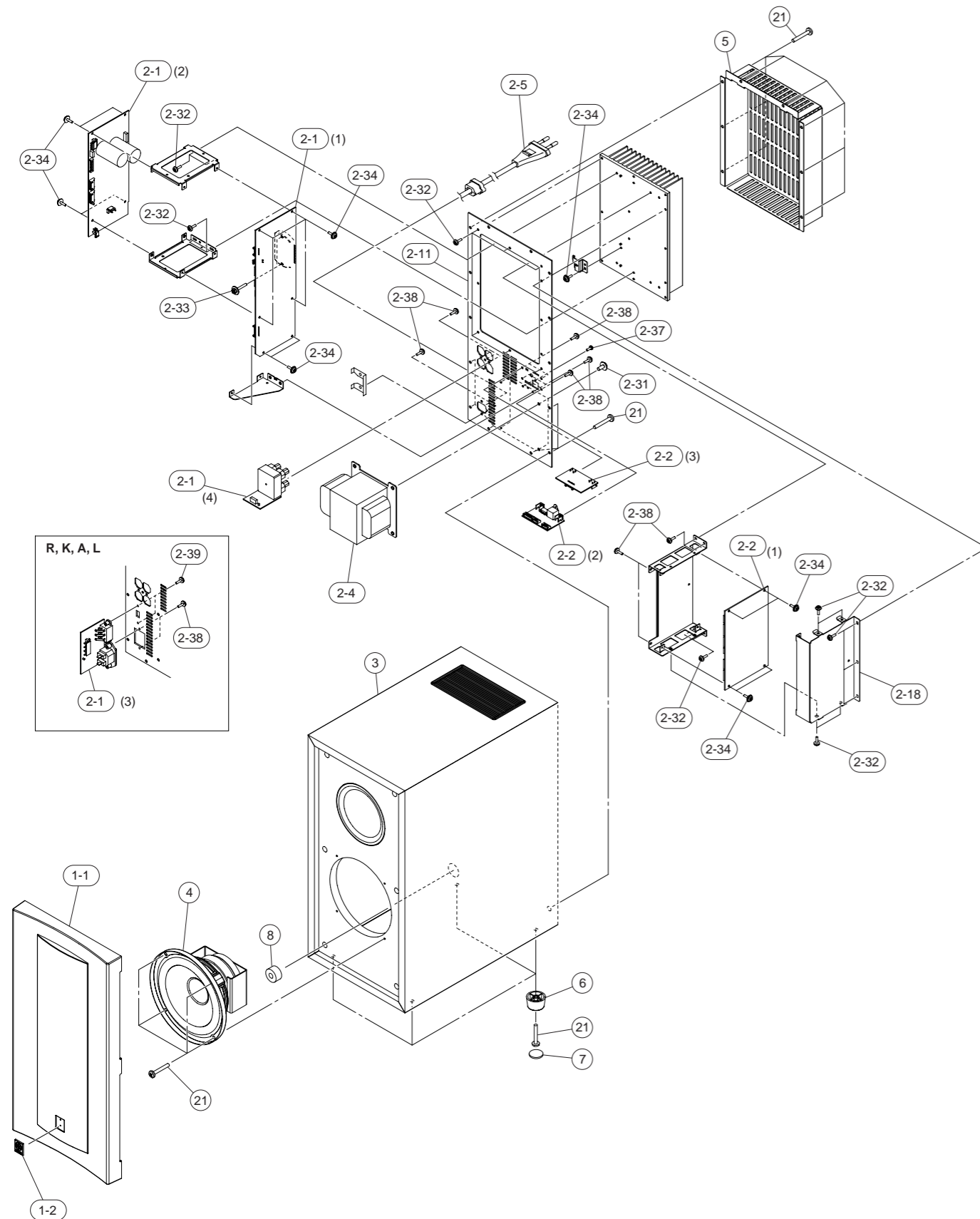
\* New Parts (新規部品)

Ref No.	Part No.	Description	Remarks	Markets	部品名	ランク	
*	2000	WM238600	REMOTE CONTROL		JRKAL	リモコン	
*	2000	WM238700	REMOTE CONTROL		GF	リモコン	
	2000-1	AAx57560	BATTERY COVER	103RRS-141-07L		電池蓋	
	2002	AAx67120	INDOOR FM ANTENNA	1.0m 1pc 2422 076 00546		FM簡易アンテナ	01
*	2003	AAx89200	AM LOOP ANTENNA	1.0m 1pc 2422 549 00717	J	AMループアンテナ	
	2003	AAx67100	AM LOOP ANTENNA	1.0m 1pc 2422 549 45386	RKAL	AMループアンテナ	04
△	2004	AAx89620	POWER CABLE for DVR-1000	1.5m 1pc 2422 070 00124	J	電源コード	
△	2004	AAx79660	POWER CABLE for DVR-1000	1.5m 1pc 2422 070 98151	RKAGFL	電源コード	
△	2005	AAx79950	POWER CABLE for DVR-1000	1.5m 1pc 2422 070 98242	RKAL	電源コード	
△	2006	AAx79940	POWER CABLE for DVR-1000	1.5m 1pc 2422 070 00094	RKAL	電源コード	
*	2007	AAx89490	VIDEO PIN CABLE	1P YE 1.5m 1pc 2422 076 00831		ビデオ用ピンケーブル	
			BATTERY	R6,AA,UM-3 2pcs		単3乾電池	
			FOR NX-SW1000				
*	2010	WM885500	SYSTEM CONTROL CABLE	13P 4m LLM5335-4000FC		システム接続ケーブル	
△	2011	WK391000	POWER CABLE for NX-SW1000	2m 1pc	R	電源コード	
△	2011	WH641300	POWER CABLE for NX-SW1000	2m 1pc	K	電源コード	
△	2011	WB750900	POWER CABLE for NX-SW1000	2m 1pc	A	電源コード	
△	2011	V7704900	POWER CABLE for NX-SW1000	2m 1pc	L	電源コード	
			FOR NX-P1000				
*	2020	AAx88980	SPEAKER CABLE ASS'Y	4m 2pcs 468879		SPケーブルASSY	

\* New Parts (新規部品)

**NX-SW1000**

● OVERALL ASS'Y

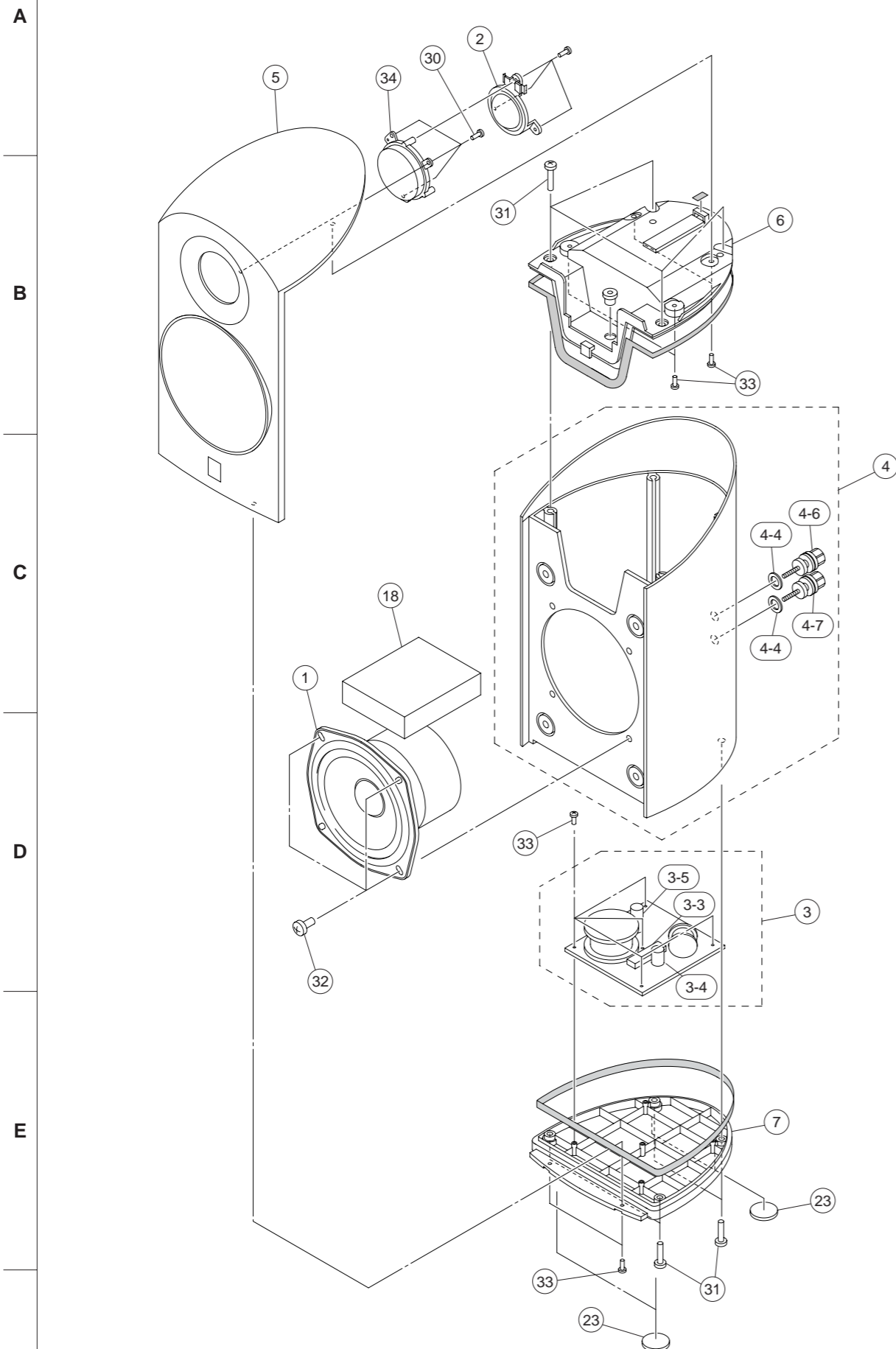


Ref No.	Part No.	Description	Remarks	Markets	部品名	ランク
* 1-1	WM907300	FRONT PANEL SUB ASS'Y	with PANEL/GRILLE		Fパネルサブアッシー	
1-2	WC904800	EMBLEM			エンブレム	02
* 2-1	WM892200	P.C.B. ASS'Y	MAIN	J	PCB MAIN	
* 2-1	WM892400	P.C.B. ASS'Y	MAIN	RKAL	PCB MAIN	
* 2-1	WM892500	P.C.B. ASS'Y	MAIN	GF	PCB MAIN	
* 2-2	WM892700	P.C.B. ASS'Y	DSP		PCB DSP	
△ 2-4	X9495A00	POWER TRANSFORMER		J	電源トランス	
△ 2-4	X9497A00	POWER TRANSFORMER		RKAL	電源トランス	
△ 2-4	X9496A00	POWER TRANSFORMER		GF	電源トランス	
△ 2-5	WM857700	POWER CABLE	1.8m	J	電源コード	
△ 2-5	WB212300	POWER CABLE	2m	GF	電源コード	
2-6	V2438700	CORD STOPPER	10P1	JGF	コードストッパー	02
* 2-11	WM147100	REAR PANEL		J	リアパネル	09
* 2-11	WM147200	REAR PANEL		RKAL	リアパネル	
* 2-11	WM147500	REAR PANEL		GF	リアパネル	
* 2-18	WM140100	COVER DSP			カバー/DSP	
2-31	WF765200	PW HEAD S-TIGHT SCREW	4x8-10 MFZN2B3		PWヘッドSタイトネジ	01
2-32	WE774400	BIND HEAD B-TIGHT SCREW	3x8 MFZN2B3		バインドBタイトネジ	01
2-33	WE774600	SCREW IC	3x18 MFZN2W3		スクリュー IC	01
2-34	WF002600	PW HEAD B-TIGHT SCREW	3x8 MFZN2W3		PWヘッドBタイトネジ	01
* 2-37	WM905600	PAN HEAD SCREW	2.6x6 MFZN2B3		ナベ小ネジ	
2-38	WE774100	BIND HEAD BONDING B-T. SCREW	3x8 MFZN2B3		ボンディングBタイトネジ	01
2-39	WE774800	BIND HEAD P-TIGHT SCREW	3x8 MFZN2W3	RKAL	バインドPタイトネジ	01
* 3	WM224900	CABINET ASS'Y			キャビネットアッシー	
* 4	X9379A00	DRIVER WOOFER	16cm 6	JA16B3	スピーカーユニット	
* 5	WM139900	REAR COVER			リアカバー	
* 6	WM179700	LEG			レッグ	01
* 7	WM727200	PAD	D25 t=2		パッド	
8	WC739000	BUSHING			ブッシュ	
21	WF459800	BIND HEAD TAPPING SCREW	4x25 MFZN2B3		バインドTPネジ	01

\* New Parts (新規部品)

## NX-P1000

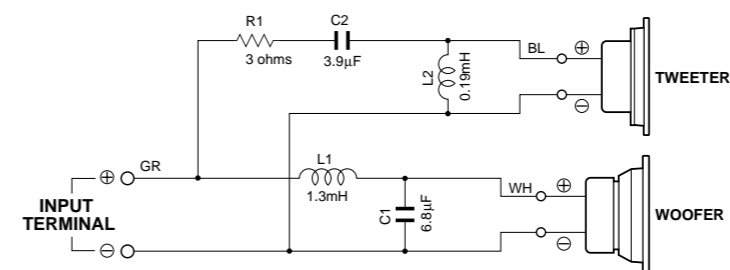
## ● OVERALL ASS'Y



Ref No.	Part No.	Description	Remarks	Markets	部品名	ランク
* 1	X9488A00	DRIVER WOOFER	12cm 6 with CABLE	467388	スピーカーユニット	
* 2	X9489A00	DRIVER TWEETER	2.5cm 6	467389	スピーカーユニット	
* 3	AAx89070	NETWORK ASS'Y		469358	ネットワークASSY	
* 3-3	AAx89150	CEMENT RESISTOR	R1 3 5W	473855	セメント抵抗	
* 3-4	AAx89030	ELECTROLYTIC CAPASITOR	C2 3.9uF 63V	468738	ケミコン	
* 3-5	AAx88970	ELECTROLYTIC CAPASITOR	C1 6.8uF 63V	468739	ケミコン	
* 4	AAx89020	CABINET AL ASS'Y		470429	キャビネットASSY	
* 4-4	AAx89060	WASHER TERMINAL	D13.5/9 t=2.5	466787	ターミナルワッシャー	
* 4-6	AAx89040	SPEAKER TERMINAL ASS'Y	RED	430484	スピーカー端子ASSY	
* 4-7	AAx89050	SPEAKER TERMINAL ASS'Y	BLACK	430485	スピーカー端子ASSY	
* 5	AAx89120	FRONT PANEL ASS'Y	with GRILLE/EMBLEM	470430	フロントパネルASSY	
* 6	AAx89000	COVER TOP ASS'Y	with TW.CABLE	470431	カバートップASSY	
* 7	AAx89010	COVER BOTTOM ASS'Y		470432	カバーボトムASSY	
* 18	AAx89140	DAMPING MATERIAL ASS'Y	120x90x20	474135	防振材	
* 23	AAx89130	NONSKID PAD (FOOT)	D20 t=2	385076	滑り止めパッド	
* 30	AAx89090	BIND HEAD P-TIGHT SCREW	3x8 MFZN2B3	407446	バインドPタイトネジ	
* 31	AAx89080	BIND HEAD B-TIGHT SCREW	4x16 MFZN2B3	426567	バインドBタイトネジ	
* 32	AAx89110	BIND HEAD SCREW	5x8 MFZN2B3	422361	バインド小ネジ	
* 33	AAx89100	BIND HEAD P-TIGHT SCREW	3x12 MFZN2B3	421752	バインドPタイトネジ	
* 34	AAx88990	GRILLE TWEETER ASS'Y		474136	TWグリルASSY	

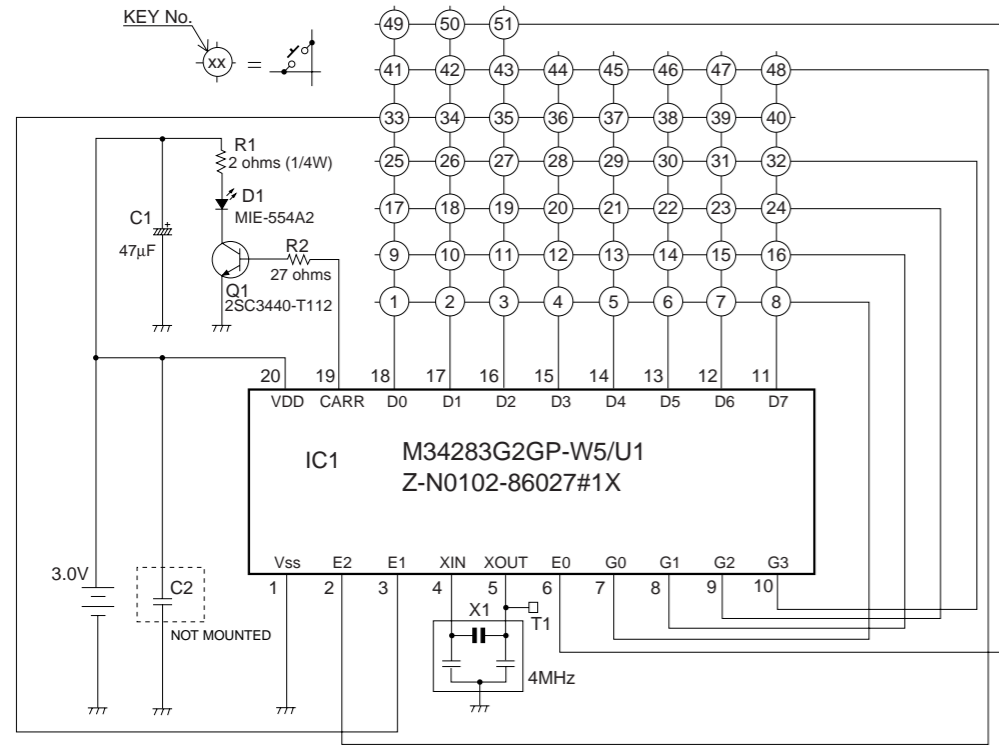
\* New Parts (新規部品)

## ● NETWORK CIRCUIT DIAGRAM

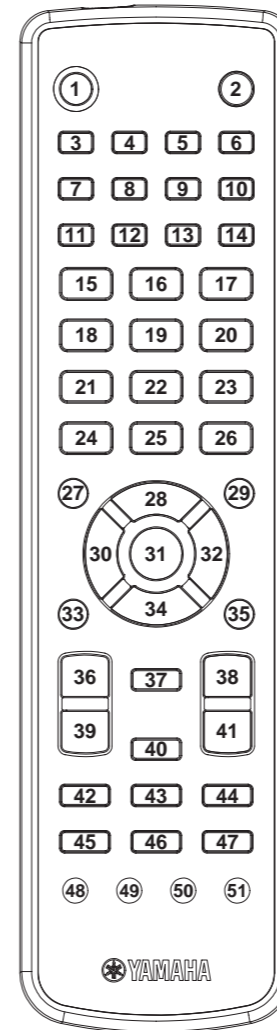


# REMOTE CONTROL

## ● SCHEMATIC DIAGRAM



## ● KEY NO. LAYOUT

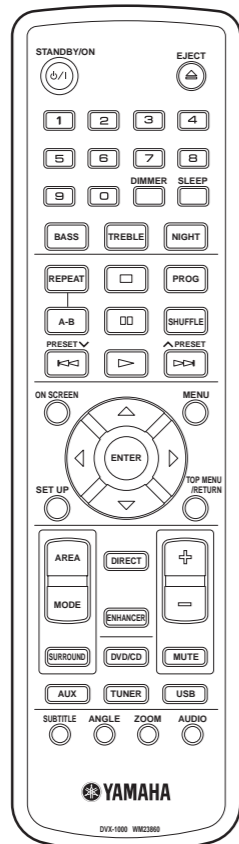


## ● KEY CODE

Key No.	Function	DVD/CD	TUNER	AUX	USB
		K43	K46	K45	K47
1	STANDBY/ON	78-0F	78-0F	78-0F	78-0F
2	EJECT	78-00	78-00	78-00	78-00
3	1	7C-94	78-11	-	-
4	2	7C-95	78-12	-	-
5	3	7C-96	78-13	-	-
6	4	7C-97	78-14	-	-
7	5	7C-98	78-15	-	-
8	6	7C-99	78-16	-	-
9	7	7C-9A	78-17	-	-
10	8	7C-9B	78-18	-	-
11	9	7C-9C	78-19	-	-
12	0	7C-93	78-10	-	-
13	DIMMER	78-BA	78-BA	78-BA	78-BA
14	SLEEP	78-4F	78-4F	78-4F	78-4F
15	BASS	78-A7	78-A7	78-A7	78-A7
16	TREBLE	78-A6	78-A6	78-A6	78-A6
17	NIGHT	78-8A	78-8A	78-8A	78-8A
18	REPEAT	7C-A3	7C-81	-	-
19	STOP	7C-85	78-B3	-	7C-85
20	PROG	7C-A0	78-B2	-	-
21	REPEAT A-B	7C-A4	-	-	-
22	PAUSE	7C-83	78-82	-	7C-83
23	RANDOM	7C-A1	78-83	-	7C-A1
24	SKIP (-)	7C-B9	78-1C	-	7C-B9
25	PLAY	7C-82	-	-	7C-82
26	SKIP (+)	7C-BA	78-1B	-	7C-BA
27	ON SCREEN	7C-A6	-	-	-
28	CURSOR UP	7C-B4	78-B1	-	7C-B4
29	MENU	7C-B2	-	-	-
30	CURSOR LEFT	7C-B5	78-A9	-	7C-B5
31	CURSOR ENTER	7C-B8	-	-	7C-B8
32	CURSOR RIGHT	7C-B6	78-AA	-	7C-B6
33	SET UP	7C-AC	-	-	-
34	CURSOR DOWN	7C-B3	78-B0	-	7C-B3
35	TOP MENU/RETURN	7C-B1	-	-	-
36	AREA	78-21	78-21	78-21	78-21
37	DIRECT	78-50	78-50	78-50	78-50
38	VOLUME (+)	78-1E	78-1E	78-1E	78-1E
39	MODE	78-22	78-22	78-22	78-22
40	ENHANCER	78-CB	78-CB	78-CB	78-CB
41	VOLUME (-)	78-1F	78-1F	78-1F	78-1F
42	SURROUND	78-C6	78-C6	78-C6	78-C6
43	DVD/CD	78-4A	78-4A	78-4A	78-4A
44	MUTE	78-9C	78-9C	78-9C	78-9C
45	AUX	78-DE	78-DE	78-DE	78-DE
46	TUNER	78-4B	78-4B	78-4B	78-4B
47	USB	78-BC	78-BC	78-BC	78-BC
48	SUBTITLE	7C-AA	-	-	-
49	ANGLE	7C-AE	-	-	-
50	ZOOM	7C-D7	-	-	-
51	AUDIO	7C-AD	-	78-A5	-

## ● PANELS

### ▼ R, K, A, L models



### ▼ G, F models

